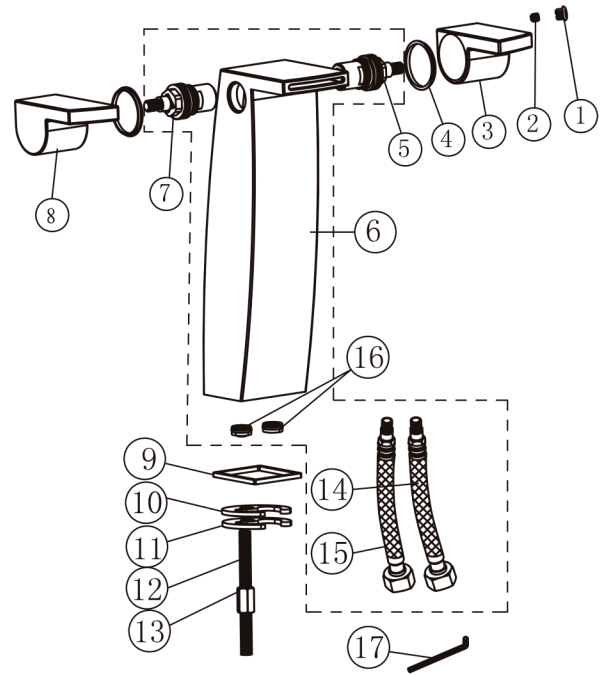




DIAGRAM NUMBER	DAX SKU	TITLE DESCRIPTION
1	40UF70002NC	Cap
2	40LD90001NT	M5 screw
3	40HV60033CPSYFAM114	Handle
4	40DV70013NT	Washer
5	40KD50050NT	G1/2 cartridge
6	40BB30002CP-59	Body
7	40KD50051NT	G1/2 cartridge
8	40HV60032CPSYFAM114	Handle
9	40DP80112NT	Washer
10	40DD80004NT	C Rubber washer
11	40DD00006NT	C Washer
12	40LB40002NT	Fixation rod
13	40NG40259NT	Fixation nut
14	40GJ90063CP	Flexible hose
15	40GJ90062CP	Flexible hose
16	40XA70022NT	Restictor
17	40PF90007NC	2.5 Allen key



For parts or sale requirements please contact our customer service department:

 CS@daxib.com

 1 888 685 8236