

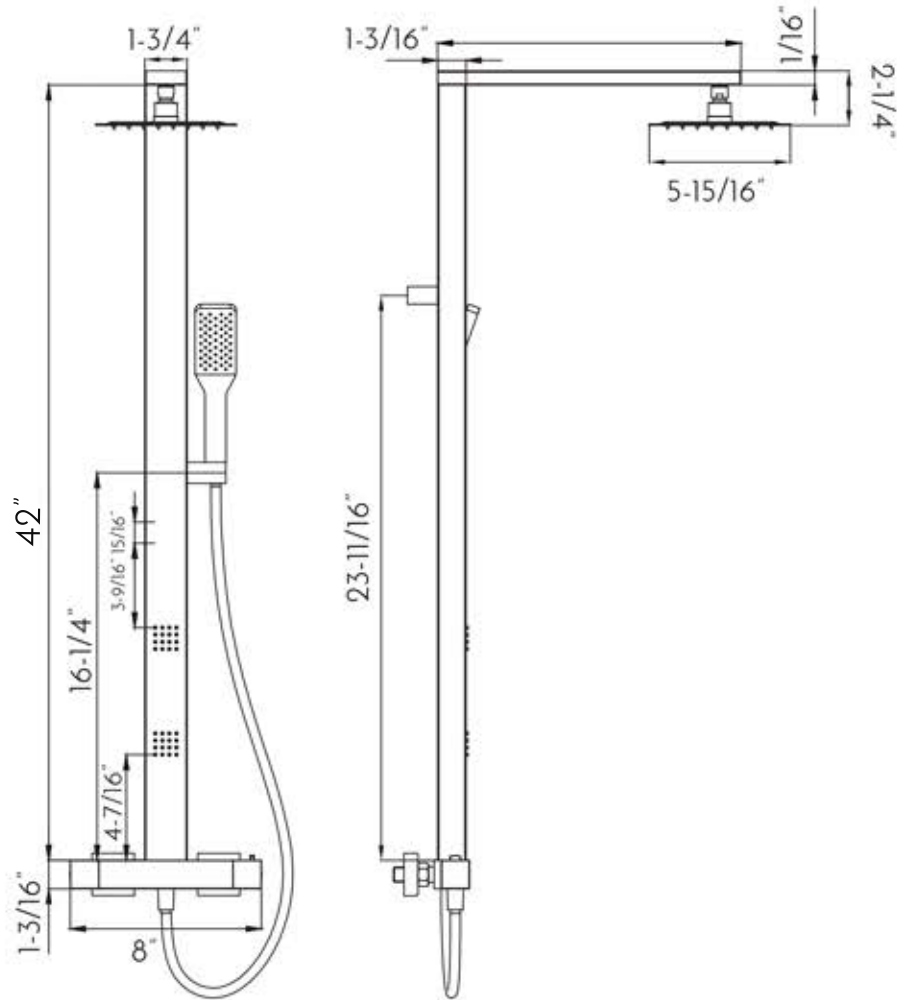


DAX-019-CR



SHOWER SYSTEMS **SERIES**





FEATURES

- Shower Column
- Thermostatic Mixer
- Body Jets
- Hand Shower
- Stainless Steel
- Chrome Finish





SHOWER SYSTEM **DAX-019-CR**

MODEL	DAX-019-CR
UPC APPROVED	Yes
ANSI APPROVED	No
ASME APPROVED	No
BODYSPRAYS INCLUDED	Yes
NUMBER OF BODYSPRAYS	3
HAND SHOWER FLOW RATE (GPM)	2.5
SHOWER HEAD FLOW RATE (GPM)	2.5
ROUGH-IN VALVE FLOW RATE (GPM)	3.8
HANDLE MATERIAL	Brass
HANDLE STYLE	On Panel
HAND SHOWER INCLUDED	Yes
HAND SHOWER HOSE INCLUDED	Yes
HAND SHOWER HOSE LENGTH	1.5M
INSTALLATION TYPE	Wall Mounted
MATERIAL	Stainless Steel 304 & Brass
PRESSURE BALANCE	No
SCALD GUARD	Yes
SHOWER ARM REACH	No
SHOWER HEAD	Yes
SHOWER HEAD HEIGHT	2.2M
SHOWER HEAD SHAPE	Square
SHOWER HEAD WIDTH	7-7/8 x 7-7/8
SLIDE BAR INCLUDED	No
SPRAY PATTERN	Rain & Hand Shower
THERMOSTATIC	Yes
VALVE INCLUDED	French Venet
VALVE TYPE	Thermostatic
WATERSENSE CERTIFIED	Yes
WALL ELBOW DIMENSION	NPSM 1/2" male
FINISH	Mirror/Chrome

For parts or sale requirements please contact our customer service department:

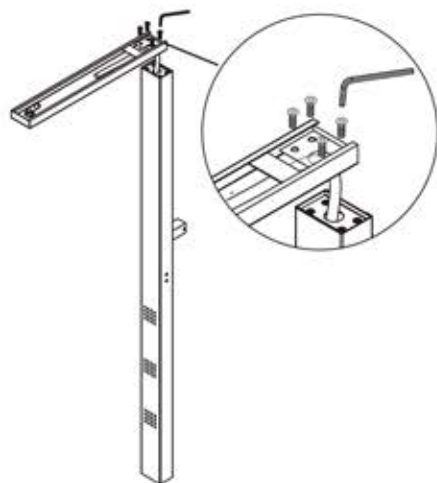
 CS@daxib.com

 1 888 685 8236

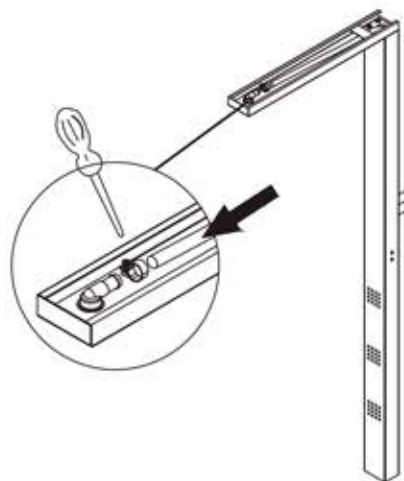




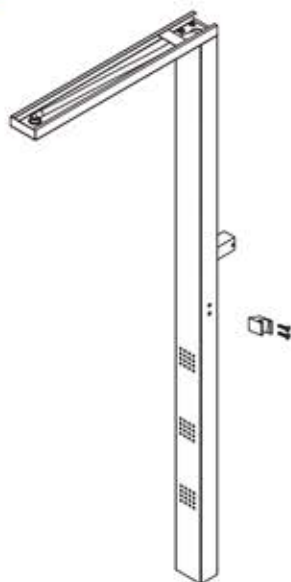
01



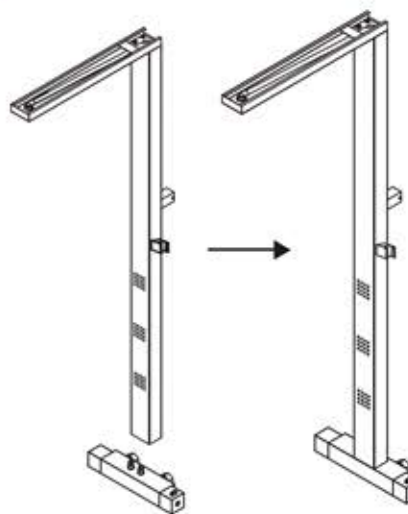
02



03

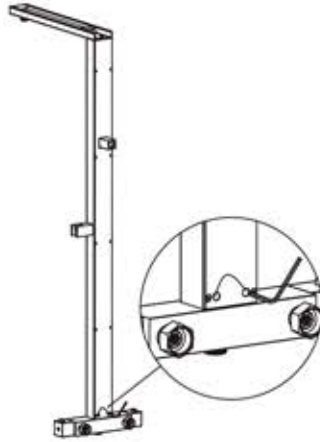


04

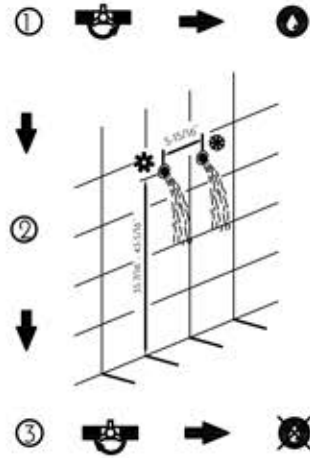




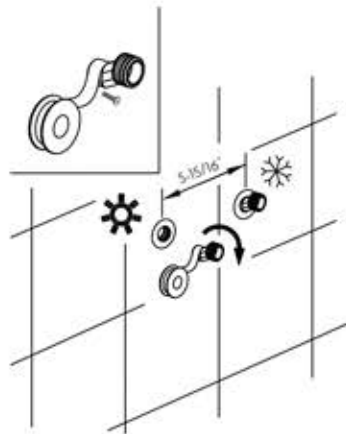
05



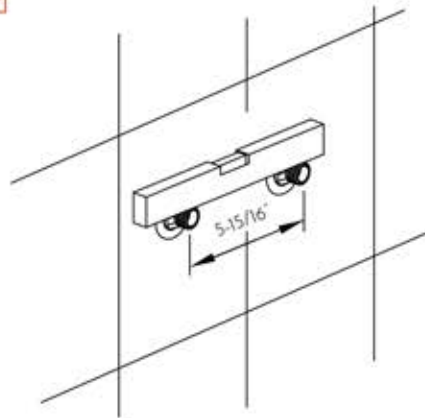
06



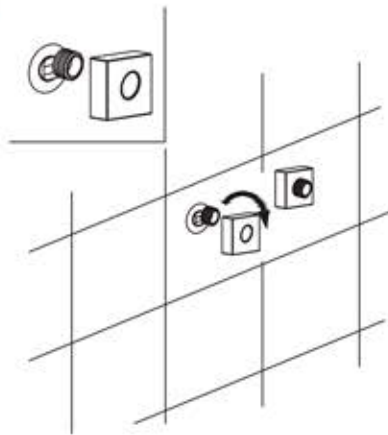
07



08



09



10

