

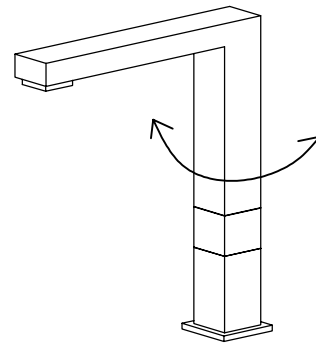
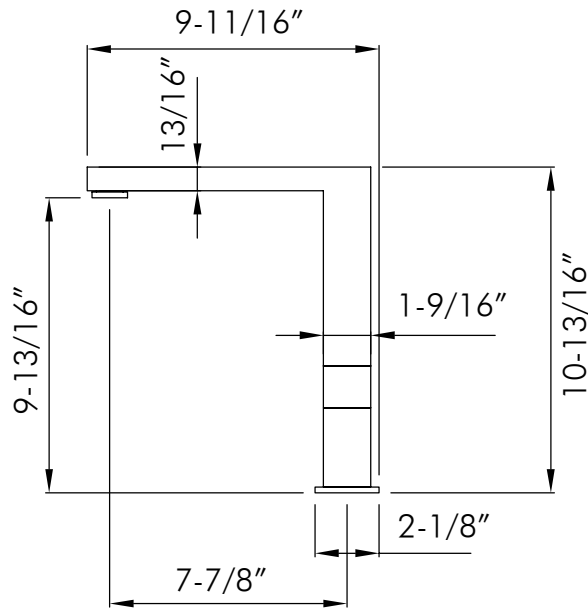


DAX-017-01



KITCHEN FAUCETS SERIES





## FEATURES

- Fixed shower head
- Brushed stainless steel finish
- 304 stainless steel body casting
- Single sprayer
- Ceramic cartridge
- Flow rate 2.2 GPM
- Height 10-13/16"
- Installation hole 1-3/8"
- Water lines and mounting parts included





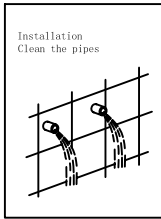
**KITCHEN FAUCET DAX-017-01**

MODEL	DAX-017-01
ANSI APPROVED	NO
ASME APPROVED	NO
WATERSENSE CERTIFIED	NO
NSF APPROVED	Passed
CONNECTION SIZE	M34
FAUCET HOLE SIZE	1-3/8"
FAUCETS HOLE	1 hole
FAUCET TYPE	Contemporary kitchen faucet
FLOW RATE (GPM)	2.2 gpm
HANDLE STYLE	Lever handle
NUMBER OF HANDLES	1
HOSE LENGTH	American 3/8 inlet hose 19-11/16"
INSTALLATION TYPE	Deck mounted
MATERIAL	Stainless steel 304 grade
FINISH	Brushed Stainless Steel
PULL OUT SPRAY	NA
PRE-RINSE	NO
SIDESPRAY	Side
SPOUT REACH	3" - 5"
SPOUT SWIVEL	360° SWIVEL
SPOUT TYPE	Standard spout
CARTRIDGE TYPE	Ceramic
MAX DECK THICKNESS	0 - 1-3/8"
INCLUDED COMPONENTS	Water lines and mounting parts included

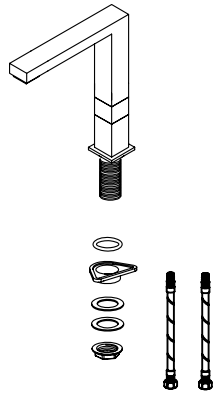




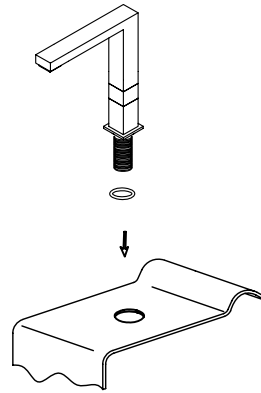
01



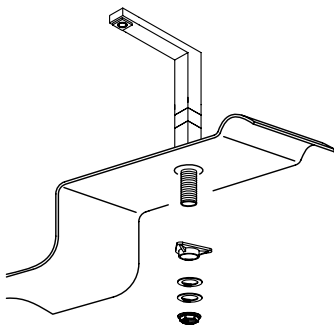
02



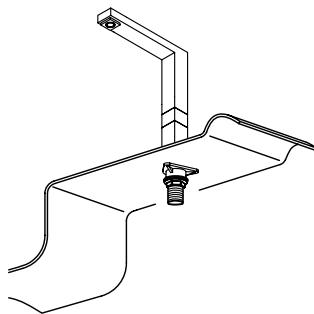
03



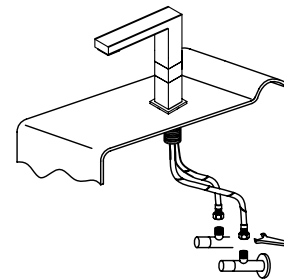
04



05



06



07

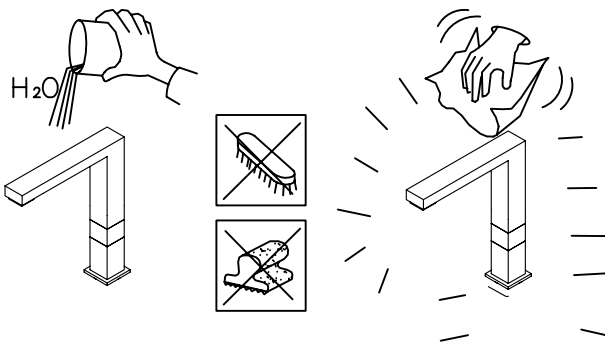
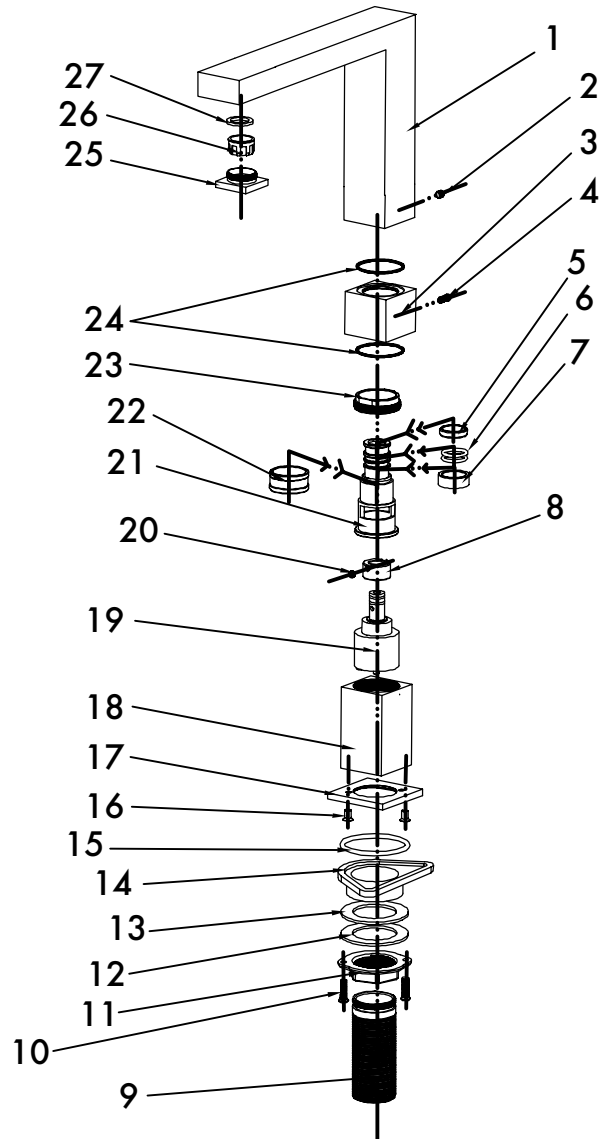




DIAGRAM NUMBER	DAX SKU	TITLE DESCRIPTION
1	0685	Square tube
2		M5 * 8 Hexagon set screws
3	0682	Seven-word twist
4	0870	M4 machine wire
5	0175	Plastic ring
6		O plastic 21.3 * 16 * 2.65
7	0172	Plastic ring
8	0691	Spool Drive Gear
9	0170B	M34 dental tube
10		Phillips head stainless steel machine wire M5x16
11	0018	Large nut M34
12	0013	Stainless steel flat pad pieces
13	0017	Cottage base flat glue
14	0545	Bottom fixed plastic seat
15		O gum 55.3* 48.3 * 4
16		M5x8 crosshead head wire
17	0688	Square base
18	0681	The seven-square faucet body
19		KEROX-FT35 (O-ring spacer)
20		M5x5 with six tightening screws
21	0689	Seven-character square faucet head
22	0692	Plastic ring
23	0690	Gland
24	0871	Plastic gasket
25	0684	24 square Tsui
26		Newpa 24 mesh mouth
27		Flat rubber 21*15*2



For parts or sale requirements please contact our customer service department:

 [CS@daxib.com](mailto:CS@daxib.com)

 1 888 685 8236

