



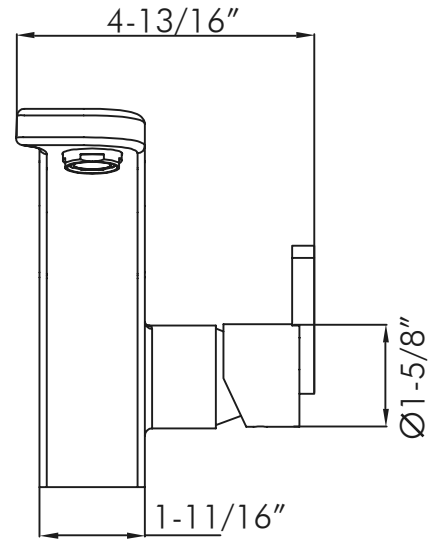
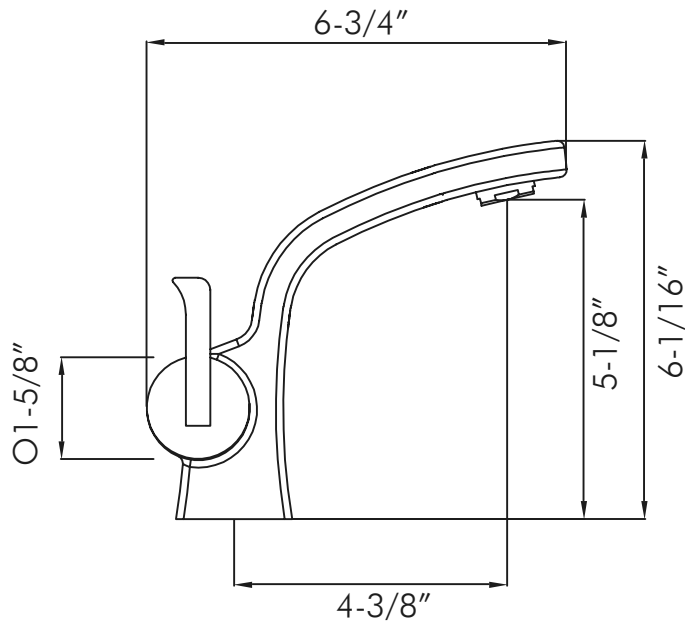
DAX-010-05



BATHROOM FAUCETS SERIES



www.daxib.com



FEATURES

- Single Lever
- Ceramic cartridge
- Stainless steel body
- Flow rate 1.5 GPM
- Installation hole 1-3/8"
- Brushed Stainless Steel finish
- Hoses and mounting parts included
- Pop up drain not included (available)





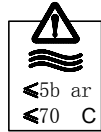
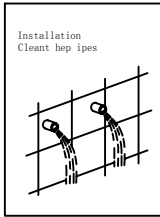
BATHROOM FAUCET **DAX-010-05**

MODEL	DAX-010-05
UPC APPROVED	PASSED THE CUPC TESTS BUT WE HAVEN'T APPLIED TO CUPC CERTIFICATE
ANSI APPROVED	NO
ASME APPROVED	NO
WATERSENSE CERTIFIED	NO
NSF APPROVED	PASSED
CONNECTION SIZE	M34
FAUCET HOLE SIZE	1-3/8"
FAUCETS HOLE	1 hole
FAUCET TYPE	Contemporary basin faucet
FLOW RATE (GPM)	1.5 GPM
HANDLE STYLE	Lever handle
NUMBER OF HANDLES	1
INSTALLATION TYPE	Deck mounted
HEIGHT	6-1/8"
HOSE LENGTH	AMERICAN 3/8 INLET HOSE 19-11/16"
MATERIAL	Stainless steel
FINISH	Brushed Stainless steel
SIDESPRAY	Side
SPOUT HEIGHT	6-1/16"
SPOUT REACH	3" - 5"
SPOUT SWIVEL	Fixed
SPOUT TYPE	Standard spout
CARTRIDGE TYPE	Ceramic
POP-IP INCLUDED	NO
MAX DECK THICKNESS	0" - 1-3/8"

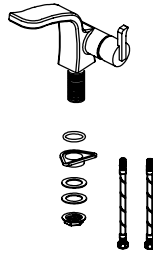




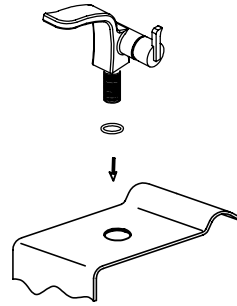
01



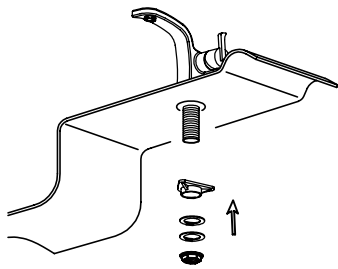
02



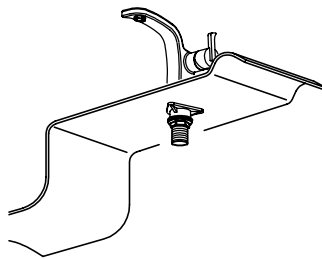
03



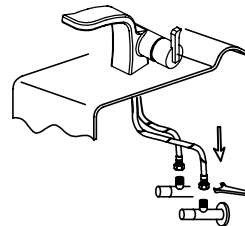
04



05



06



07

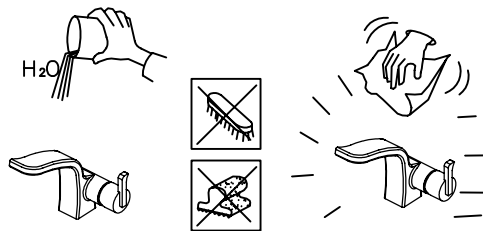
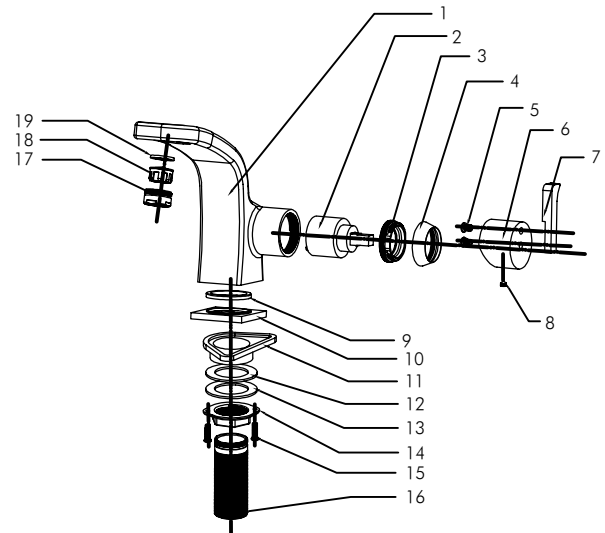




DIAGRAM NUMBER	DAX SKU	TITLE DESCRIPTION
1		Square faucet body
2		Kerox brand cartridge
3		Fixing base
4		Decorate Cover
5		Machine screws M5 * 6
6		Faucet handle cover
7		Square faucet handle
8		M5x5 grub screw
9		Washer 40 * 32 * 3.5
10		Square inner base
11		Bottom plastic fixing base
12		Sink bottom washer
13		Stainless steel punching washer
14		Screw nuts M34
15		Stainless steel machine screw
16		Faucet pipe
17		Outlet nozzle
18		Neopren brand aerator
19		Washer 21*15*2



For parts or sale requirements please contact our customer service department:



CS@daxib.com



1 888 685 8236

