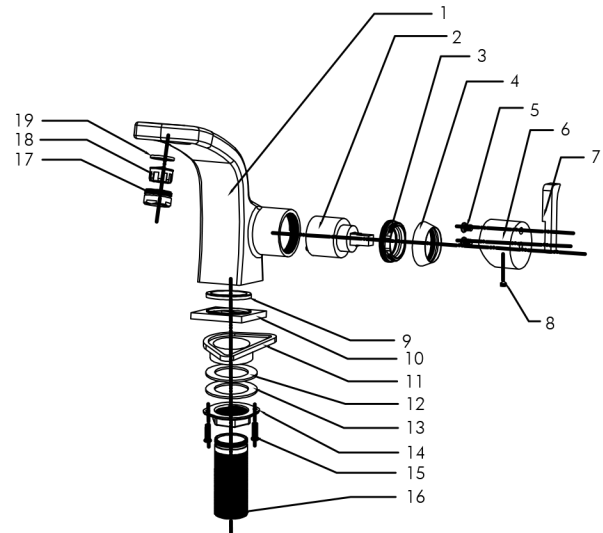




DIAGRAM NUMBER	DAX SKU	TITLE DESCRIPTION
1	40201	Square faucet body
2	40202	Kerox brand cartridge
3	40203	Fixing base
4	40204	Decorate Cover
5	40205	Machine screws M5 * 6
6	40206	Faucet handle cover
7	40207	Square faucet handle
8	40208	M5x5 grub screw
9	40209	Washer 40 * 32 * 3.5
10	40210	Square inner base
11	40211	Bottom plastic fixing base
12	40212	Sink bottom washer
13	40213	Stainless steel punching washer
14	40214	Screw nuts M34
15	40215	Stainless steel machine screw
16	40216	Faucet pipe
17	40217	Outlet nozzle
18	40218	Neopren brand aerator
19	40219	Washer 21*15*2



For parts or sale requirements please contact our customer service department:

 CS@daxib.com

 1 888 685 8236

