

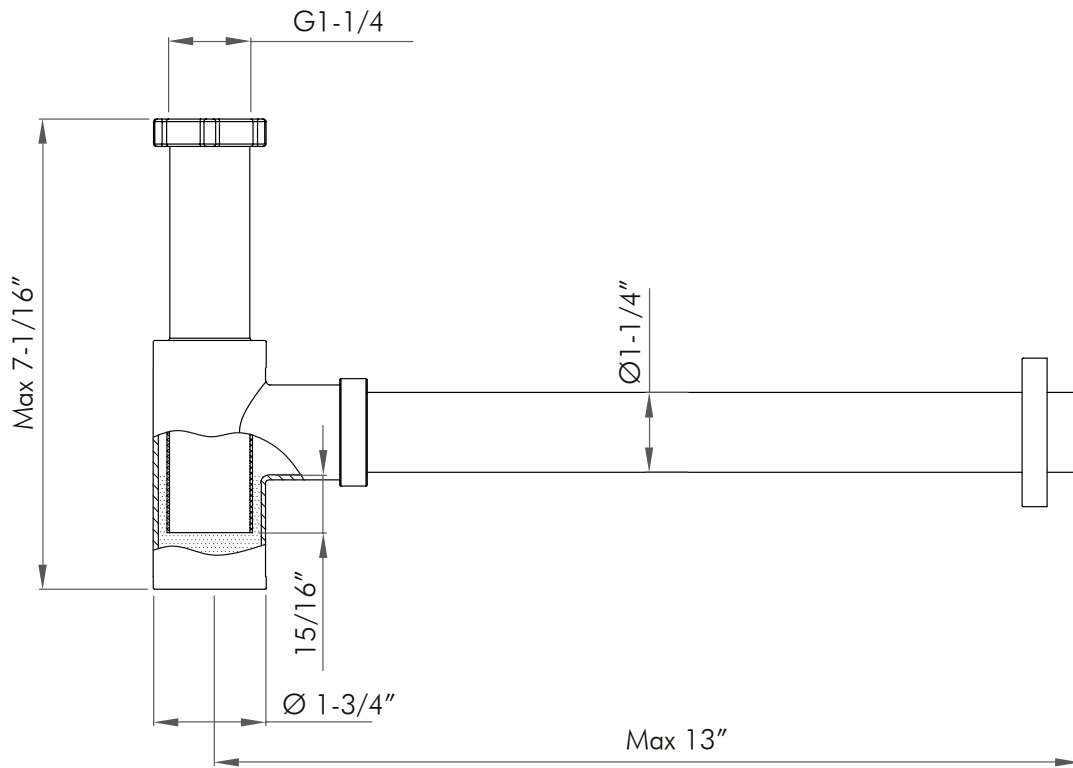


DAX-010-01-CR



SINK TRAPS SERIES





FEATURES

- 304 stainless steel body
- Chrome finish





SINK TRAPS **DAX-010-01-CR**

MODEL	DAX-010-01-CR
MATERIAL	stainless steel 304 grade
DEPTH	N/A
PRODUCT WEIGHT	1.82lbs
FINISH	chrome
ITEMS INCLUDED	some screw accessories
INSTALLATION TYPE	wall mounted



For parts or sale requirements
please contact our customer service department:



CS@daxib.com



1 888 685 8236