

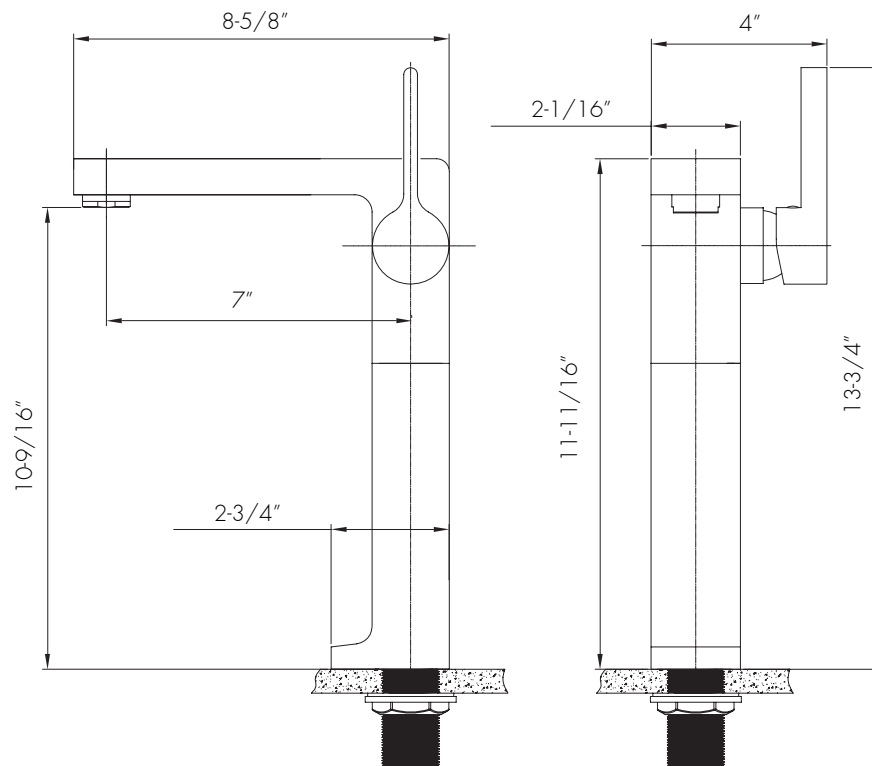


DAX-0074



BATHROOM FAUCETS SERIES





## FEATURES

- Single lever
- Vessel installation
- Ceramic cartridge
- Brass body
- Flow rate 1.5 GPM
- Installation hole 1-3/8"
- Chrome finish
- Hoses and mounting parts included
- Pop up drain not included (available)





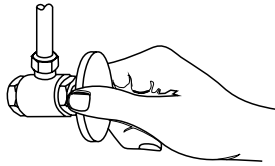
BATHROOM FAUCET **DAX-0074**

MODEL	DAX-0074-CR
UPC APPROVED	NO
ANSI APPROVED	NO
ASME APPROVED	NO
WATERSENSE CERTIFIED	NO
NSF APPROVED	NO
CONNECTION SIZE	M6x1 mounting rod
FAUCET HOLE SIZE	Ø1-3/8"
FAUCETS HOLE	Single hole
FAUCET TYPE	Single handle high basin mixer
FLOW RATE (GPM)	1.5 GPM
HANDLE STYLE	Zinc alloy Die Casting
NUMBER OF HANDLES	1
HEIGHT	11-11/16"
HOSE LENGTH	19-11/16"
INSTALLATION TYPE	Mounting rod and nut
MATERIAL	Brass
FINISH	Chrome
SIDESPRAY	NO
SPOUT HEIGHT	10-9/16"
SPOUT REACH	8-5/8"
SPOUT SWIVEL	NO
SPOUT TYPE	Cast spout
CARTRIDGE TYPE	Ø1-3/8"
POP-IP INCLUDED	NO
MAX DECK THICKNESS	Do not apply



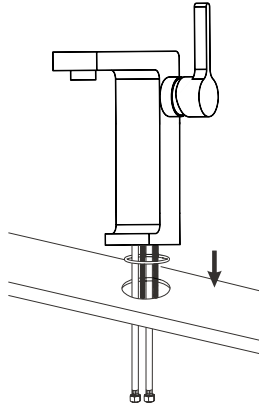


01



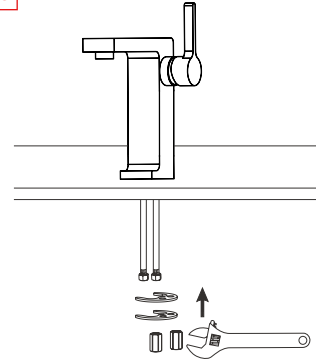
You should clean all the dirt from valve outlets. Turning off the water supply valves. This is usually found near the water meter. If you are replacing an existing faucet, remove the faucet from the sink and clean the sink surface thoroughly.

02



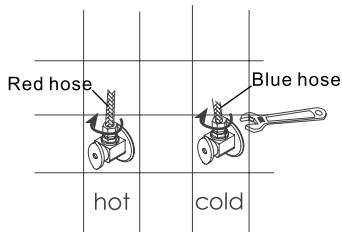
Drill a  $\varnothing 1\text{-}3/8\text{'}$  hole (2) in sink (1). Install the shank (3) into the faucet body (4). And screw the firmly. The put O-ring (5) into base groove and insert the them trough the hole (2).

03



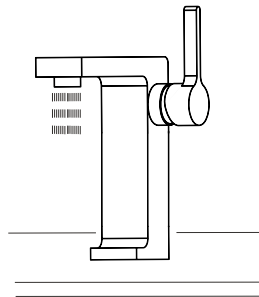
Put all hose through the plastic gasket (6) the through the metal gasket (7), finally screw the nut fitting (8), tight in with screw (9).

04



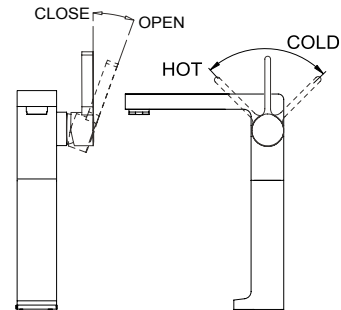
Water-supplying value (left to hot water and right to cold).

05



Check every joint to make sure it has been connected well. Turn on the water to check the leakage.

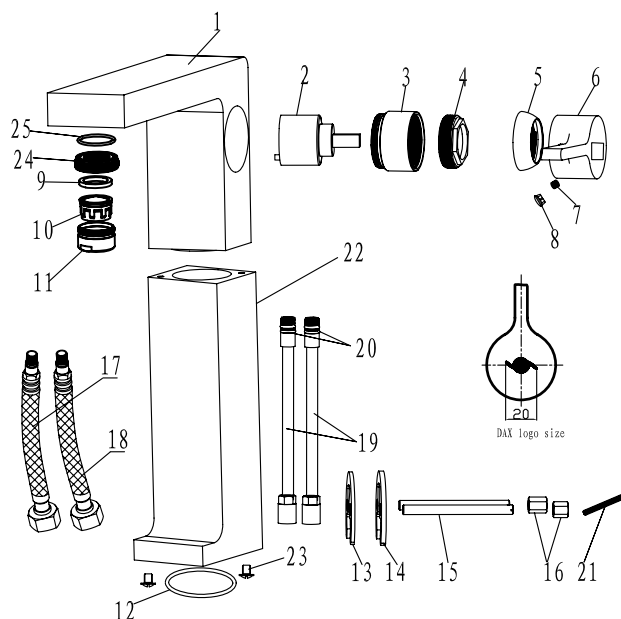
06



Pull the handle rightward in horizontal to turn on the faucet. Leftward in horizontal line to turn off. Move the hand counterclock wise from cold to hot.



DIAGRAM NUMBER	DAX SKU	TITLE DESCRIPTION
1	40BA10014CP-59	Body
2	40KS70006N	Cartridge Sleeve
3	40MR40095CP	Sleeve
4	40NY40020NT	Cartridge Nut
5	40FB40027CP	Cap
6	40HV60005CP	Handle
7	40LD90001NT	M5 Screw
8	40UF70038CP	Pot Cold Label
9	40DP80013NT	Rubber Washer
10	40AX70043NT	Aerator
11	40AK4001CP	Aerator Shell
12	40RH802243NT-NSF	O-Ring
13	40DD80016NT	Rubber Washer
14	40DD00005NT	C Rubber Washer
15	40LA40007NT	Fixation Nut
16	40NG40095NT	Fixation Nut
17	40GJ90063CP	Flexible Hose
18	40GJ90062CP	Flexible Hose
19	40CH30057HJ-LF	Copper Tube
20	40RH80121NT-NSF	O-Ring
21	40PF90007NC	2,5 Allen Key
22	40MQ10001CP	Sleeve
23	40LC90022NT	Screw
24	40RH80113NT-NSF	O-Ring
25	40JL41807NO	Connector



For parts or sale requirements please contact our customer service department:

 [CS@daxib.com](mailto:CS@daxib.com)

 1 888 685 8236