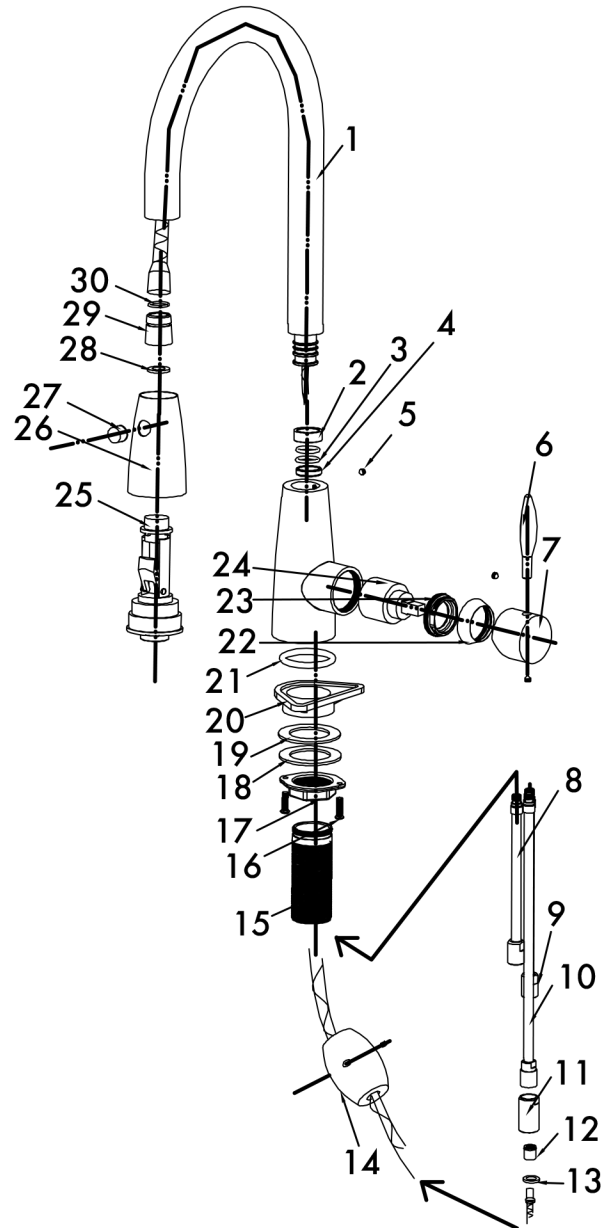




DIAGRAM NUMBER	DAX SKU	TITLE DESCRIPTION
1	0190	30 * 1.5-560 with sewn
2	0172	Positioning plastic ring
3		O plastic 21.3 * 16 * 2.65
4	0175	Plastic ring
5		M5 * 5 Hexagon set screws
6	0604	Half the round handle
7	0173	Handle
8	0035	T-type pull the faucet Inlet pipe 150 long
9	0034	T-type pull the faucet Inlet pipe 115 long
10	0037	T-type pull the faucet Inlet pipe 225 long
11	0187	Fast nuts
12		Check valve 30.4010.0. 0002 DW10 DN6
13		Flat rubber 14 * 8.5 * 2
14		Weight down 600g
15	0170B	M34 tube
16		Phillips head stainless steel machine wire
17	0018	Large nuts M34
18	0013	Stainless steel punch flat pad
19	0017	Flat plastic base
20	0545	Bottom fixed plastic seat
21		Gum * 37.5 * 48 O 5.25
22	0166	Decorated cover
23	0165	Gland
24		Spool K35-A
25	0677B	Stainless steel dual function shower
26		Stainless steel bulge shell
27	0 579	Showers by grain
28		Flat rubber * 2 19 * 11
29	0 189	Hose short sets
30		O gum 18.6 * 1.8 * 15



For parts or sale requirements please contact our customer service department:

CS@daxib.com

1 888 685 8236

