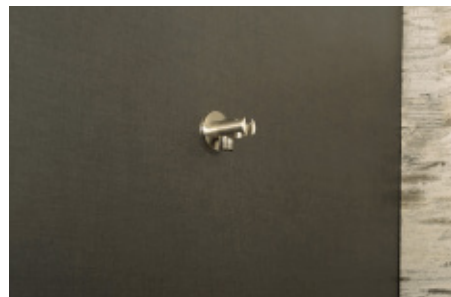
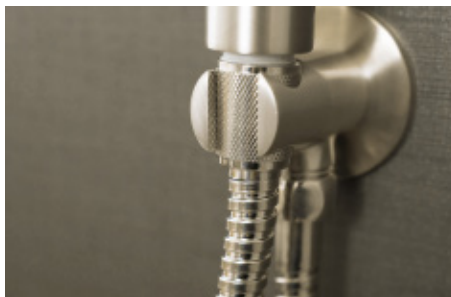


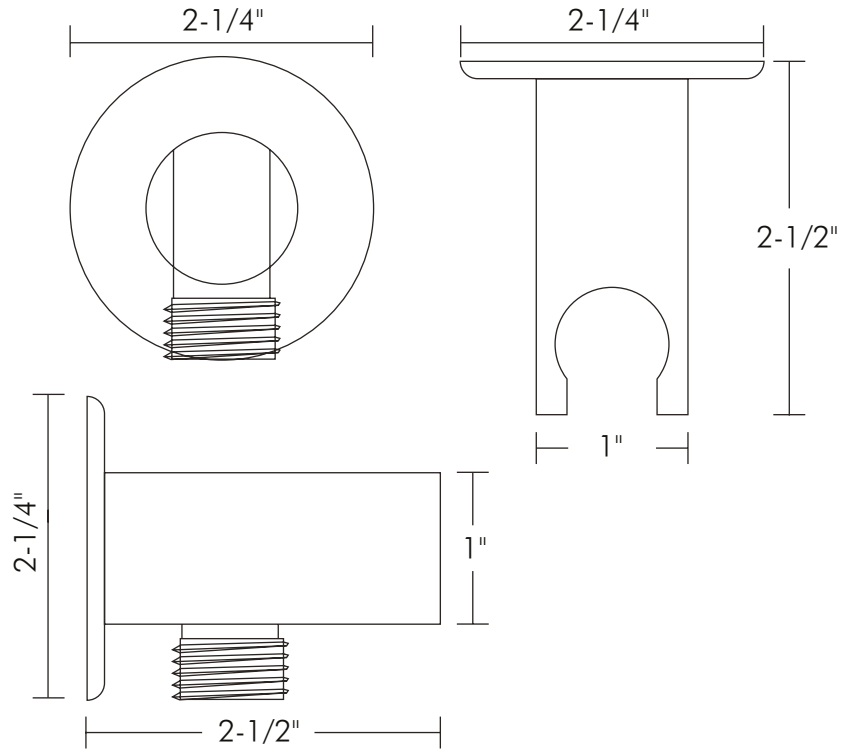


D-B52-BN



HAND SHOWER HOLDERS **SERIES**





## FEATURES

- Handshower holder
- Brass body
- Water connection
- Brushed nickel finish

