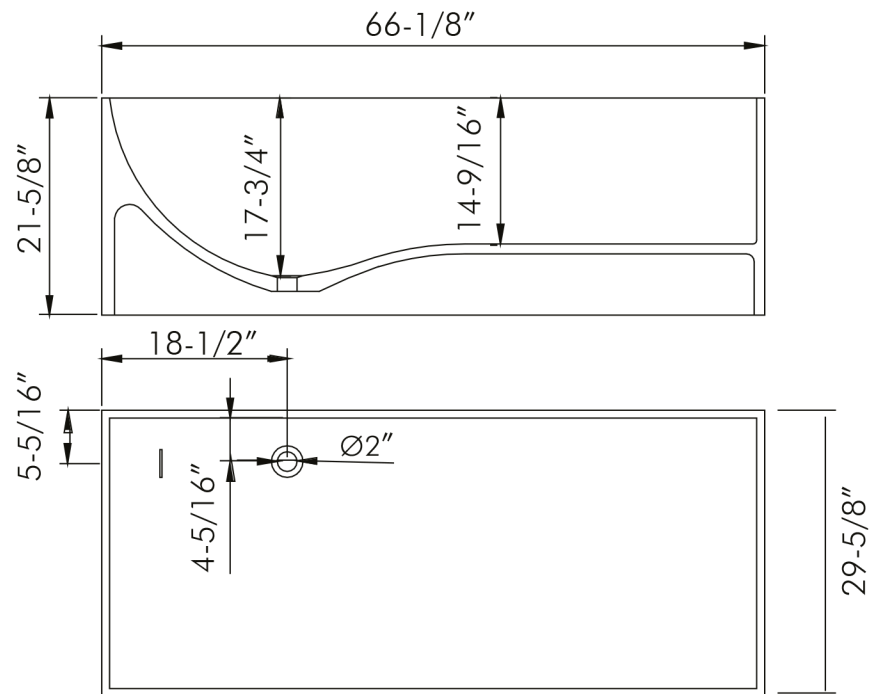




BT-AB-B029



BATHTUBS **SERIES**



FEATURES

- Freestanding installation
- Solid Surface
- White matte finish
- Off center drain
- Overflow
- Overflow drain included
- Drain not included
- Size W 66-1/8" x H 21-5/8" x D 29-5/8"





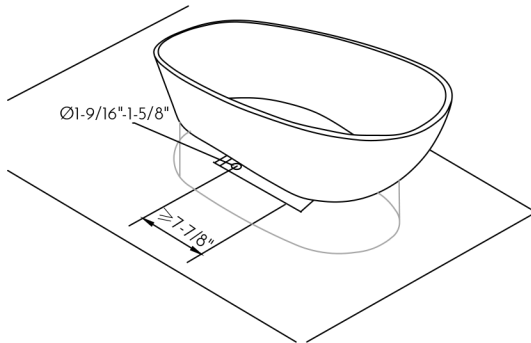
BATHTUB BT-AB-B029

MODEL	BT-AB-B029
ACCEPTS DECK MOUNT FAUCET	NO
HEIGHT	21-5/8"
DEPTH	29-5/8"
WIDTH	66-1/18"
MAXIMUM CAPACITY (GALLONS)	87 Gallons
DRAIN INCLUDED	YES
DRAIN PLACEMENT	Off center
FAUCET INCLUDED	NO
INSTALLATION TYPE	Freestanding
MATERIAL	Acrylic
TUB SHAPE	Rectangular
COLOR	White matte
OVERFLOW	YES
SLIP RESISTANT	YES
PRODUCT WEIGHT	507.06lbs



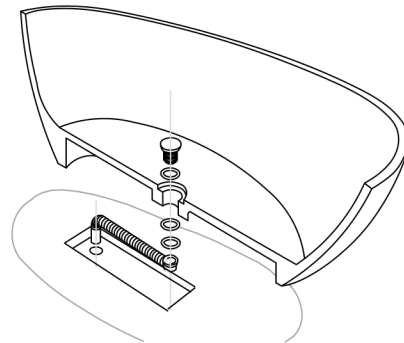


01



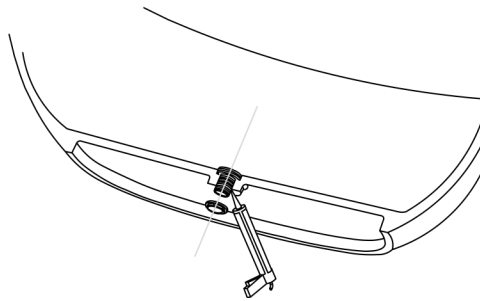
Designation of drain location

02



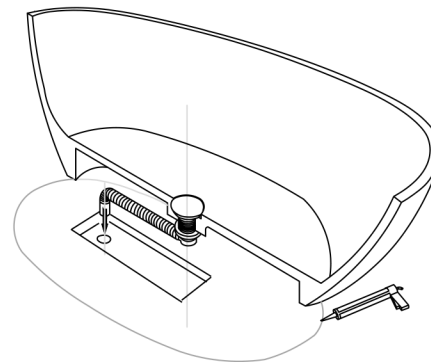
Install the drain and plumbing pipe and fixing of pop-up part

03



Align the drain to the expansion joint, apply silicone to between of them

04



Locate bathtub to the fixing place

For parts or sale requirements please contact our customer service department:

 CS@daxib.com

 1 888 685 8236