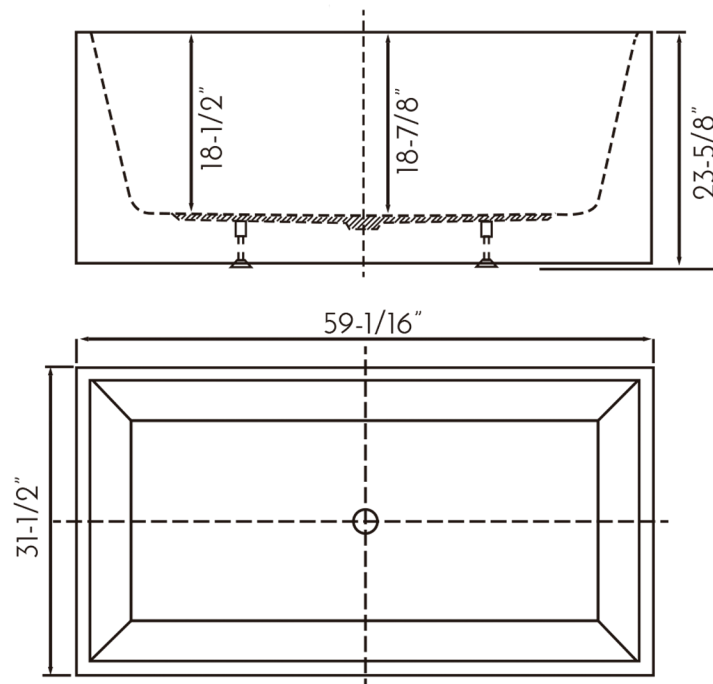




BT-8013A



BATHTUBS **SERIES**



FEATURES

- Freestanding installation
- Acrylic material
- White gloss finish
- Central Drain
- Overflow
- Overflow drain included
- Pop up drain Included
- Size W 59-1/16" x H 23-5/8" x D 31-1/2"



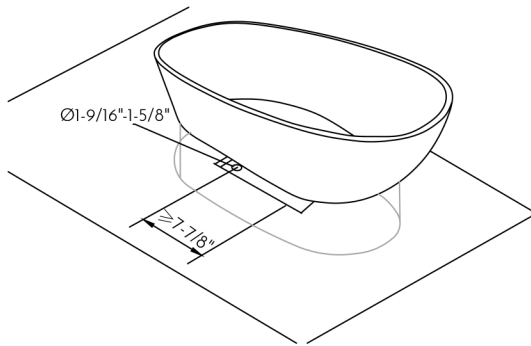


BATHTUB BT-8013A

MODEL	BT-8013A
ACCEPTS DECK MOUNT FAUCET	NO
HEIGHT	23-5/8"
DEPTH	31-1/2"
WIDTH	59-1/16"
MAXIMUM CAPACITY (GALLONS)	76.6
DRAIN INCLUDED	YES
DRAIN PLACEMENT	Central
FAUCET INCLUDED	NO
INSTALLATION TYPE	Freestanding
MATERIAL	Acrylic
TUB SHAPE	Rectangular
COLOR	White gloss
OVERFLOW	YES
SLIP RESISTANT	NO
PRODUCT WEIGHT	N.W 92.59 LBS. / G.W. 119.05 LBS.

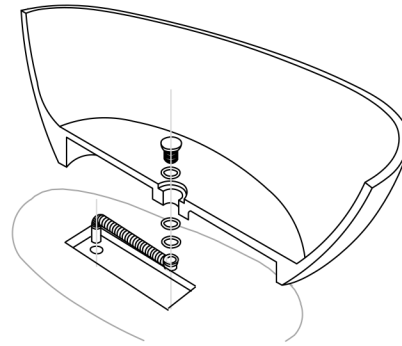


01



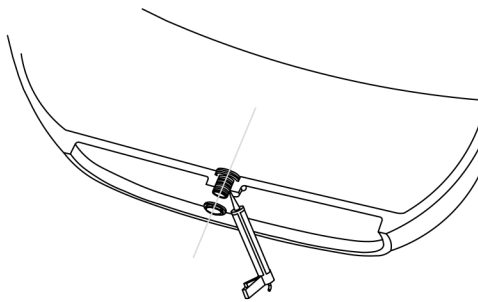
Designation of drain location

02



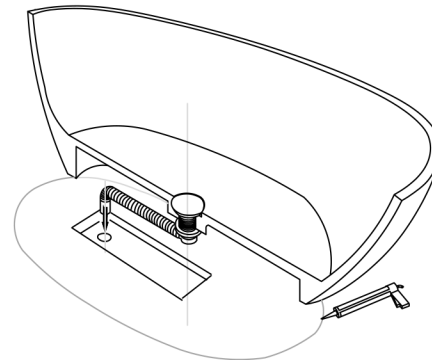
Install the drain and plumbing pipe and fixing of pop-up part

03



Align the drain to the expansion joint, apply silicone to between of them

04



Locate bathtub to the fixing place

For parts or sale requirements please contact our customer service department:



CS@daxib.com



1 888 685 8236