



BSN-CL12050A



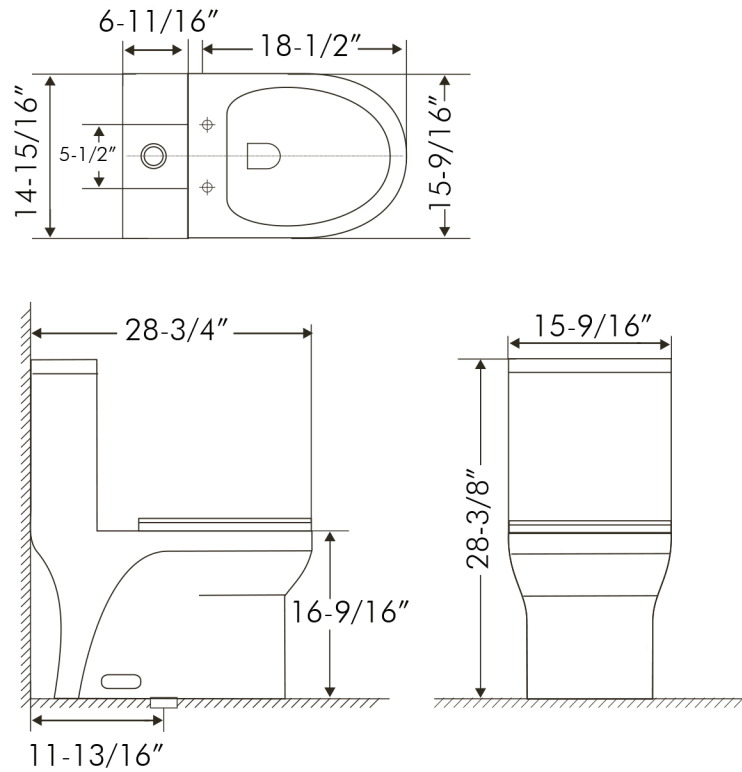
TOILETS **SERIES**



www.daxib.com



BSN-CL12050A



FEATURES

- Ceramic material
- White gloss finish
- Chrome flush buttons
- Soft close seat included
- Dual flush
- 1.06 - 1.6 GPF
- One piece construction
- Floor mount





TOILET BSN-CL12050A

MODEL	BSN-CL12050A
ADA	YES
BOWL HEIGHT (IN)	16-9/16"
BOWL SHAPE	ELONGATED
HEIGHT	28-3/8"
LENGTH	28-3/4"
WIDTH	15-9/16"
FLUSH TYPE	DUAL FLUSH
FLUSH VALVE SIZE	10-1/4"
GALLONS PER FLUSH	1.06 - 1.6 GPF
INSTALLATION TYPE	FLOOR MOUNT
MATERIAL	CERAMIC
COLOR	WHITE
SEAT INCLUDED	INCLUDE
TRIP LEVER PLACEMENT	NO
WATER AREA	5-1/2" * 6-5/16"
WATERSENSE CERTIFIED	YES
PRODUCT WEIGHT	109.1 LB
UPC APPROVED	YES

For parts or sale requirements please contact our customer service department:



CS@daxib.com

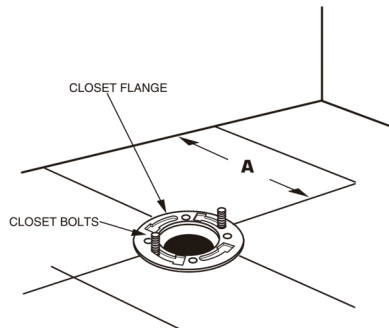


1 888 685 8236





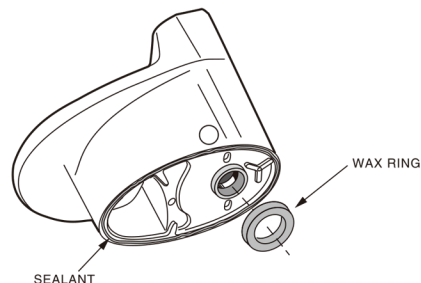
01



INSTALL CLOSET BOLTS

Install closet bolts in flange channel, turn 90°, and slide into place 6" (152 mm) apart and parallel to wall.

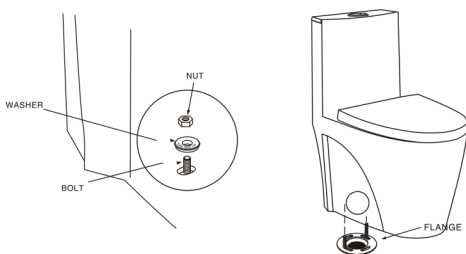
02



INSTALL WAX SEAL

Invert toilet on floor (cushion to prevent damage), and install wax ring evenly around waste flange (horn), with tapered end of ring facing toilet. Apply a thin bead of sealant around toilet base.

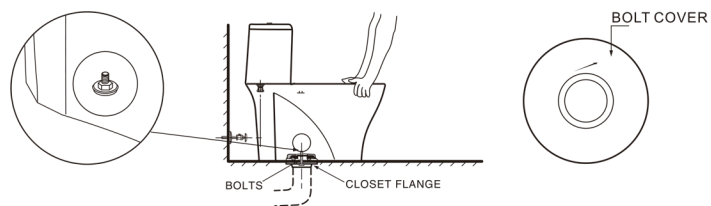
03



POSITION TOILET ON FLANGE

- a. Unplug floor waste opening and install toilet on closet flange so bolts project through mounting holes.
- b. Loosely install retainer washers and nuts.

04



INSTALL TOILET

- a. Position toilet squarely to wall and, with a rocking motion, press bowl down fully on wax ring and flange. Alternately tighten nuts until toilet is firmly seated on floor.

CAUTION: DO NOT OVERTIGHTEN NUTS OR BASE MAY BE DAMAGED!

- b. Adhere bolt covers to toilet.
- c. Smooth off the bead of sealant around base. Remove excess sealant.

05



Apply a mould-proof silicon between the floor and the toilet base.

06

Check the replenishing pipe and see if the water overflow pipe is inserted. Warning: if the overflow pipe is not inserted, the flushing may be affected.

07

Slowly open the water inlet and check the water tightness of each connection joint.

08

Install the toilet seat in accordance with the instructions.

For parts or sale requirements please contact our customer service department:

 CS@daxib.com

 1 888 685 8236

