



BSN-CL11002A

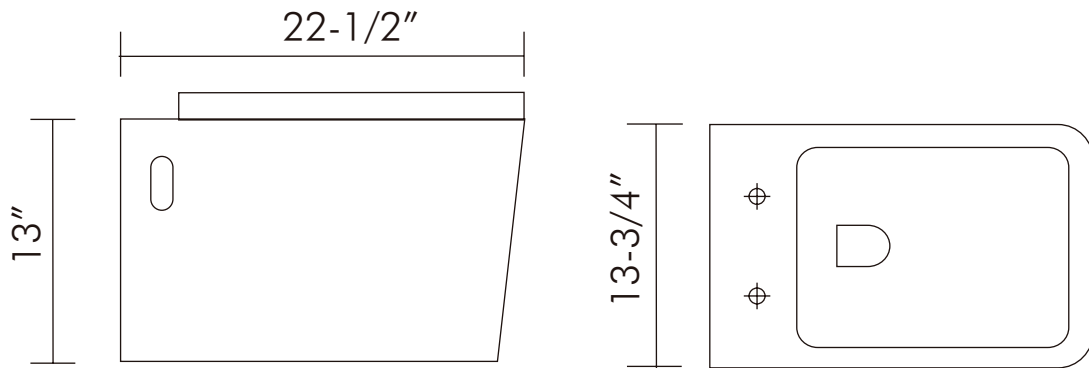


TOILETS **SERIES**





BSN-CL11002A



FEATURES

- Ceramic material
- White gloss finish
- Soft close seat included
- 1.06 - 1.6 GPF
- Wall Mount
- Concealed tank included (BSN-CL17010)





TOILET BSN-CL11002A	
MODEL	BSN-CL11002A
BOWL HEIGHT	13"
BOWL SHAPE	SQUARE
HEIGHT	13"
LENGHT	13-3/4"
WIDTH	22-1/2"
FLUSH TYPE	DUAL FLUSH (4/6L)
GALLONS PER FLUSH	1.06/1.6 GALLONS
INSTALLATION TYPE	WALL MOUNT
MATERIAL (IN)	CERAMIC
COLOR	WHITE
SEAT INCLUDED	INCLUDED
WATER AREA	110*90
WATERSENSE CERTIFIED	NO
INCLUDED COMPONENTS	SEAT COVER
PRODUCT WEIGHT	69.999 LB
UPC APPROVED	NO

For parts or sale requirements please contact our customer service department:



CS@daxib.com

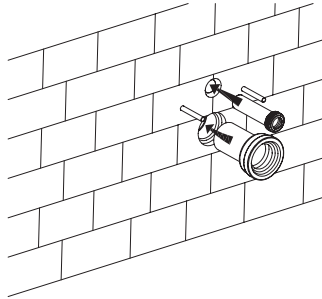


1 888 685 8236



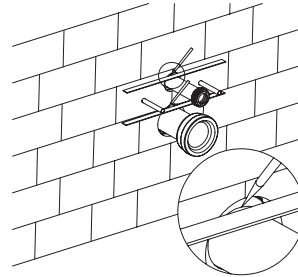


01



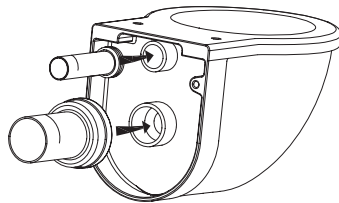
Fully insert the straight tube into de cistern flushing outlet and connecting pipe into discharging outlet.

02



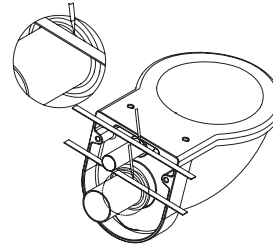
Draw the lines as above pictures.

03



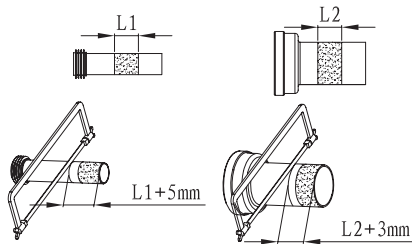
Apply lubricant on rubber washer of straight tube and connecting pipe, then insert into ceramic holes.

04



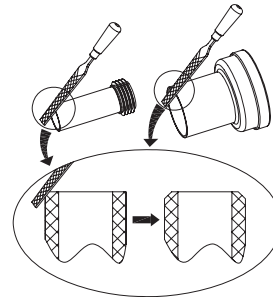
Draw the lines as above pictures.

05



As per drawing, L1 is distance between the two lines on straight tube. L2 is distance between the two lines on connecting pipe. Cut the straight tube and connecting pipe as per above drawing

06



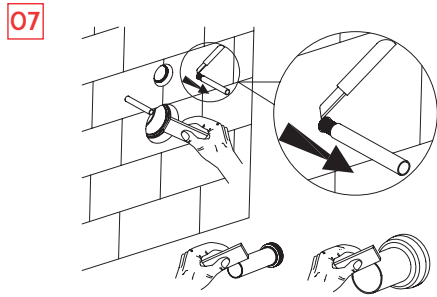
Polishing the cutting surface to get chamfer angle as per drawing and deburring.

For parts or sale requirements please contact our customer service department:

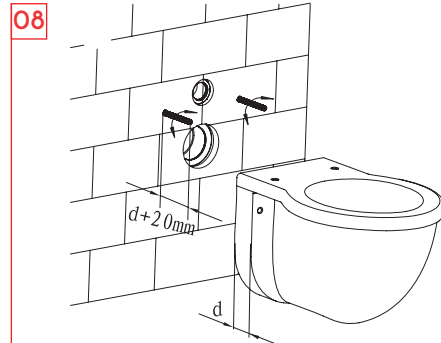
 CS@daxib.com

 1 888 685 8236

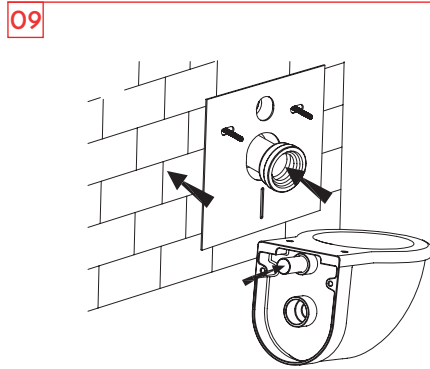




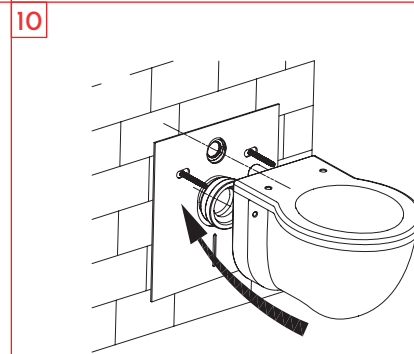
07
Cut the protection sleeve outside of the wall with a knife. Apply lubricant on joint surface of straight tube and connecting pipe.



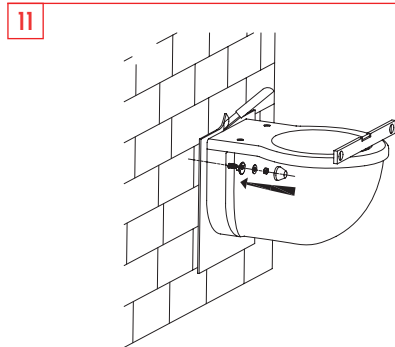
08
Adjust length of connecting bolt to be $d+20\text{mm}$.



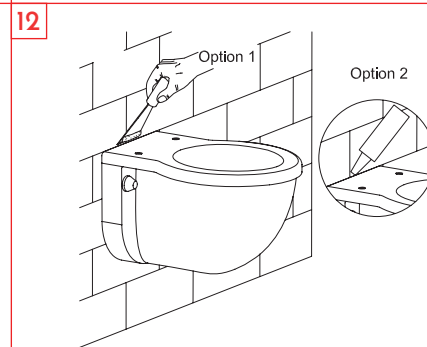
09
Firstly insert connecting pipe into discharging outlet and straight tube ceramic hole.



10
Mounting the ceramic bowl.



11
Screw the bowl and remove the extra pad.



12
Fill the gap with white cement or glass cement.

For parts or sale requirements please contact our customer service department:

 CS@daxib.com

 1 888 685 8236

