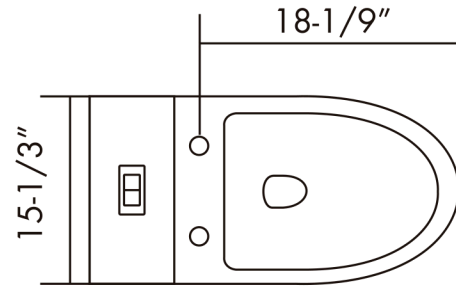
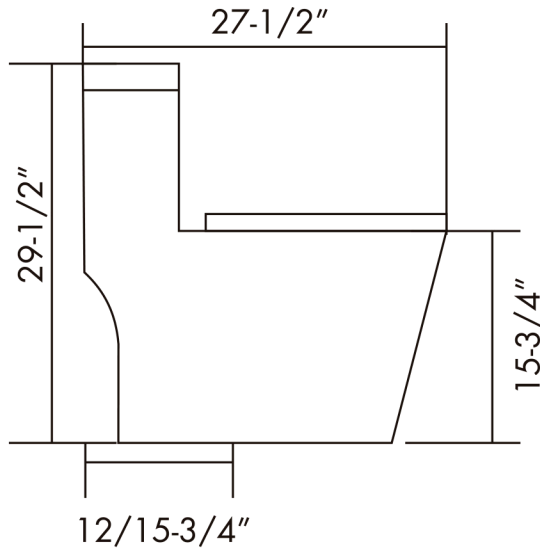




BSN-832

TOILETS **SERIES**





FEATURES

- Ceramic material
- White gloss finish
- Chrome flush buttons
- Soft close seat included
- Dual flush
- 1.06 - 1.6 GPF
- One piece construction
- Floor mount






TOILET BSN-832

MODEL	BSN-832
BOWL HEIGHT	15-3/4"
BOWL SHAPE	OVAL
HEIGHT	29-1/2"
LENGTH	27-1/2"
WIDTH	15-1/3"
FLUSH TYPE	DUAL FLUSH
GALLONS PER FLUSH	1.06 - 1.6 GPF
INSTALLATION TYPE	INSTALL FIXING TO THE FLOOR
MATERIAL (IN)	CERAMIC
COLOR	WHITE
SEAT INCLUDED	INCLUDE
TRIP LEVER PLACEMENT	NO
WATER AREA	5-1/2"X6-5/16"
WATERSENSE CERTIFIED	YES
PRODUCT WEIGHT	109.001 LB
UPC APPROVED	YES

For parts or sale requirements please contact our customer service department:

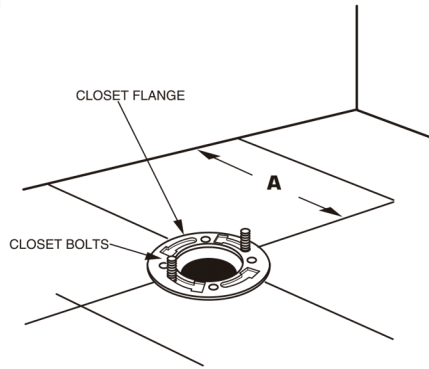
 CS@daxib.com

 1 888 685 8236





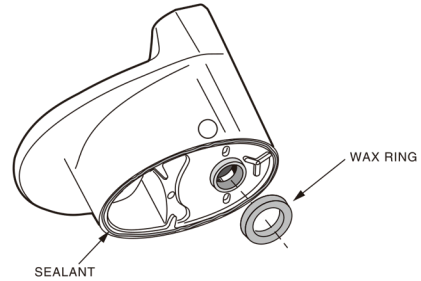
01



INSTALL CLOSET BOLTS

Install closet bolts in flange channel, turn 90°, and slide into place 6" (152 mm) apart and parallel to wall.

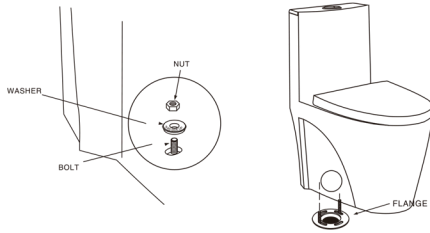
02



INSTALL WAX SEAL

Invert toilet on floor (cushion to prevent damage), and install wax ring evenly around waste flange (horn), with tapered end of ring facing toilet. Apply a thin bead of sealant around toilet base.

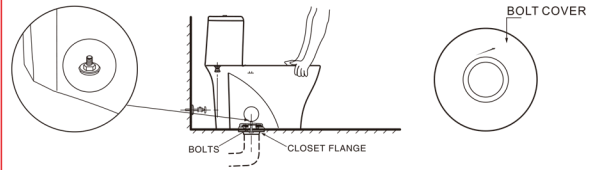
03



POSITION TOILET ON FLANGE

- a. Unplug floor waste opening and install toilet on closet flange so bolts project through mounting holes.
- b. Loosely install retainer washers and nuts.

04



INSTALL TOILET

- a. Position toilet squarely to wall and, with a rocking motion, press bowl down fully on wax ring and flange. Alternately tighten nuts until toilet is firmly seated on floor.

- ▲ **CAUTION: DO NOT OVERTIGHTEN NUTS OR BASE MAY BE DAMAGED!**
- b. Adhere bolt covers to toilet.
- c. Smooth off the bead of sealant around base. Remove excess sealant.

For parts or sale requirements please contact our customer service department:

 CS@daxib.com

 1 888 685 8236

