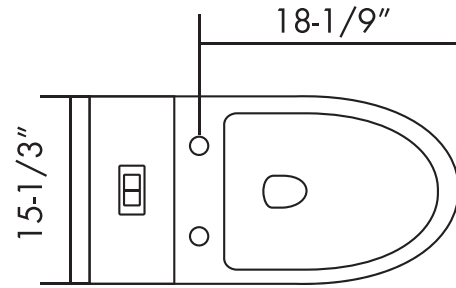
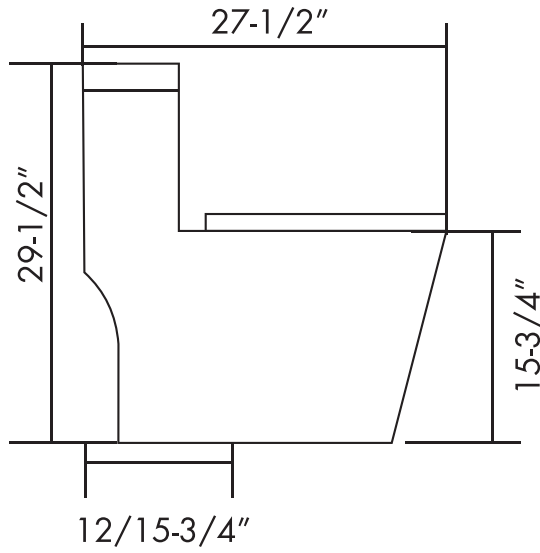




BSN-832

TOILETS **SERIES**





FEATURES

- Ceramic material
- White gloss finish
- Chrome flush buttons
- Soft close seat included
- Dual flush
- 1.06 - 1.6 GPF
- One piece construction
- Floor mount





TOILET BSN-832

MODEL	BSN-832
BOWL HEIGHT	15-3/4"
BOWL SHAPE	OVAL
HEIGHT	29-1/2"
LENGTH	27-1/2"
WIDTH	15-1/3"
FLUSH TYPE	DUAL FLUSH
GALLONS PER FLUSH	1.06 - 1.6 GPF
INSTALLATION TYPE	INSTALL FIXING TO THE FLOOR
MATERIAL (IN)	CERAMIC
COLOR	WHITE
SEAT INCLUDED	INCLUDE
TRIP LEVER PLACEMENT	NO
WATER AREA	5-1/2"X6-5/16"
WATERSENSE CERTIFIED	YES
PRODUCT WEIGHT	109.001 LB
UPC APPROVED	YES

For parts or sale requirements please contact our customer service department:



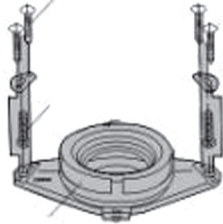
CS@daxib.com



1 888 685 8236



01



Thoroughly clean the floor area where the toilet will be installed. Align the flange ring at the pit pipe and mark the place where the bolts should be fixed, take it away, drill the holes at the marks with a suitable bit and fix the expansion pipe. Screw the flange ring and fix the whole flange ring on the floor with the bolts.

02



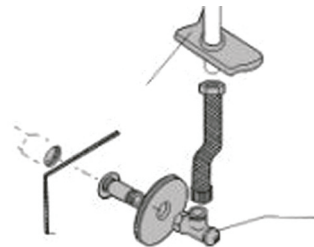
The toilet should be placed on the floor upside down, on a soft piece of cloth to prevent scratching. Place the wax ring in the circular recess in the base of the bowl.

03



Unplug the waste opening. Gently place the toilet right side up in position with the toilet mounting bolts going through the holes in the porcelain base. Press down on the toilet until it is leveled, if necessary use wedges to make it leveled.

04



Connect the water inlet to the tank. Make sure water pressure is sufficient to fill the tank.

05



Apply a mould-proof silicon between the floor and the toilet base.

06

Check the replenishing pipe and see if the water overflow pipe is inserted. Warning: if the overflow pipe is not inserted, the flushing may be affected.

07

Slowly open the water inlet and check the water tightness of each connection joint.

08

Install the toilet seat in accordance with the instructions.

For parts or sale requirements please contact our customer service department:



CS@daxib.com



1 888 685 8236