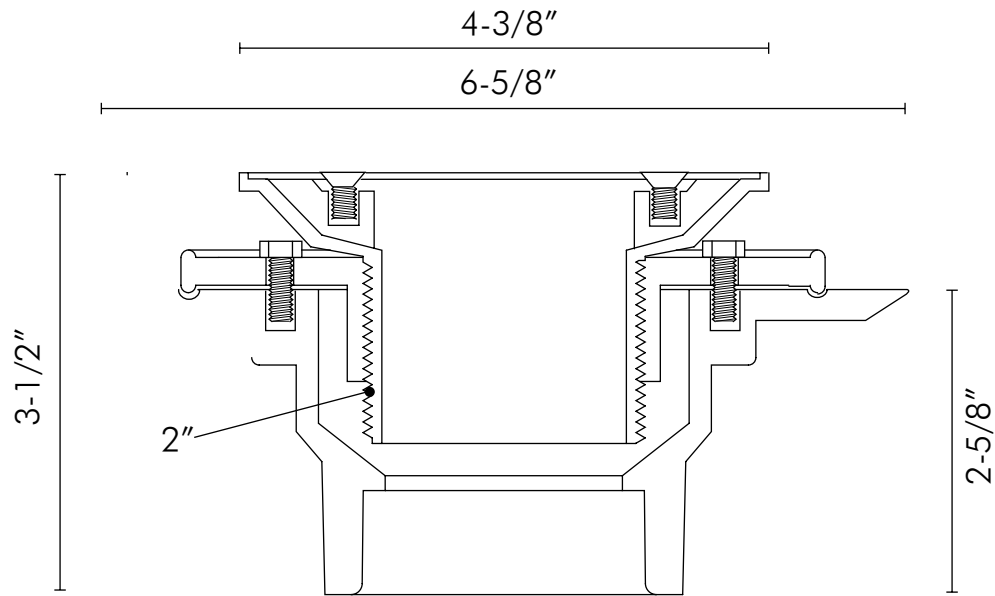




821-T200P



DRAIN SYSTEMS **SERIES**



FEATURES

- Stainless steel body
- Brushed stainless steel finish
- Size \varnothing 6-5/8" x D 3-1/2"



DRAIN SYSTEMS 821-T200P

MODEL	821-T200P
MATERIAL	STAINLESS STEEL
HEAD ADAPTER	GRAY ABS
CLAMPING COLLAR	GRAY ABS
COLLAR BOLTS	ZINC-PLATED HEX CAP SCREWS
BASE ADAPTER	Gray PVC or black ABS
STRAINER LOAD RATING	300 lbs. (19 gauge)
STRAINER FREE AREA	3.25 in ²
STRAINER FLOW CAPACITY	7.02 GPM
TOP DIAMETER (A)	ø 6-5/8
HEAD ADAPTER THREAD (E)	2" MIP
CONNECTION (F)	2" Sch. 40 hub