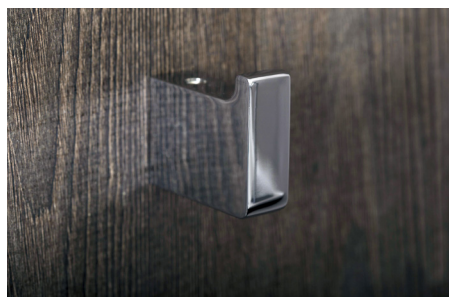
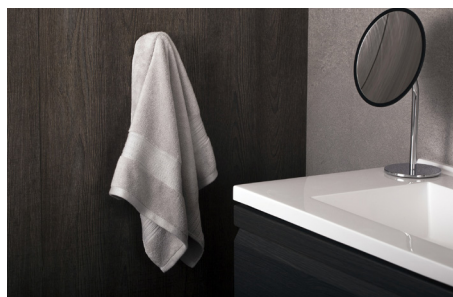




2530121



TOWEL HOLDERS **SERIES**
BY COSMIC

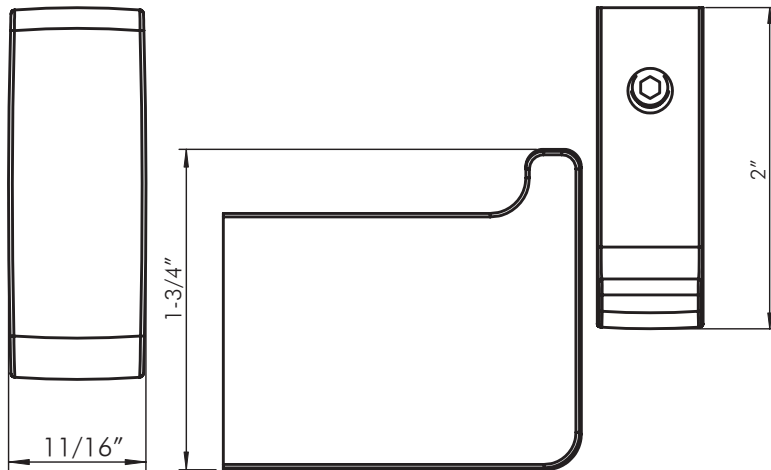


BY
COSMIC

www.daxib.com



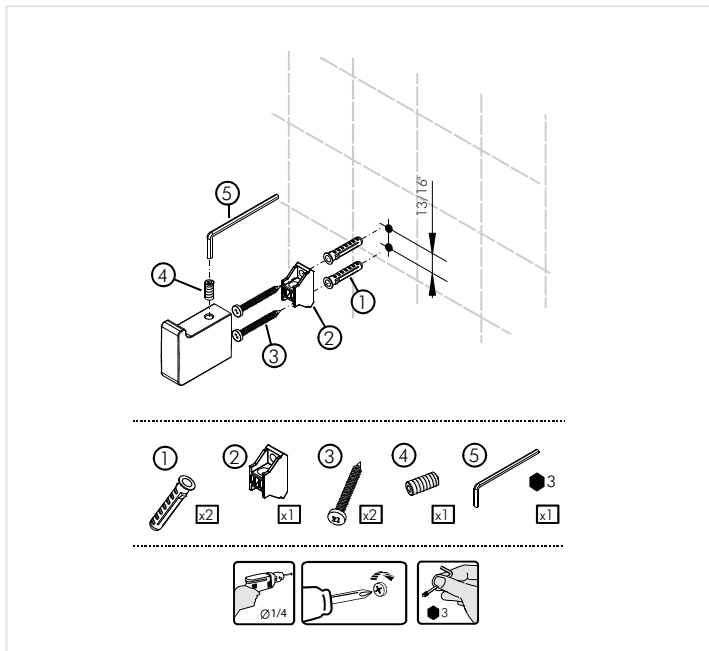
MEASUREMENTS



DIMENSIONS

11/16" x 1-3/4" x 2"

INSTALLATION GUIDE



For parts or sale requirements please contact our customer service department:



CS@daxib.com



1 888 685 8236

BY
COSMIC