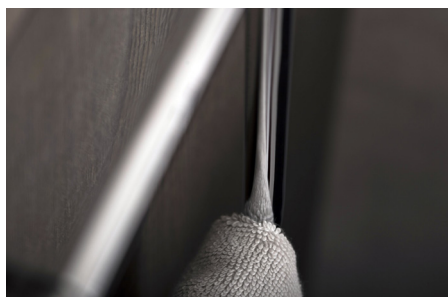
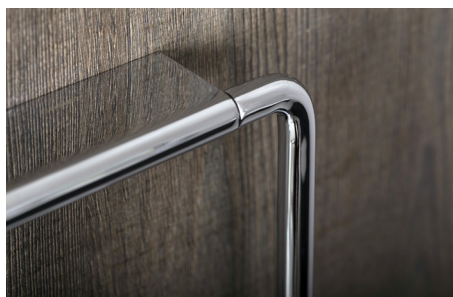




2510172



TOWEL RINGS **SERIES**
BY COSMIC

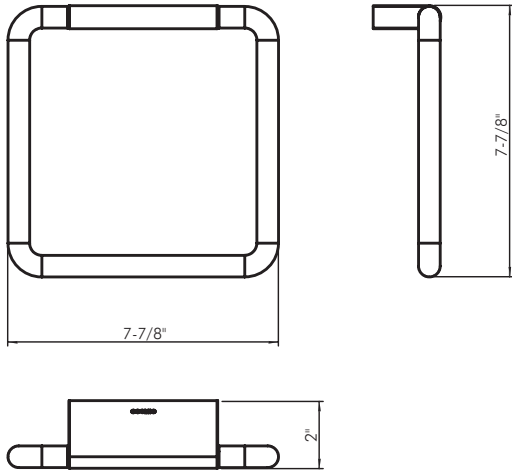


BY
COSMIC

www.daxib.com



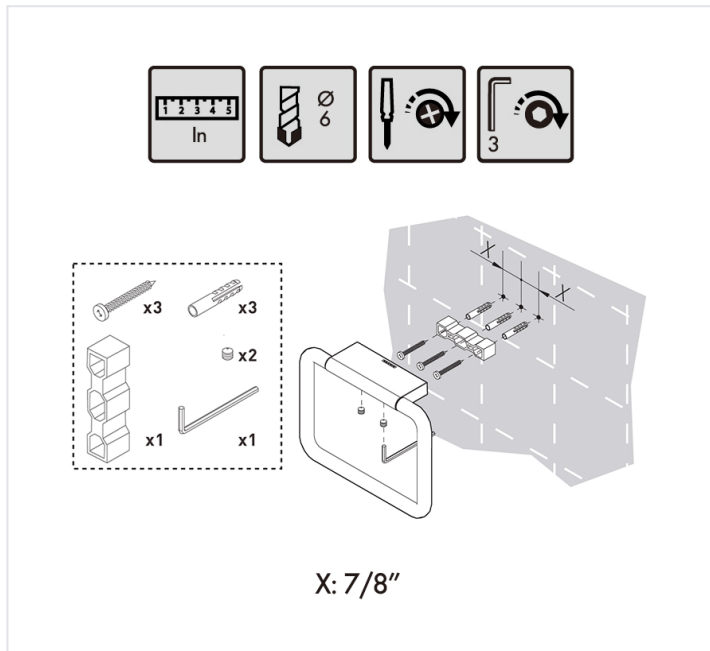
MEASUREMENTS



DIMENSIONS

7-7/8" x 7-7/8" x 2"

INSTALLATION GUIDE



For parts or sale requirements please contact our customer service department:



CS@daxib.com



1 888 685 8236

BY
COSMIC