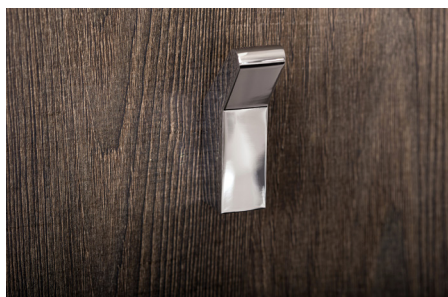




2510121



TOWEL HOLDERS **SERIES**  
BY COSMIC

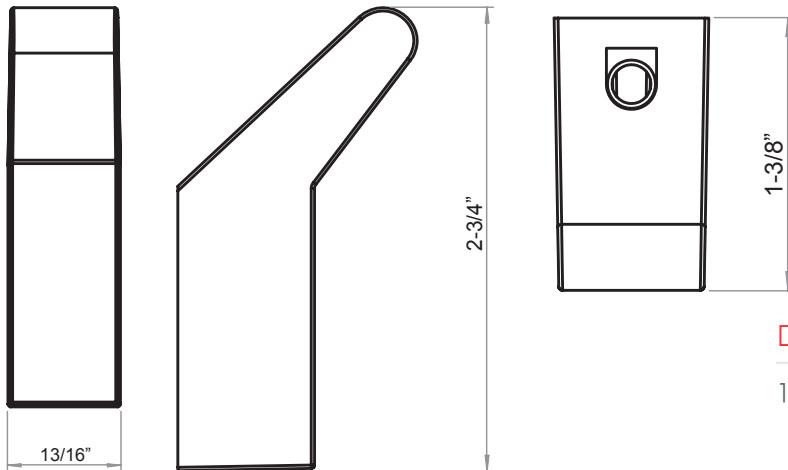


BY  
**COSMIC**

[www.daxib.com](http://www.daxib.com)



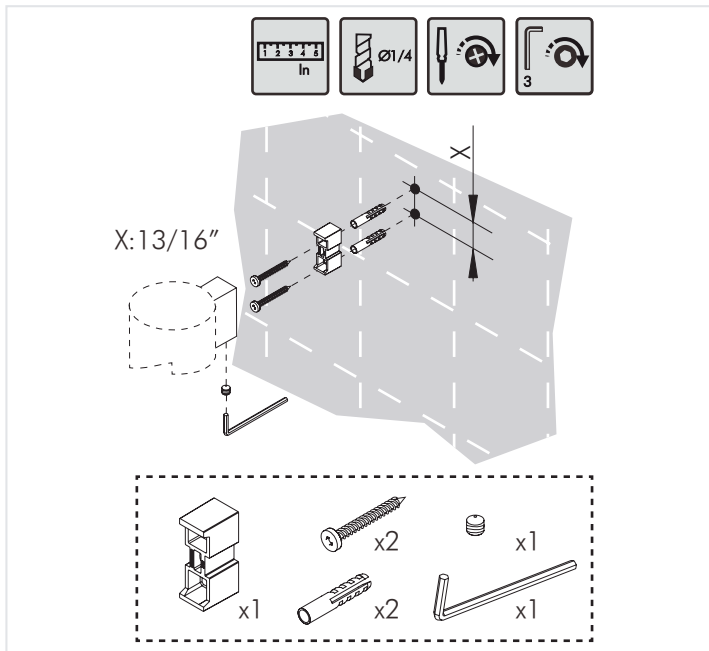
## MEASUREMENTS



## DIMENSIONS

13/16" x 2-3/4" x 1-3/8"

## INSTALLATION GUIDE



For parts or sale requirements please contact our customer service department:



CS@daxib.com



1 888 685 8236

BY  
COSMIC