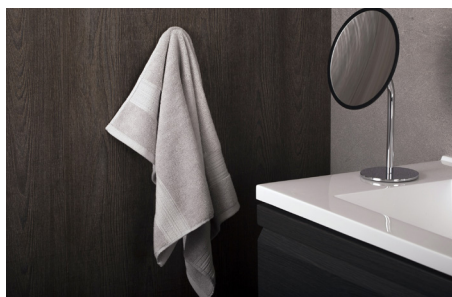




2290121



TOWEL HOLDERS **SERIES**
BY COSMIC

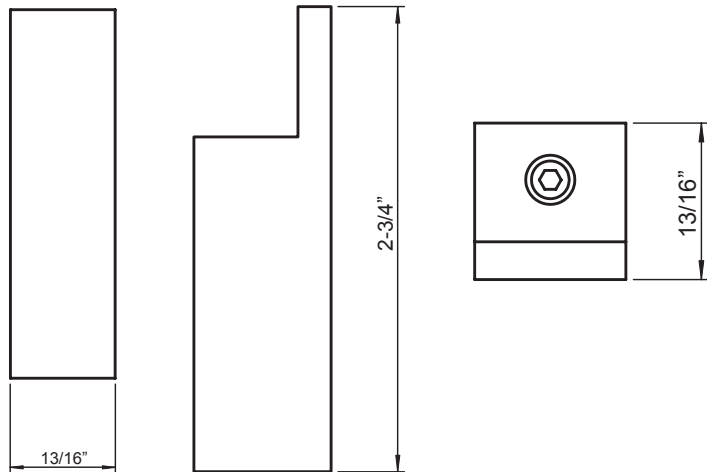


BY
COSMIC

www.daxib.com



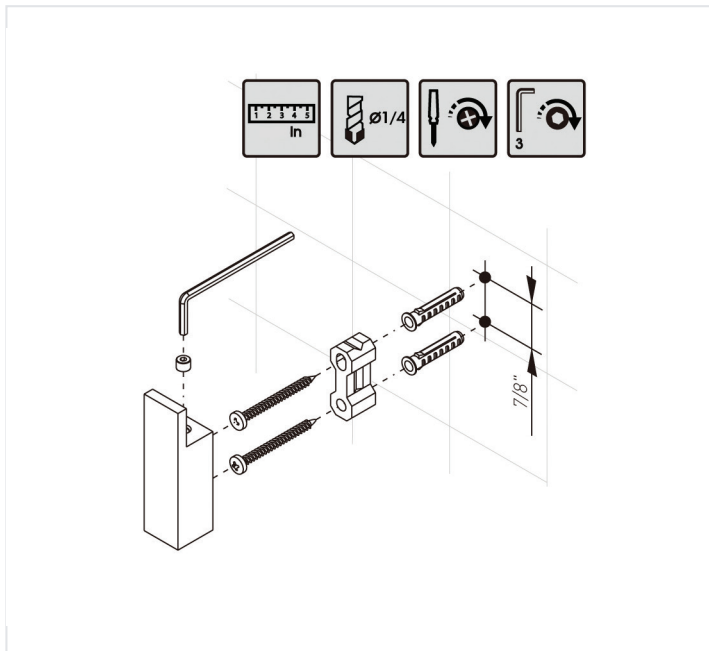
MEASUREMENTS



DIMENSIONS

13/16" x 2-3/4" x 13/16"

INSTALLATION GUIDE



For parts or sale requirements please contact our customer service department:



CS@daxib.com



1 888 685 8236

BY
COSMIC