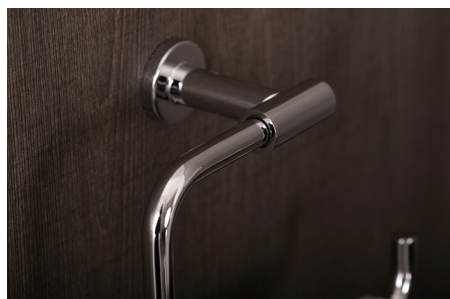




2050172



TOWEL RINGS **SERIES**  
BY COSMIC

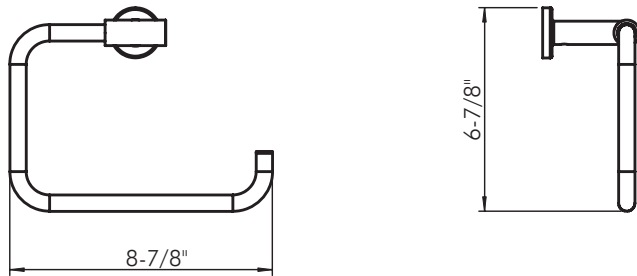


BY  
**COSMIC**

[www.daxib.com](http://www.daxib.com)



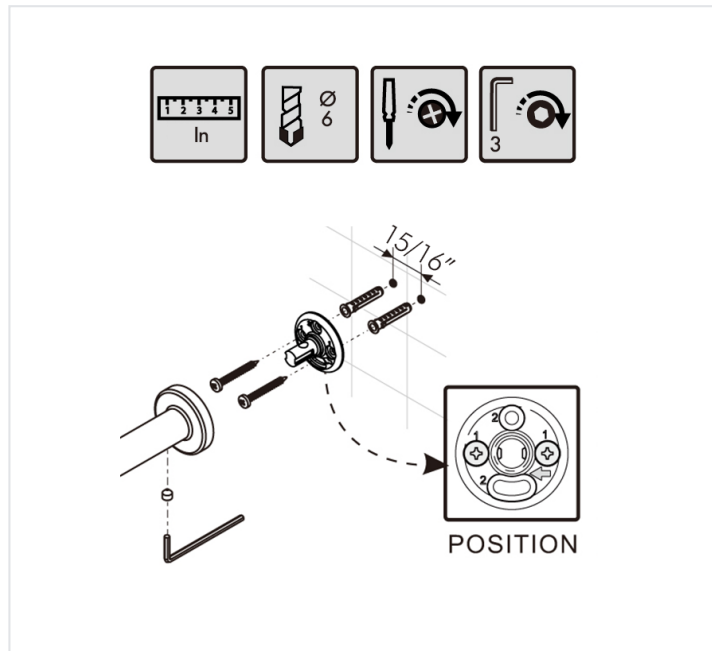
## MEASUREMENTS



## DIMENSIONS

8-7/8" x 6-7/8" x 3-1/4"

## INSTALLATION GUIDE



For parts or sale requirements please contact our customer service department:



CS@daxib.com



1 888 685 8236

BY  
COSMIC