



2050133

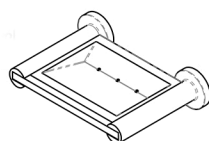
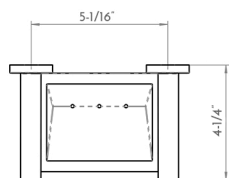
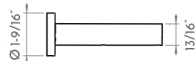
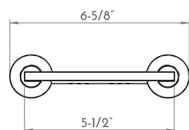


BATHROOM ACCESSORIES **SERIES**





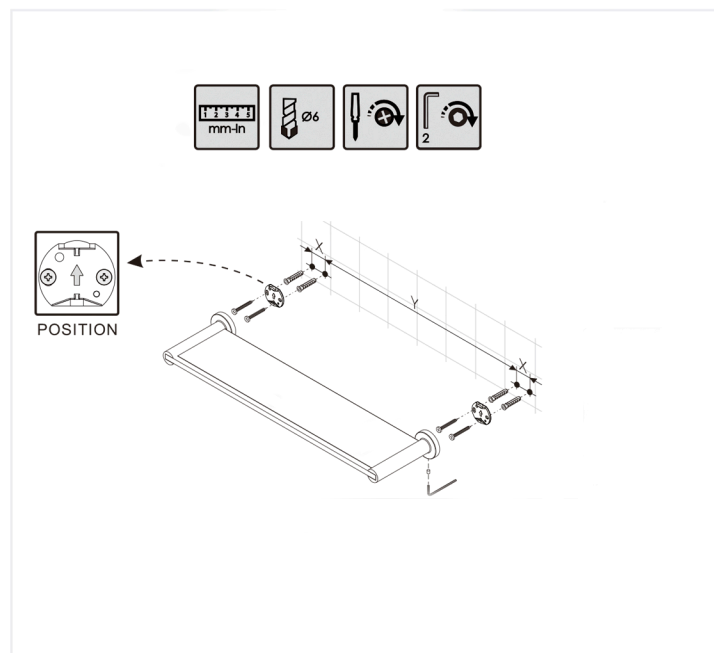
### MEASUREMENTS



### DIMENSIONS

6-5/8" x 4-1/4" x 1-9/16"

### INSTALLATION GUIDE



For parts or sale requirements please contact our customer service department:

 [CS@daxib.com](mailto:CS@daxib.com)

 1 888 685 8236

BY  
**COSMIC**