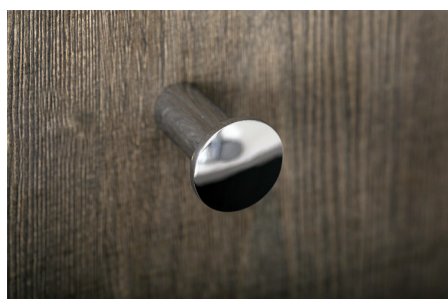




2050121



TOWEL HOLDERS **SERIES**
BY COSMIC

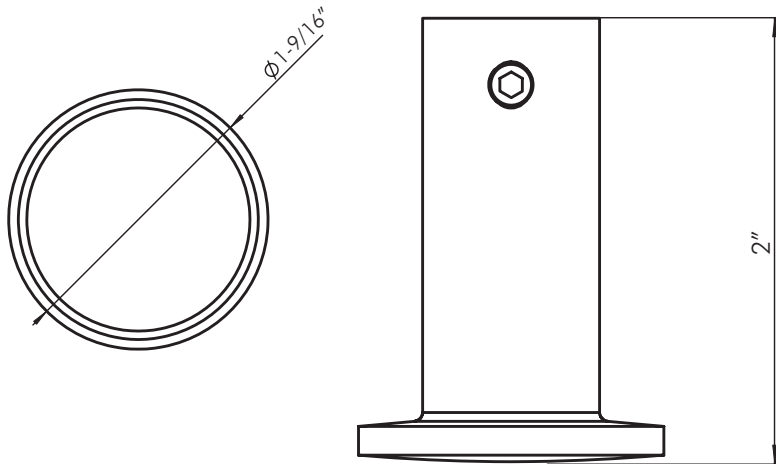


BY
COSMIC

www.daxib.com



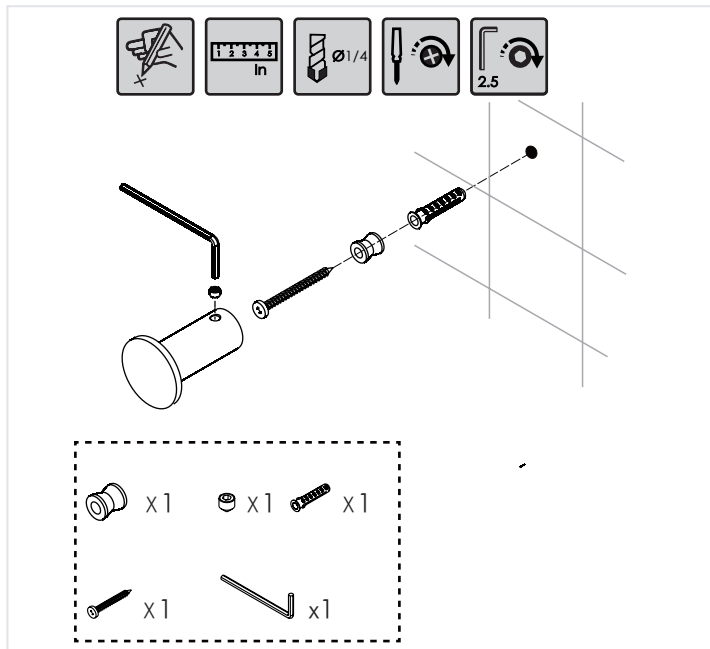
MEASUREMENTS



DIMENSIONS

$\varnothing 1-9/16" \times 2"$

INSTALLATION GUIDE



For parts or sale requirements
please contact our customer service department:



CS@daxib.com



1 888 685 8236

BY
COSMIC