



Project Name: _____

Location: _____

Item #: _____ Qty: _____

Model: _____

ELECTRIC COMMERCIAL VEGETABLE CUTTER, 3/4 HP

MODEL: GSV112



GSV112

Generals electric commercial vegetable food cutter is ideal for any foodservice kitchen, such as restaurants, catering events and hospitality applications. The food cutter is perfect for preparing vegetables for soups, salad bars, buffets and catering applications as well as cutting fruits and cheeses. The vegetable cutter has two (2) angled food chutes and can produce up to 500lbs per hour. The cast aluminum polished body and housing are supplied with an interlocked lid and pusher. The vegetable cutter is the clear choice for slicing, dicing, shredding, julienne cutting vegetables with the many optional processing discs to choose from.

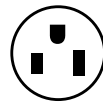
FEATURES AND CONSTRUCTION

- Constructed of polished cast aluminum, interlocked lid and pusher
- Choose from 22 discs for flat, wavy slices, dicing, julienne and french fry cuts
- Cutting knives are stainless steel and can easily be replaced
- Two food chutes that can produce up to 500lbs of cut vegetables
- Splash resistant push button "ON and OFF" switch
- Supplied with food ejector plate, cord and NEMA 5-15 grounded plug
- Rated power is 3/4 HP, with 120/60/1voltage and a speed of 270 RPM
- Vegetable cutter weighs 50 lb/23 kg and meets UL standards
- Four rubberized feet prevent slicer from slipping or scratching food service prep surfaces
- Bowl extension ring
- Splash cover

ELECTRIC

- 120V/60Hz/1-ph, NEMA 5-15P
- 6-1/2 ft power cord and plug set

International Voltage Available



NEMA 5-15P
120V/60/1

3RD PARTY APPROVALS



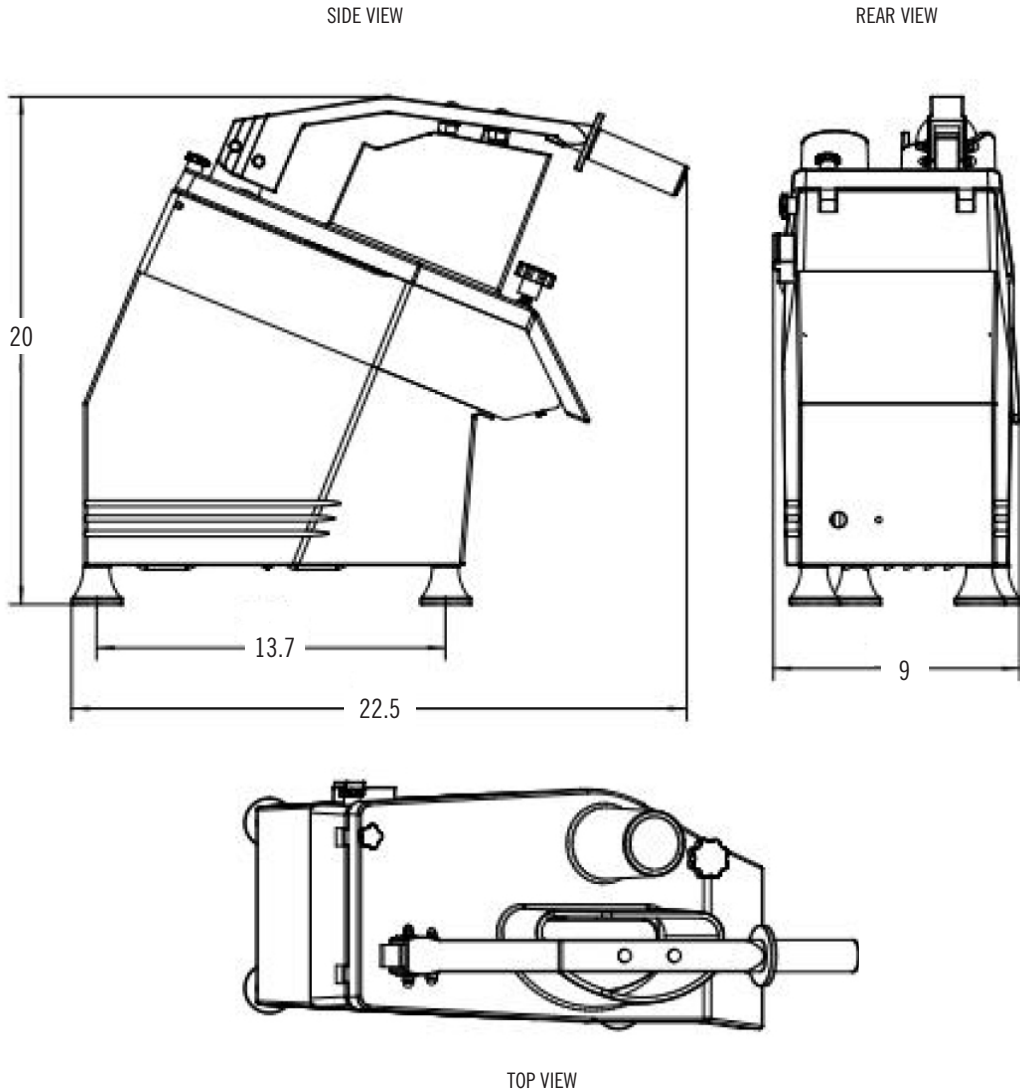
GENERAL WARRANTY (USA / CANADA)

General Vegetable Cutters are warranted for one year from date of installation against defective materials and workmanship.

Contact General for details at info@generalfoodservice.com or 954.202.7419



ELECTRIC COMMERCIAL VEGETABLE CUTTER, 3/4 HP



MODEL	DIMENSIONS (W x D x H)	SPEED	ELECTRICAL	POWER OUTPUT	SHIPPING WEIGHT	NET WEIGHT
GSV112	9" x 22.5" x 20" (230 x 570 x 510mm)	270 RPM	120V / 60Hz / 1Ph	3/4HP	110 lb (50 kg)	50 lb (23 kg)