



Project Name:	
Location:	
Item:	Qty.:
Model:	

# COMMERCIAL MICROWAVES

## GEW1100E/GEW1150E/GEW1160E Digital Touch-Pad Control Microwave



**GEW1100E** 120/60/1  
**GEW1150E** 230/50/1  
**GEW1160E** 230/60/1

### Digital Microwave

Commercial microwave oven. Including heavy duty metal handle and durable interlock system. Stainless steel body and cavity, cavity size 1.2 cubic foot. Digital touch-pad controls, LED display.

FEATURE LIST	
Model:	GEW1100E/GEW1150E/GEW1160E
Cavity Size:	1.2 cu. ft.
Electrical:	120/60/1 (GEW1100E) 230/50/1 (GEW1150E) 230/60/1 (GEW1160E)
Power Output:	1100 Watt (Single Magnetron)
Power Levels:	10 (programmable)
Interior/Exterior:	Stainless Steel
Control Method:	Digital Touch-Pad
Display:	LED Lighted Display
Net/Shipping Weights:	55 lbs / 62 lbs 25 kg / 28 kg
Dimensions:	23"W x 21"D x 14.5"H 574.2 x 526.4 x 367.5 mm



Specifications subject to change without notice.

Approvals:

091614



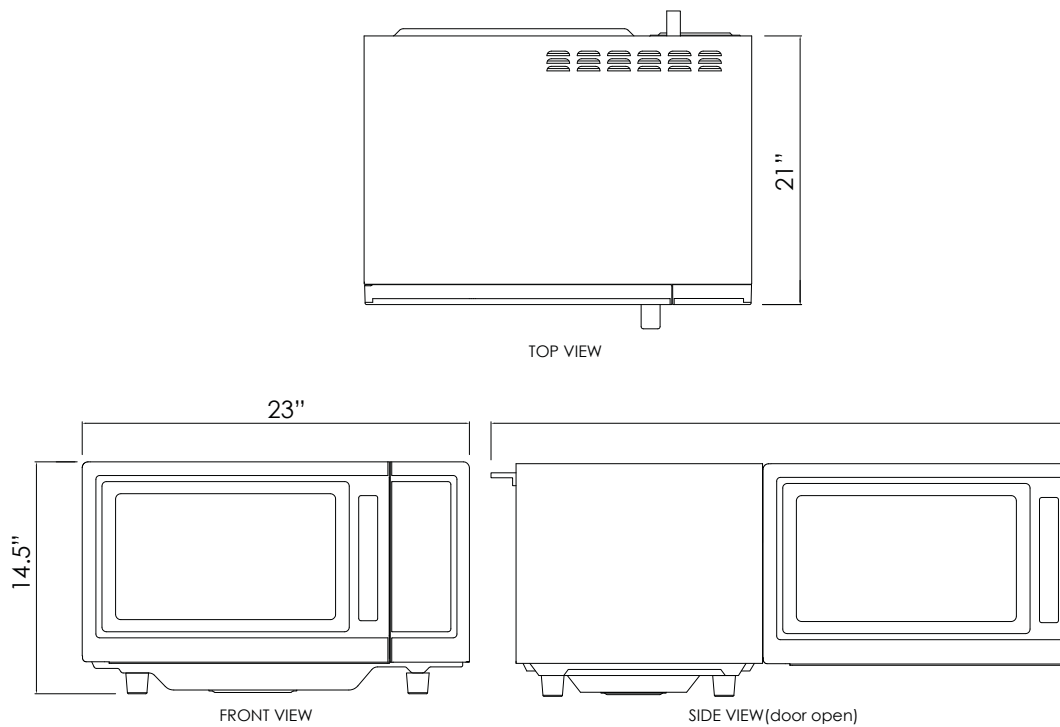


Project Name:	
Location:	
Item:	Qty.:
Model:	

# PLAN VIEW

# GEW1100E/GEW1150E/GEW1160E Digital Touch-Pad Control Microwave

## DIMENSIONS:



Dimensional Data								
Model	Cavity Size	Electrical	Power Output	Power Levels	Interior/ Exterior	Control Method	Net/Shipping Weights	Dimensions ("W x "D x "H)
GEW1100E GEW1150E GEW1160E	1.2 cu. ft.	120/60/1 230/50/1 230/60/1	1000 Watts	10	Stainless Steel	Digital Touch-Pad	55 lbs / 62 lbs 25 kg / 28 kg	23 x 21 x 14.5 in 574.2 x 526.4 x 367.5 mm

