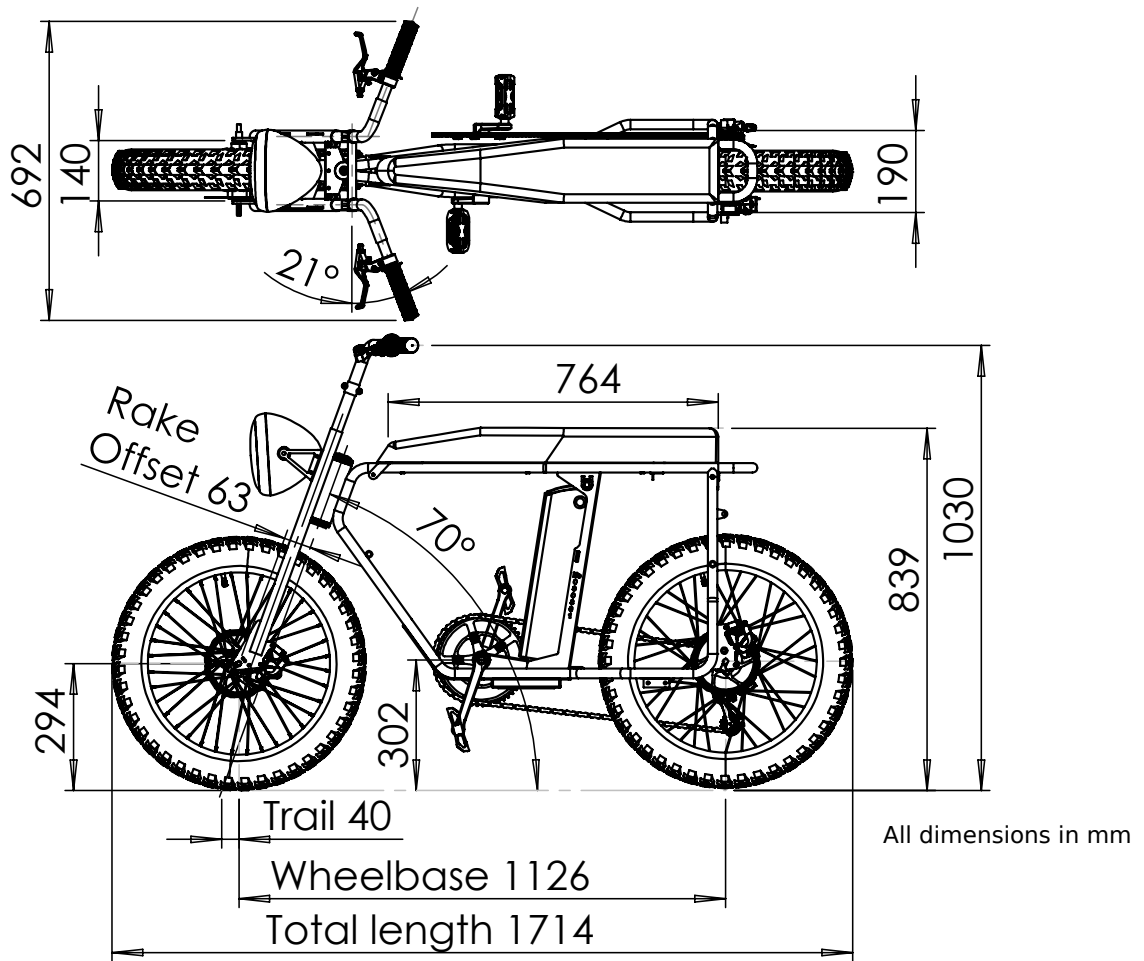


UNIMOKE Urban 2018 E-Bike Datasheet



| | | | |
|-------------------|--|--------------------|--|
| Frame | Chromoly tubing 22.2/25.4/28.6mm AISI304 Stainless steel screws and hardware Standard colors: Black/White (others on request) | Performance | Autonomy range 50-60km (31-37miles) in optimal conditions (weight, terrain, wheels) Speed 25km/h-20mph standard (32km/h max speed) |
| Motor | High torque, rear hub brushless motor Bafang G06 250W standard (750W optional) | Battery | Li-Ion based Integrated BMS (Battery Management System) Samsung 48V 14,6A·h (696 W·h) Removable battery for charging Key lock Charging time 3-4 hours |
| Components | Semi-Integrated ZS44-50/28.6 headset Front/rear Tektro hydraulic disc brakes Tektro e-bike w/sensor brake levers Shimano TX50 rear shifter Shimano rear derailleur BSA/BSC, 1.37"x24TPI Bottom Bracket Full aluminium alloy pedal set 20x4" fat wheel, semi-slick/all-terrain tires | Saddle | Comfort seat w/closed cell PU foam Hinge/clip opening/closing for battery acces Possibility to add key lock |
| Display | Battery level indicator Light control and display Speed, mileage and time indication | Light | Full metal 7 inch High intensity - Low power LED 7W |
| Controller | Sine-wave 9 levels of pedal assist | Weight | Bicycle 29kg Packaging 35kg (170x35x120cm) |