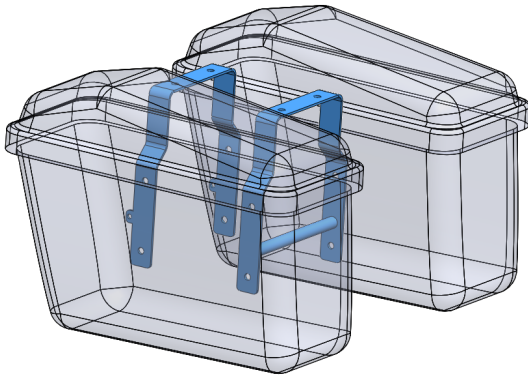
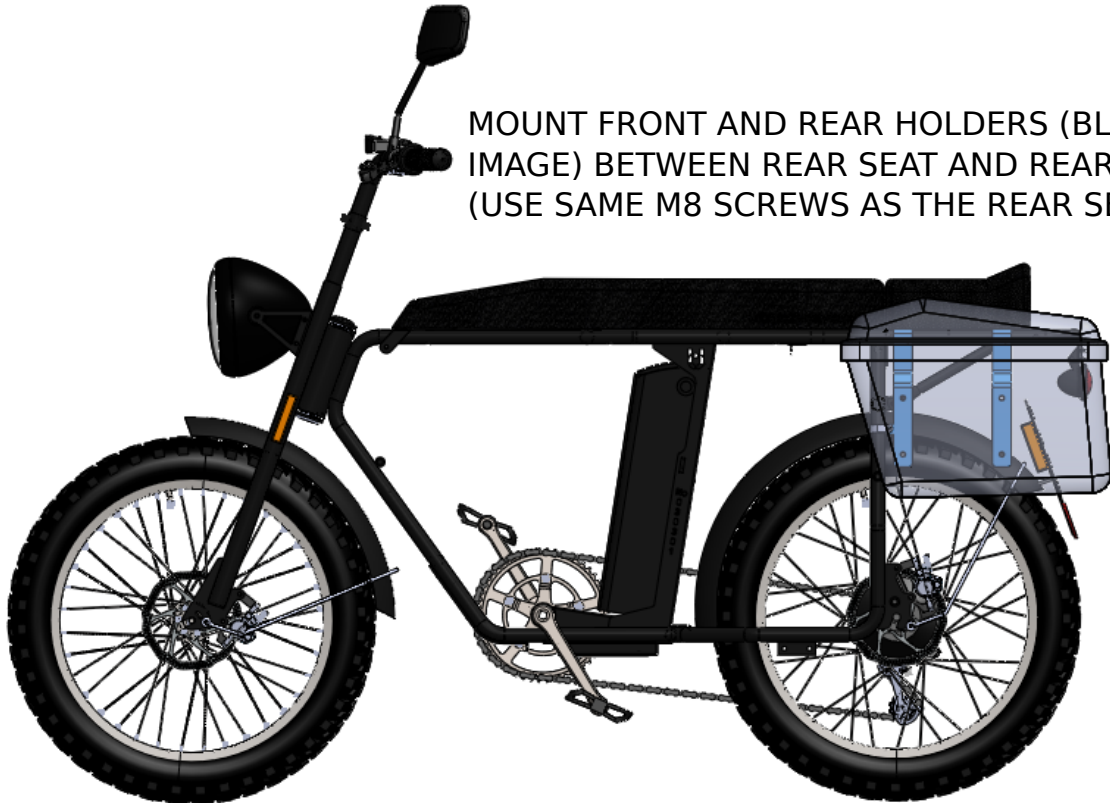


UNIMOKE SADDLEBAG MOUNTING KIT



MOUNT SADDLEBAGS ON HOLDERS WITH SUPPLIED M8 SCREWS AND RUBBER GROMMETS



MOUNT FRONT AND REAR HOLDERS (BLUE IN THE IMAGE) BETWEEN REAR SEAT AND REAR SEAT RACK (USE SAME M8 SCREWS AS THE REAR SEAT)

SECURE FRONT HOLDER ON THE FRAME TUBE WITH PLASTIC P-CLAMP (BLUE IN THE IMAGE) WITH M5x16 SCREW AND AUTOLOCK NUT

