

UNI Moke / UNI Swing FOOTPEG INSTALLATION MANUAL



TOOLS YOU NEED



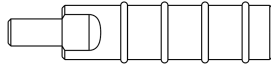
- 15mm WRENCH
- LUBRICANT OIL/GREASE



WHAT'S IN THE BOX



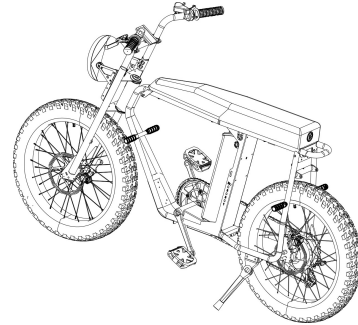
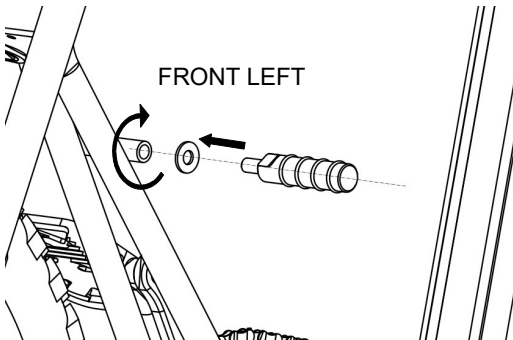
2x PLASTIC WASHER



2x FOOTPEG M10x1.5

STEP 1: Apply a thin layer of lubricant on the male thread of the footpeg. Mount the plastic washer on the male threaded rod and install the footpeg turning clockwise inside one of the footpeg M10 holes in the frame (front or rear). Perform the same operation for the other side.

STEP 2: Tighten the footpegs with the 15mm wrench from the footpeg flat side. Tighten gently caring not to break the washers or the bike paint (approx 15Nm torque).



STEP 3: Enjoy riding your UNI Moke / UNI Swing with family and friends!



urbandrivestyle.com

UNI Moke / UNI Swing FOOTPEG INSTALLATION MANUAL



TOOLS YOU NEED



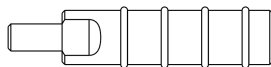
- 15mm WRENCH
- LUBRICANT OIL/GREASE



WHAT'S IN THE BOX



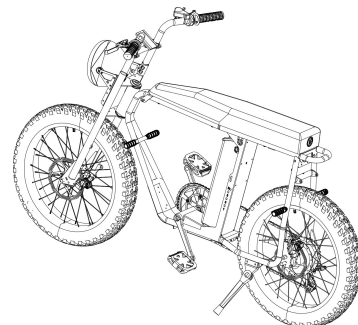
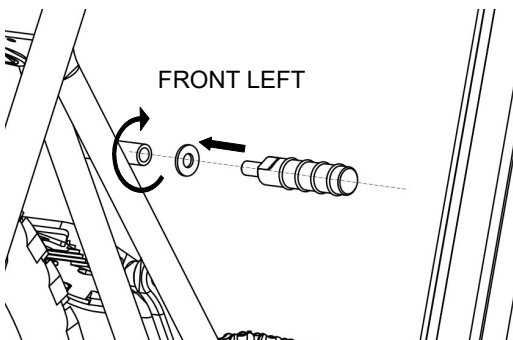
2x PLASTIC WASHER



2x FOOTPEG M10x1.5

STEP 1: Apply a thin layer of lubricant on the male thread of the footpeg. Mount the plastic washer on the male threaded rod and install the footpeg turning clockwise inside one of the footpeg M10 holes in the frame (front or rear). Perform the same operation for the other side.

STEP 2: Tighten the footpegs with the 15mm wrench from the footpeg flat side. Tighten gently caring not to break the washers or the bike paint (approx 15Nm torque).



STEP 3: Enjoy riding your UNI Moke / UNI Swing with family and friends!



urbandrivestyle.com