

TORSTEN DRESSER



TROLL NURSERY

IMPORTANT RETAIN FOR FUTURE REFERENCE READ CAREFULLY

Your child's safety is your responsibility.

This changing table is suitable for use by a child up to approximately 12 months old or maximum weight 11 kg.

Additional or replacement parts should only be supplied by manufacturer or distributor.

Remove all parts from packaging and check against the parts list.

Do not discard any packaging until you are sure you have all parts and the pack of fittings.

You will find it easier to assemble the table if a second adult is available to help you.

Furniture can be dangerous if incorrectly installed. Assembly should be carried out by a competent person.

Periodically check all fixings to ensure none have come loose and that there is no risk of clothing or parts of the body becoming snagged or trapped.

Keep children clear during assembly as pack contains small parts which may present a choking hazard.

The wall must be checked for suitability during assembly to ensure that the fastening strap can withstand the forces generated. Appropriate wall fixings must be used.

Do not allow your child to climb on this furniture.

Be aware of the risks of open fires and other such sources of strong heat, such as electric bar fires, gas fires, etc in the vicinity of the dresser.

When changing unit is in use, wheels shall be locked position.

Do not use if any part is broken or missing.

WARNING: Do not leave the child unattended on the changing table.

All assembly fittings shall be correctly tightened and checked regularly.

The recommended mattress size for the table is 75x40 cm.

Changing mattress must not exceed 2 cm thickness.

Check regularly to ensure that all the components are secure.

DO NOT use changing unit if any parts are missing, damaged, or broken.

Your furniture may be cleaned by wiping with a damp cloth and drying with a soft clean cloth.

Do not use abrasives, bleach, alcohol or ammonia-based household polishes.

Take care when handling or moving the furniture. Careless handling may cause damage.

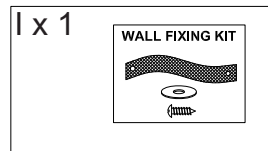
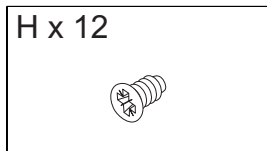
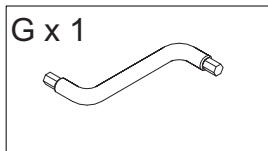
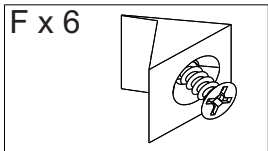
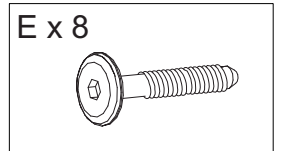
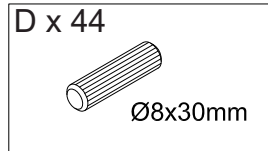
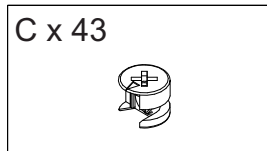
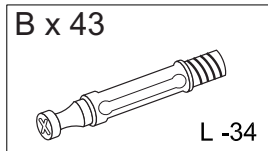
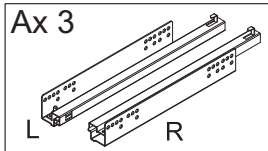
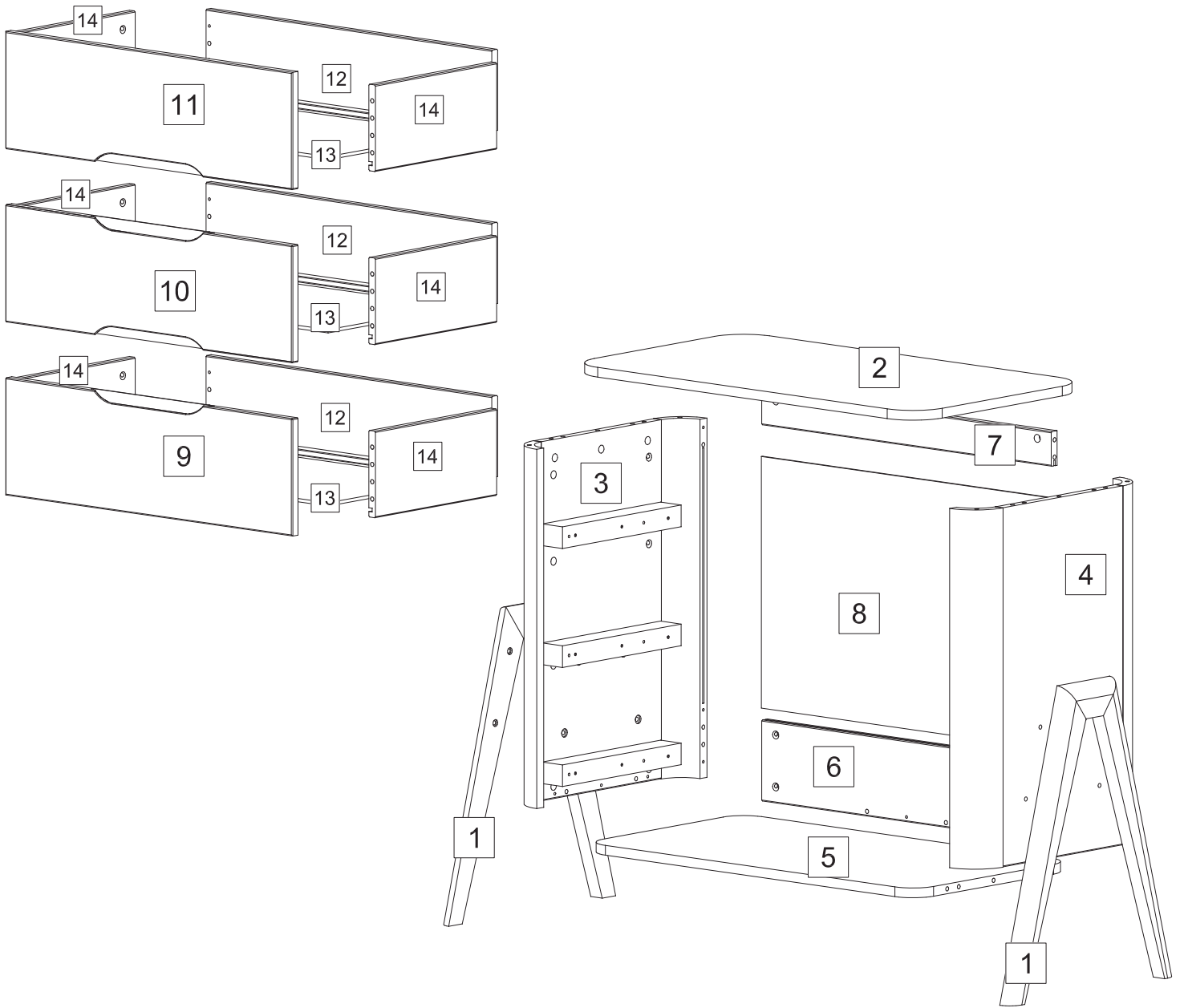
The illustrations in these instructions are to be used as a guide only

Conforms to standard EN 12221-1&2:2008 + A1:2013

For questions and advice regarding this product please contact CuddleCo

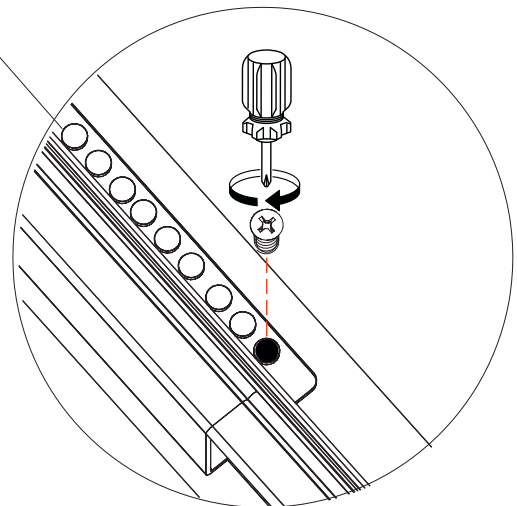
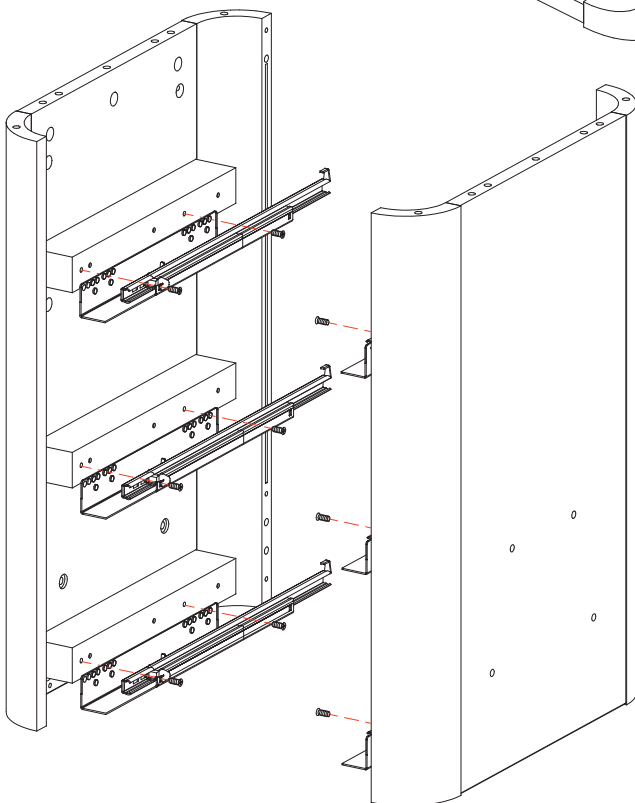
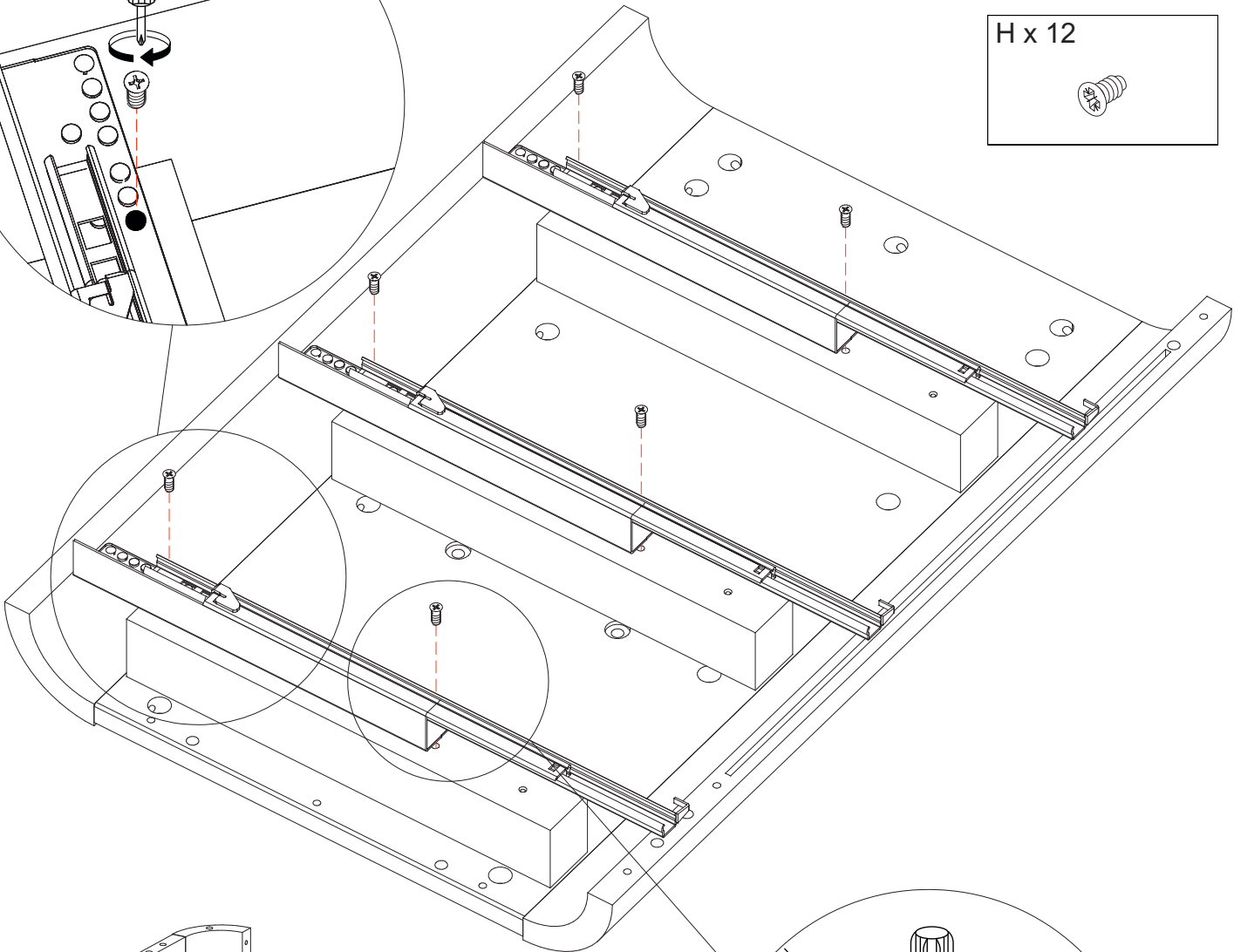
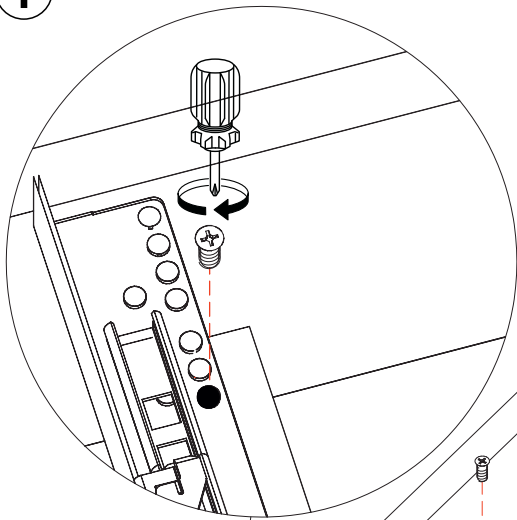
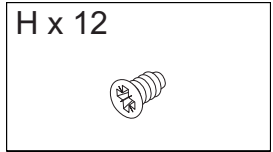
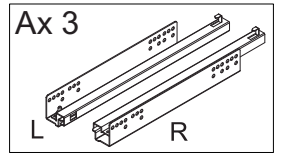
Customer services at: customerservice@cuddleco.co.uk or go to www.cuddleco.co.uk

PARTS and FITTINGS LIST



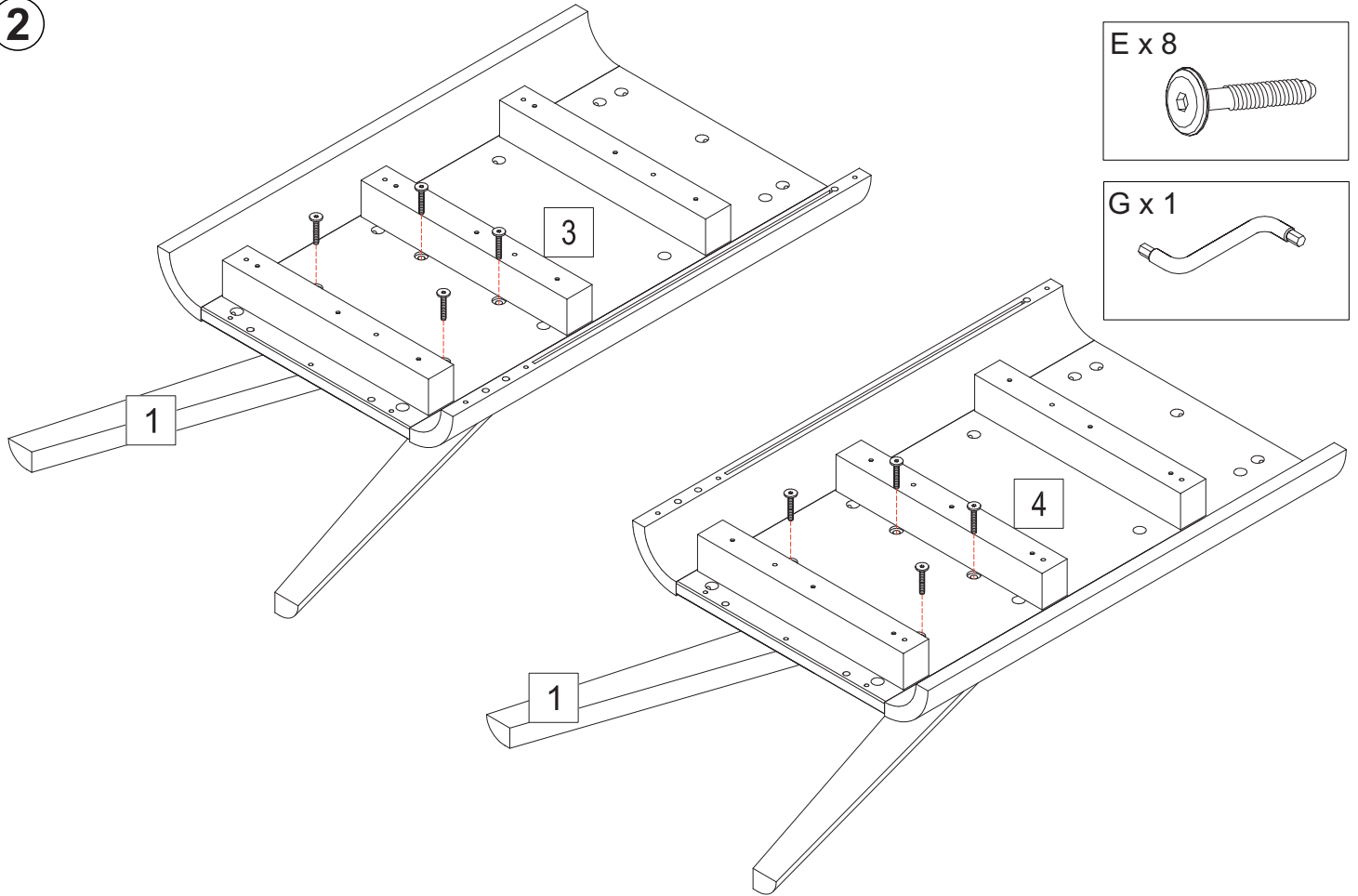
ASSEMBLY

1

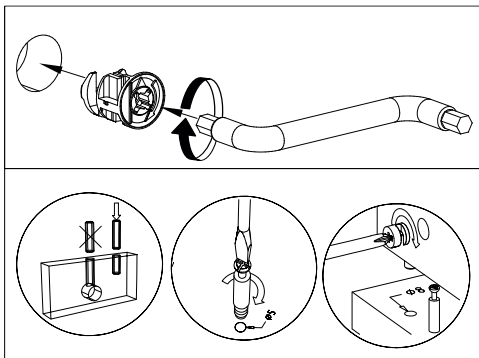
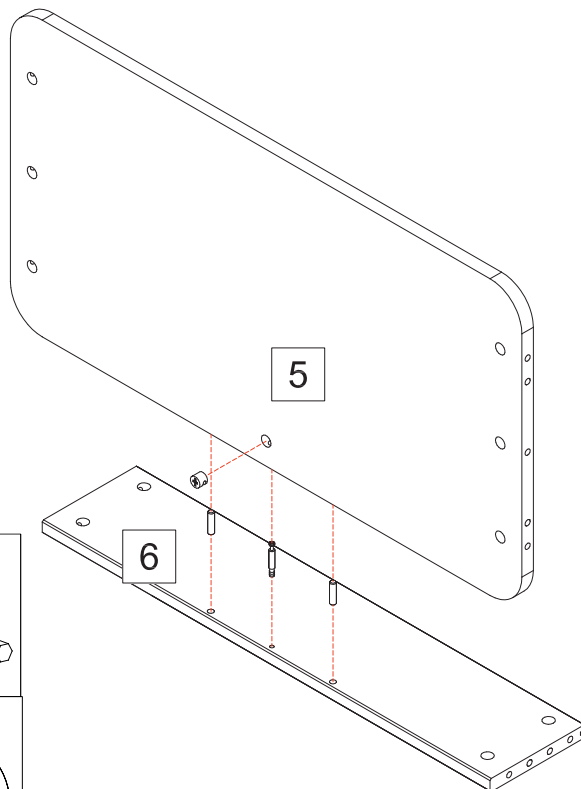
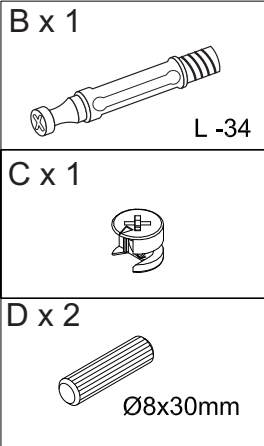


ASSEMBLY

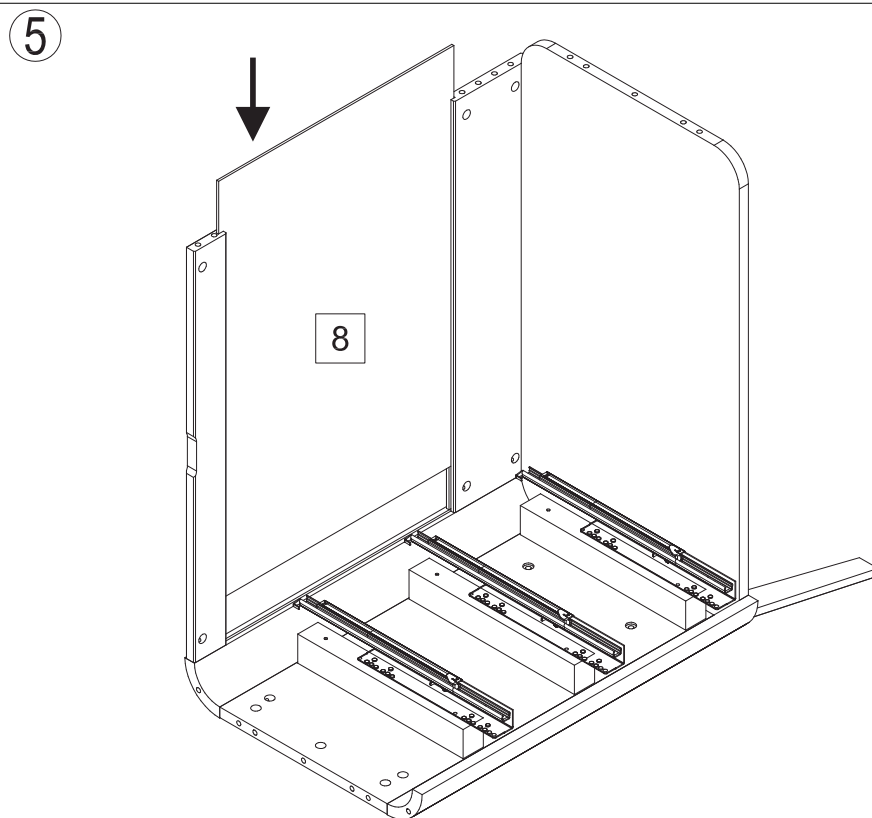
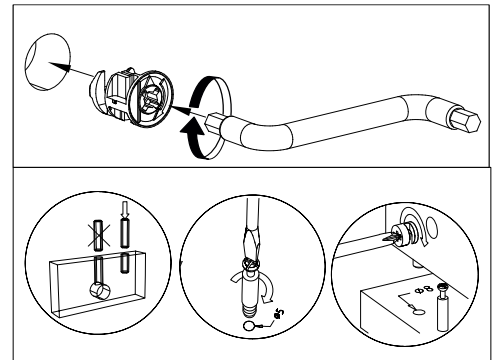
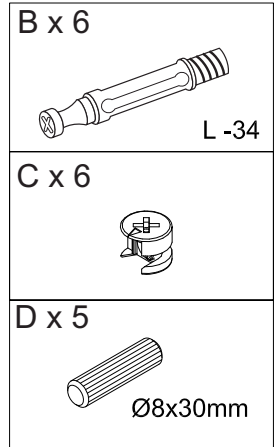
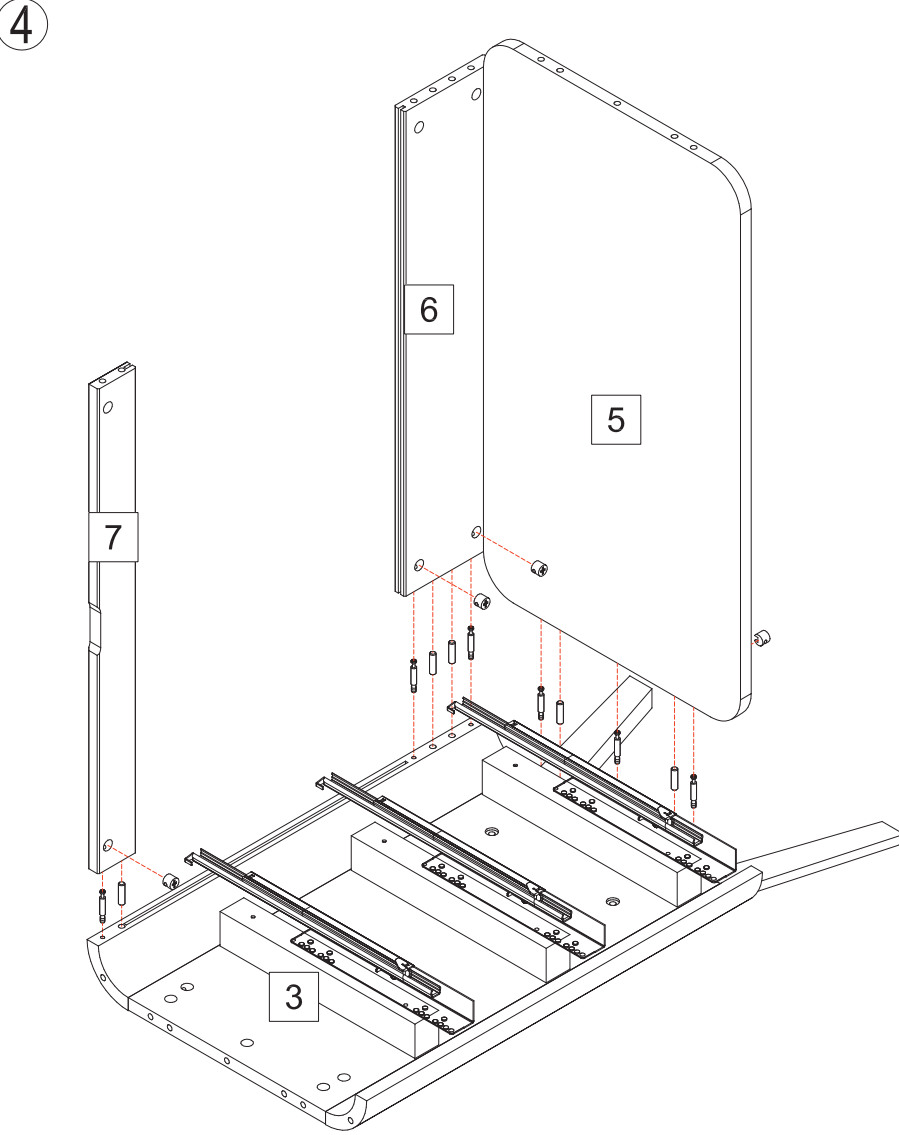
2



3

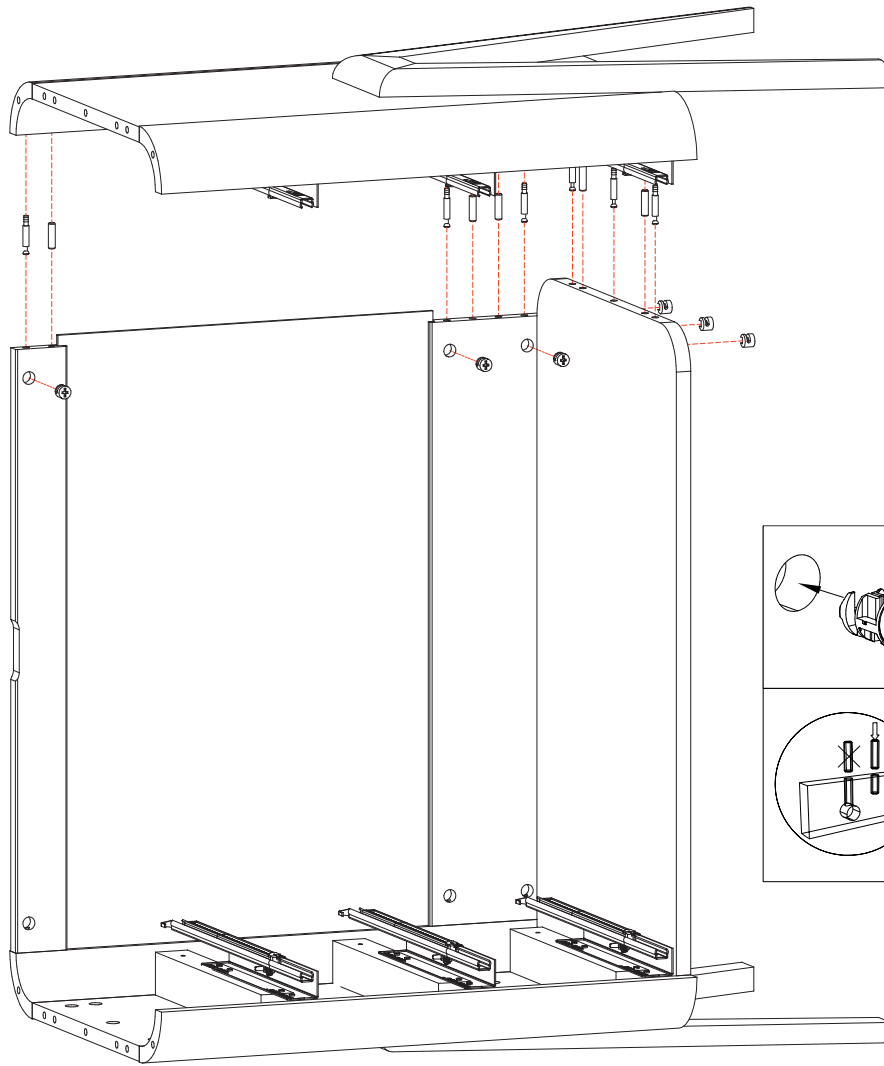


ASSEMBLY

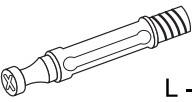


ASSEMBLY

6




B x 6

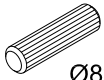


L-34

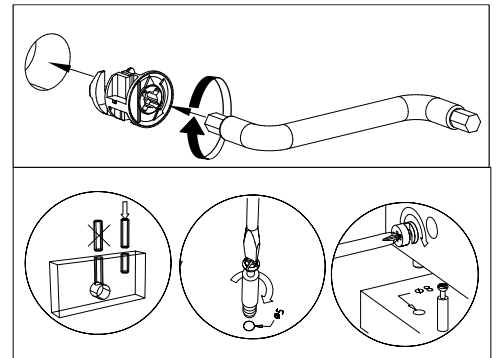
C x 6



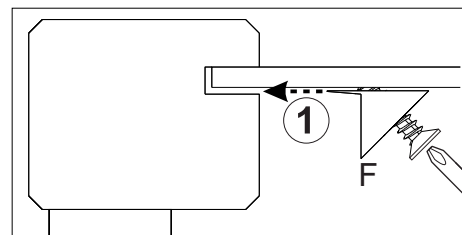
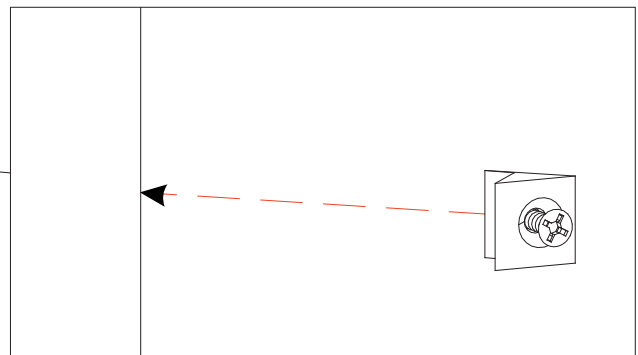
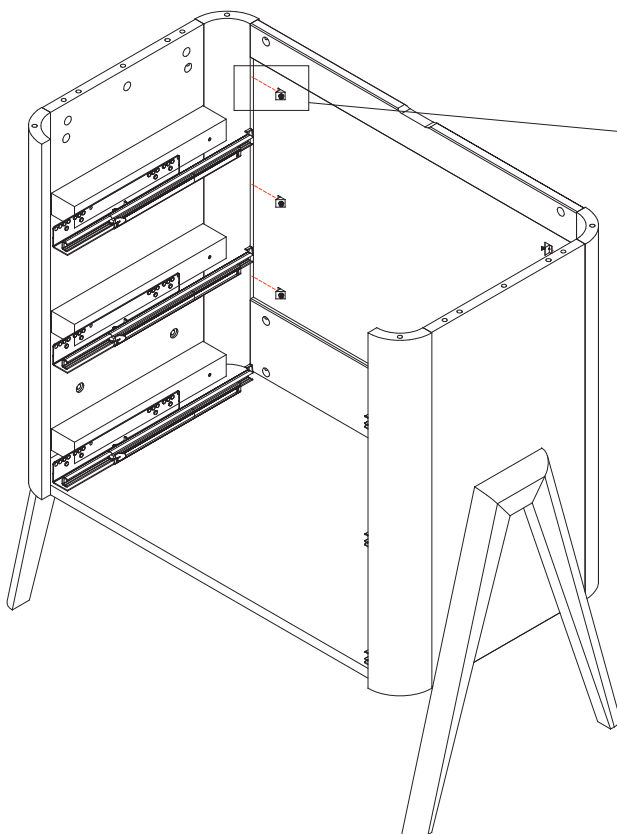
D x 5



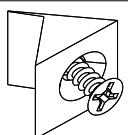
Ø8x30mm



7

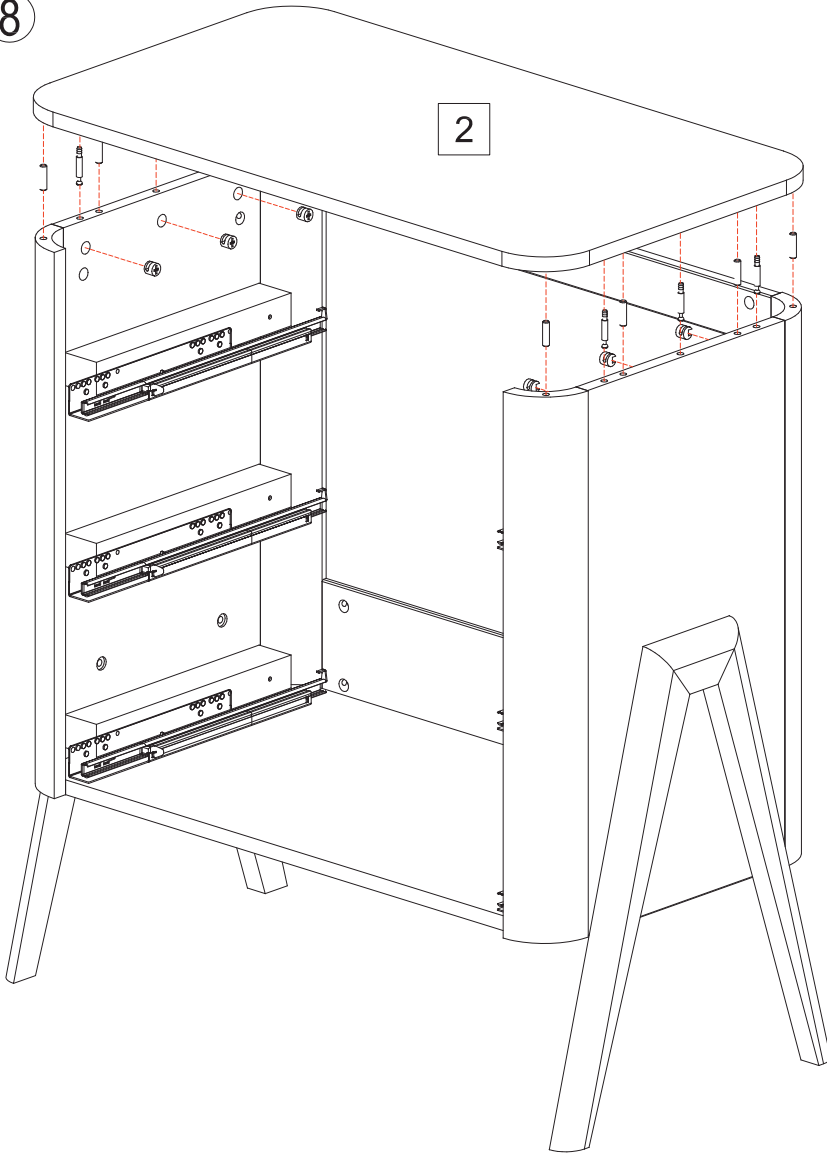


F x 6

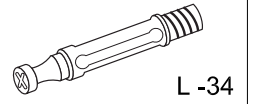


ASSEMBLY

8



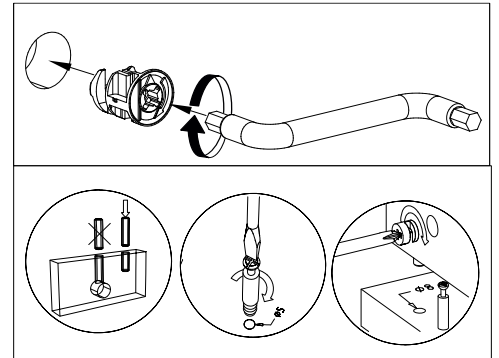
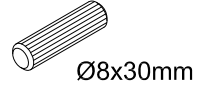
B x 6



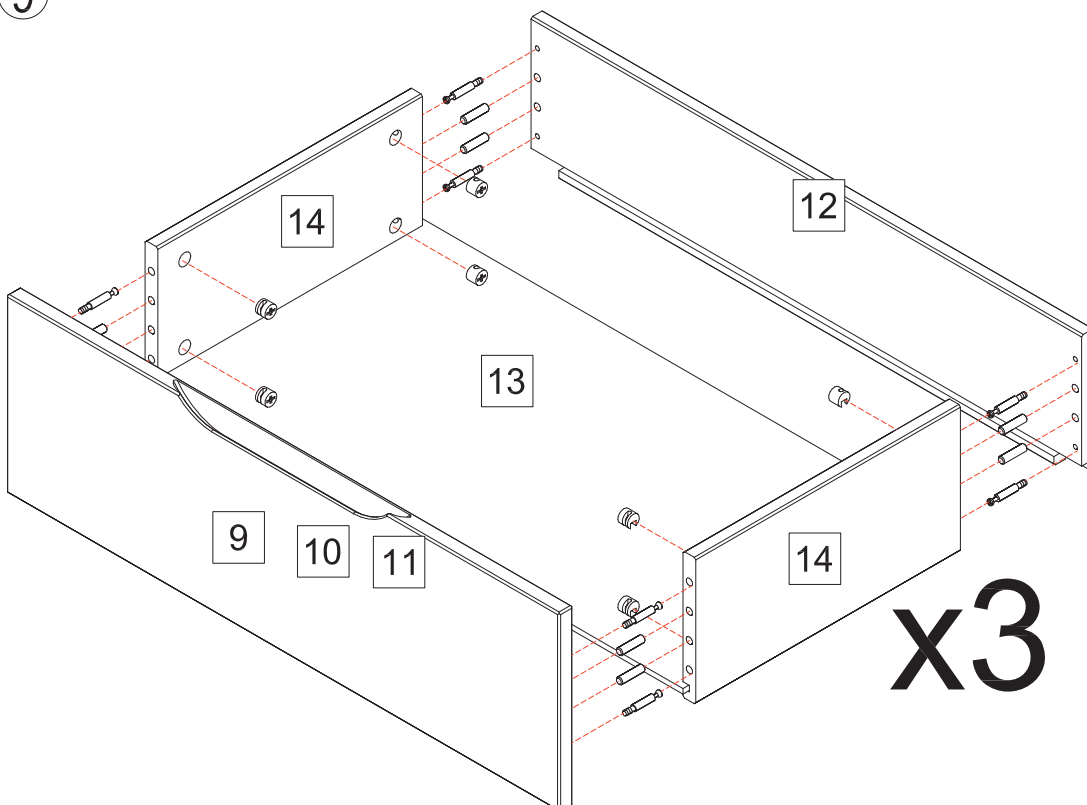
C x 6



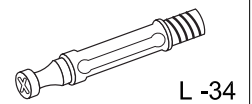
D x 8



9



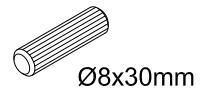
B x 24



C x 24



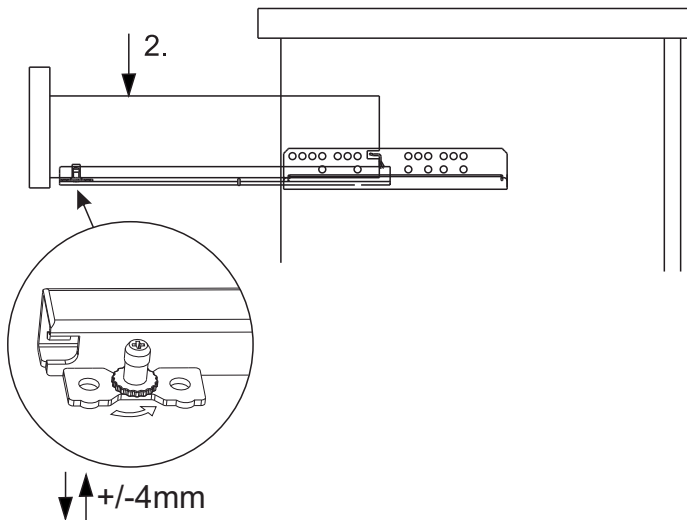
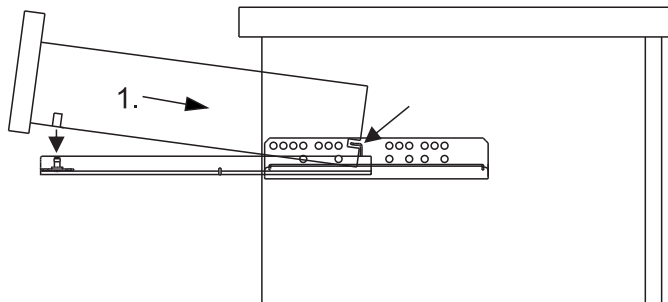
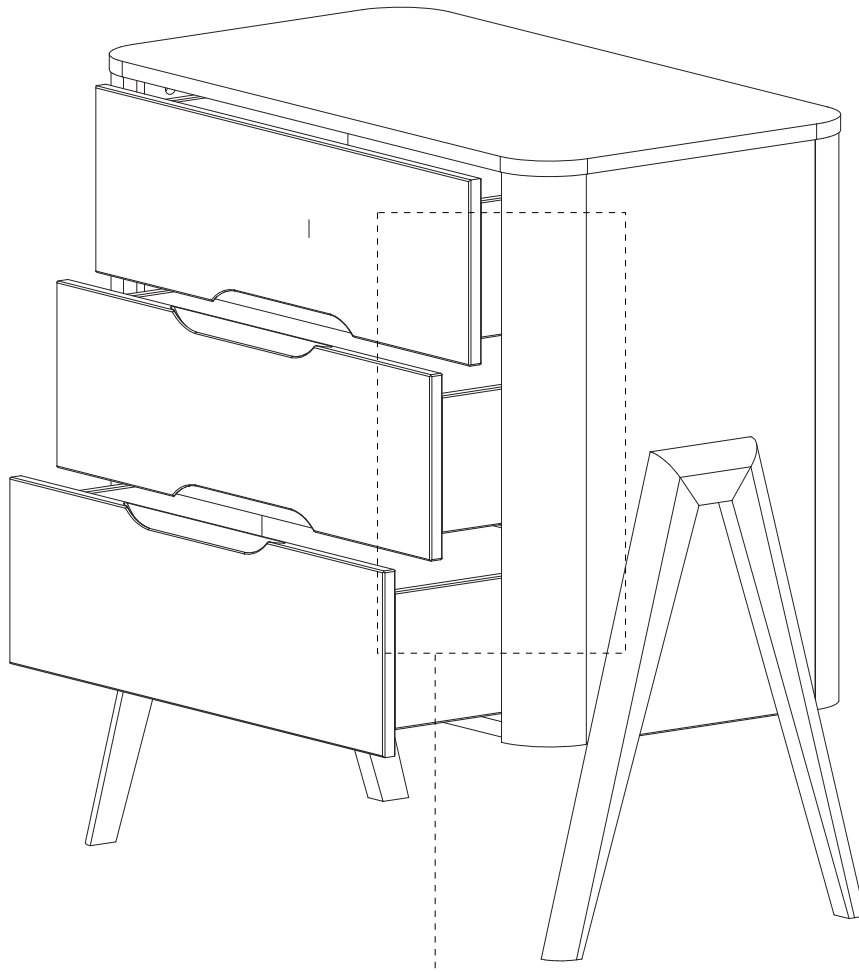
D x 24



x3

ASSEMBLY

10



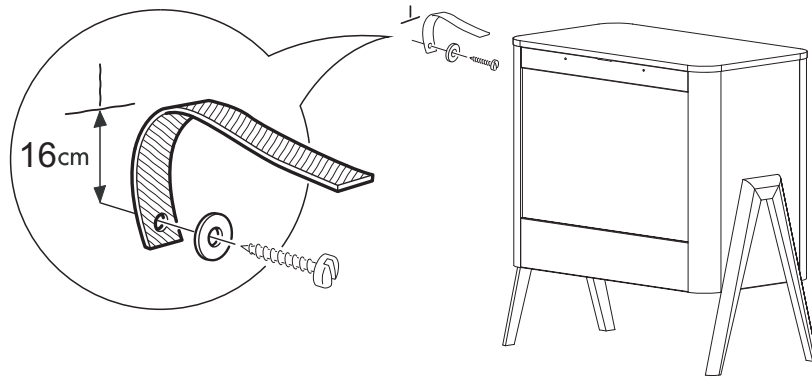
WALL ATTACHMENT INSTRUCTIONS

1. Place in position in room.

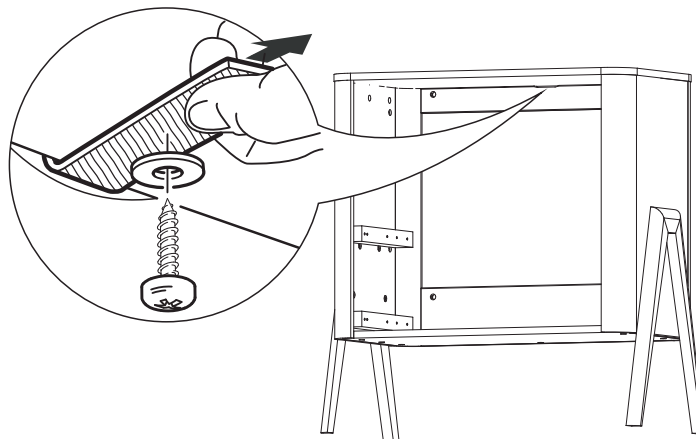
Mark the wall



2. Attach fixing strap supplied to position on wall as shown. Ensure correct screws and fittings as appropriate to the type of wall are used. Check the wall is suitable for attaching this furniture.



3. Using the wood screw and washer supplied attach fixing strap to the underside of top panel.



WARNING:

Ensure strap is attached securely at both ends to avoid danger of furniture tipping forwards.

This installation should only be carried out by a competent person. Incorrect installation could present a danger.

Check the wall is suitable for attachment and will withstand the forces generated by furniture tipping forward.