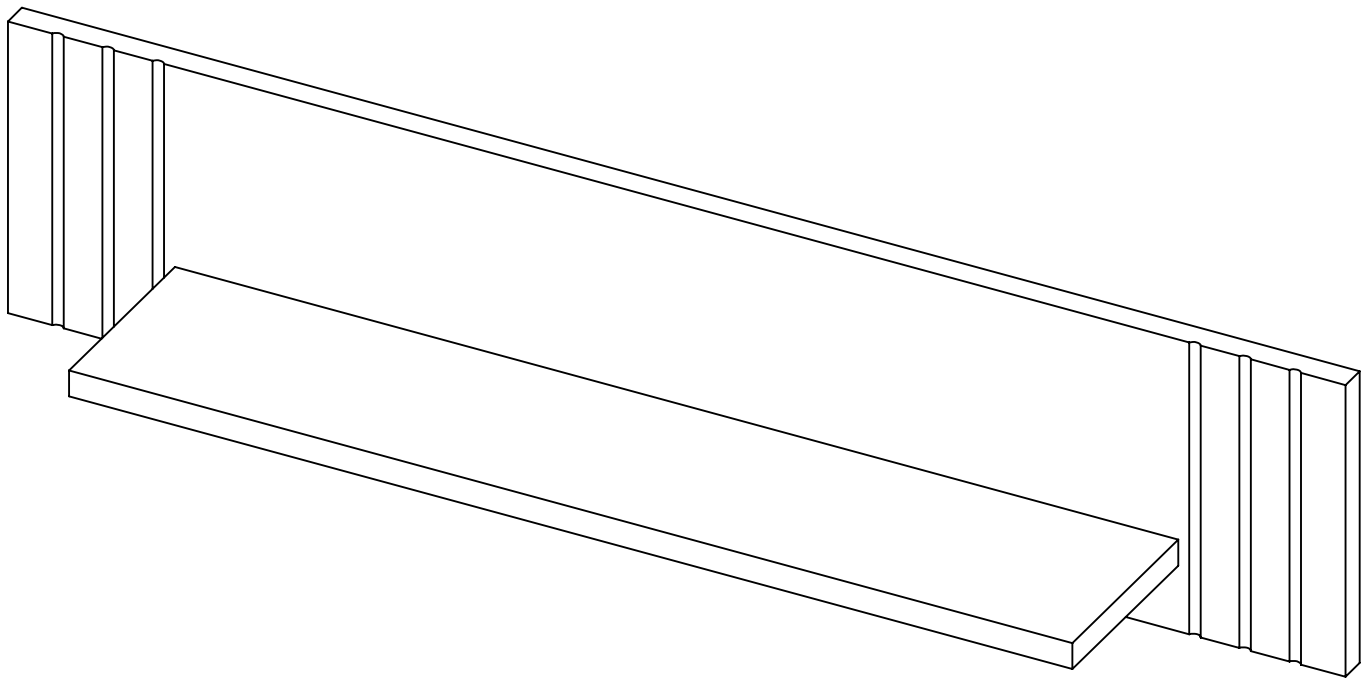


CuddleCo[®]

Rafi Shelf Assembly Instructions



IMPORTANT, PLEASE RETAIN
FOR FUTURE REFERENCE.
PLEASE READ CAREFULLY.

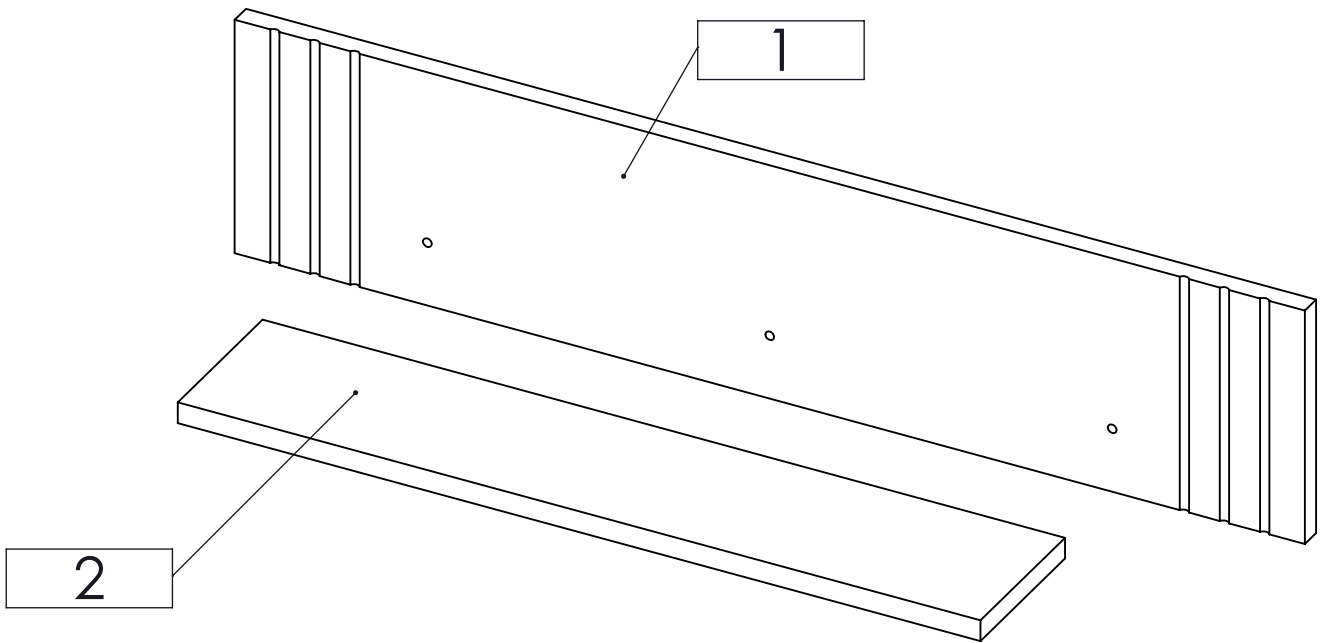
www.cuddleco.co.uk

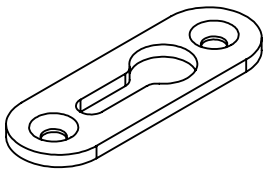
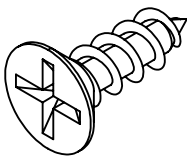
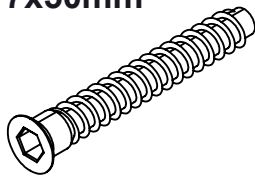
IMPORTANT! RETAIN FOR FUTURE REFERENCE. READ CAREFULLY

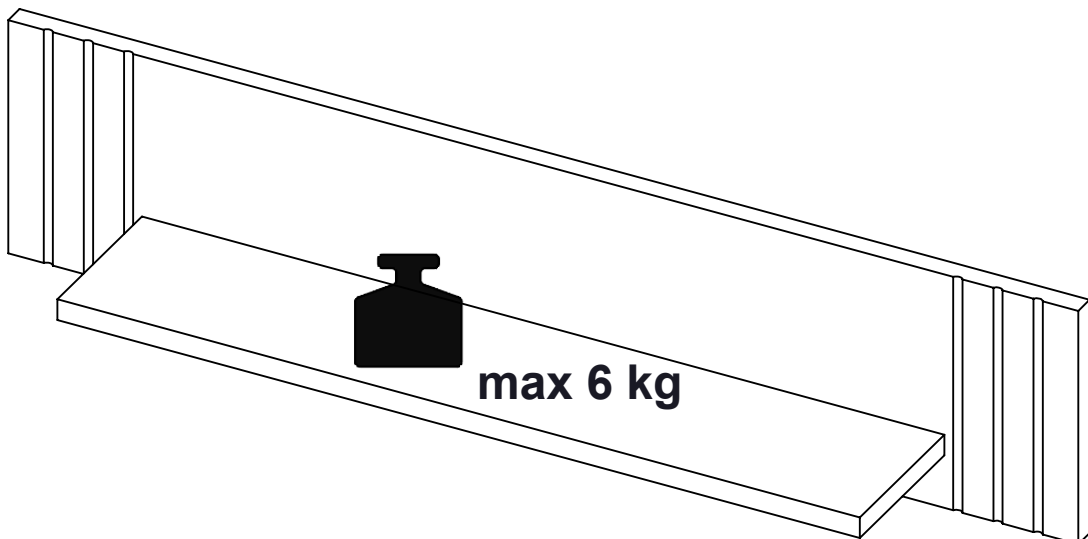
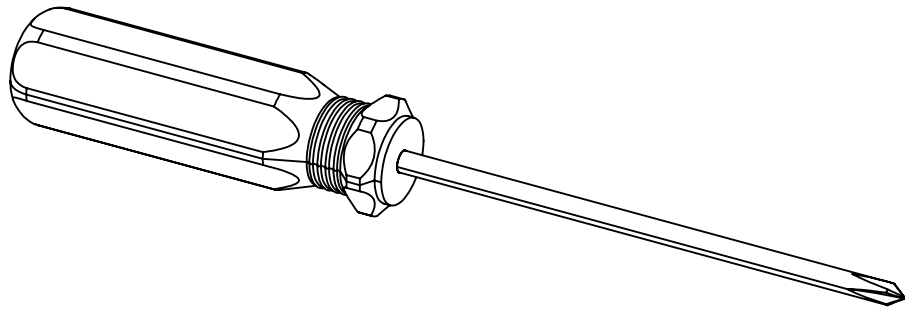
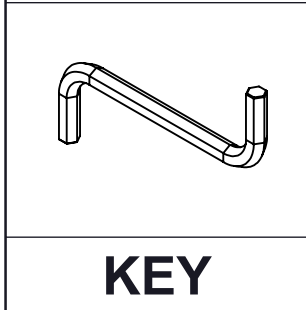
- All assembly fittings should always be tightened properly and checked regularly
- Be aware of the risk of burning cigarettes, open fires, and other sources of strong heat, such as electric bar fires, gas fires, etc. in the near vicinity of the unit
- Always leave the unit clean and dry, wipe up spillages immediately. The product may be cleaned with a damp cloth and diluted washing detergent, it should be dried immediately with a soft clean cloth. Do not use abrasives, bleach, alcohol or ammonia based household polishes.
- DO NOT use the unit if any part is missing, damaged or broken. Contact CuddleCo Customer services for replacement parts and instructional literature if needed. DO NOT substitute parts.
- Furniture can be dangerous if incorrectly installed, assembly should be carried out by a competent person
- Follow the instructions in detail to ensure the safety features of the item are not compromised
- Take care when handling or moving furniture. Careless handling can cause damage
- During assembly children should be kept away from the product due to the possible risk of injury
- Remove all parts from packaging and check against the parts list
- Do not discard any packaging until you are sure you have all parts and the fittings pack
- This product is suitable for use by a child in the age range 3 – 12 years
- Attachment devices are provided with your product, however you will need to source suitable fixings for your wall type. If in doubt please contact a qualified tradesperson.
- Always ensure the wall to be drilled is free from hidden electrical wires, water & gas pipes
- To prevent overloading we recommended the following maximum weights:
 - Shelves: 6kg

For questions and advice regarding this product please contact CuddleCo Customer services at: customerservice@cuddleco.co.uk or go to www.cuddleco.co.uk

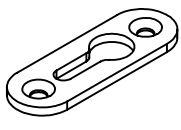

3 Parts List / Fittings List

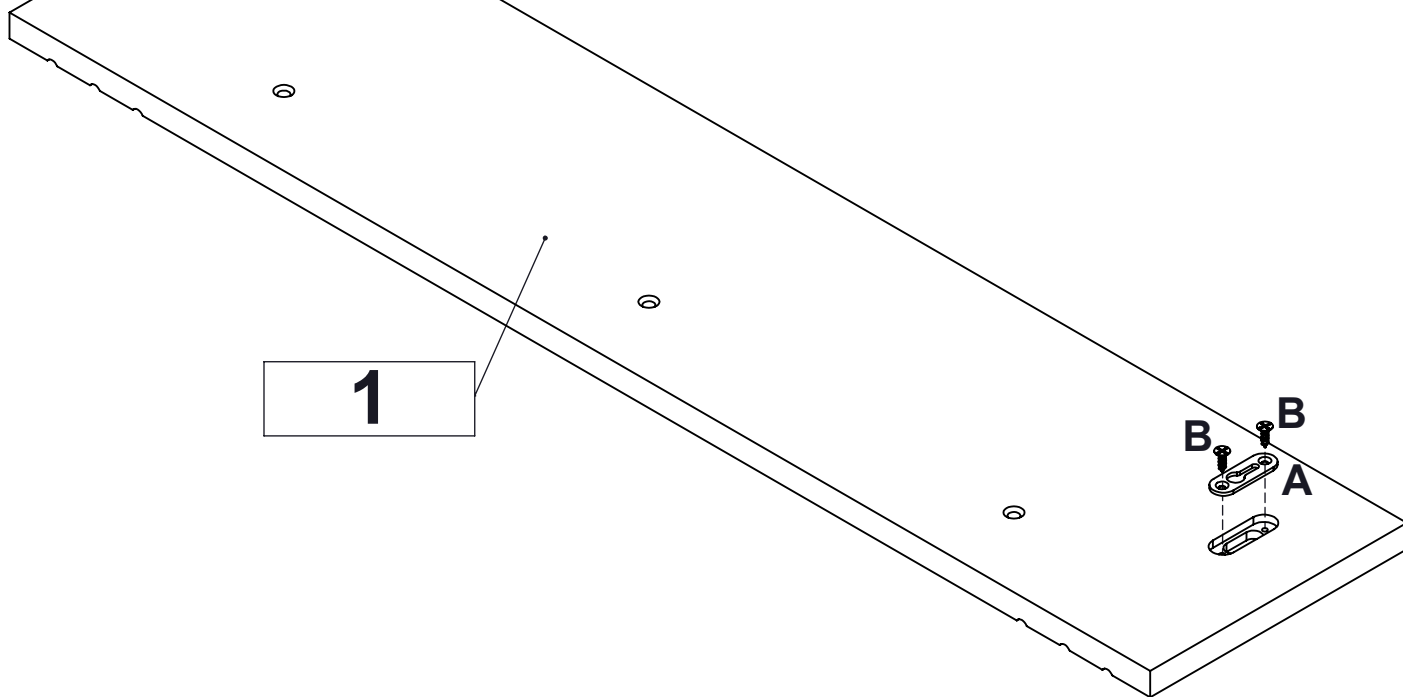
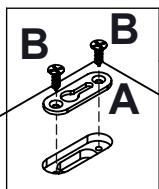
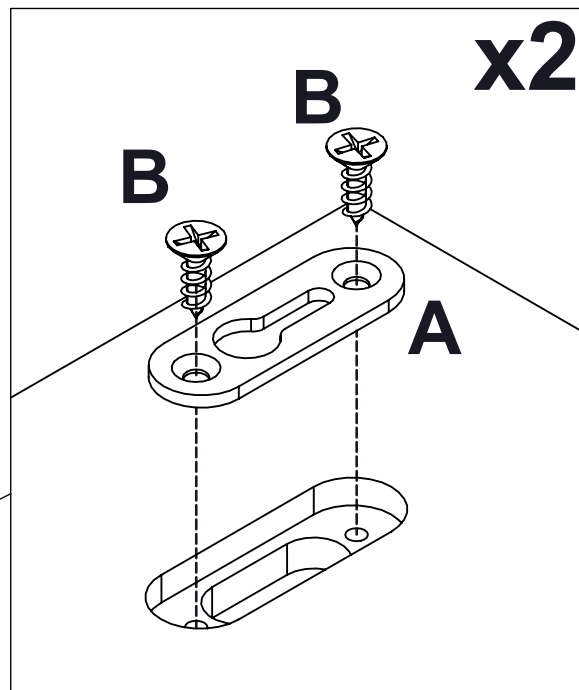
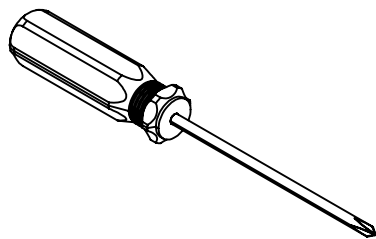


	3x13mm 	7x50mm 
A x 2	B x 4	C x 3



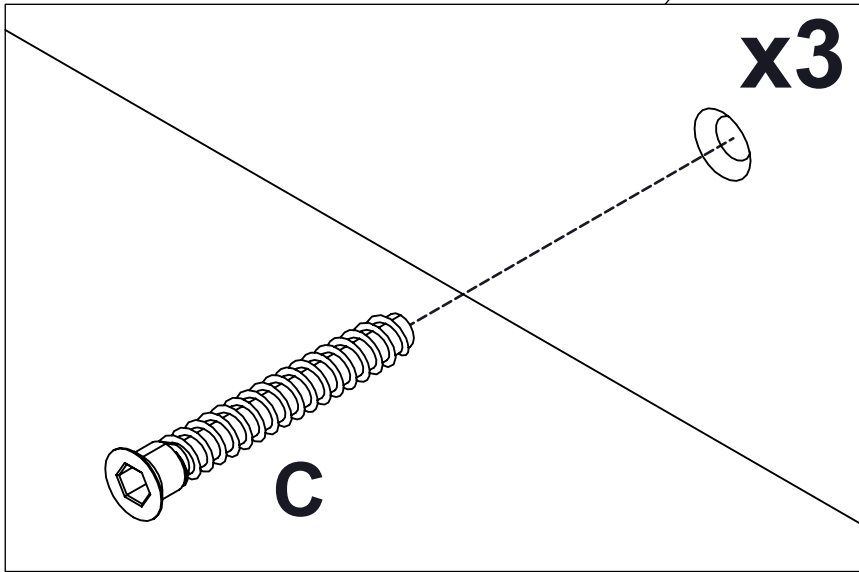
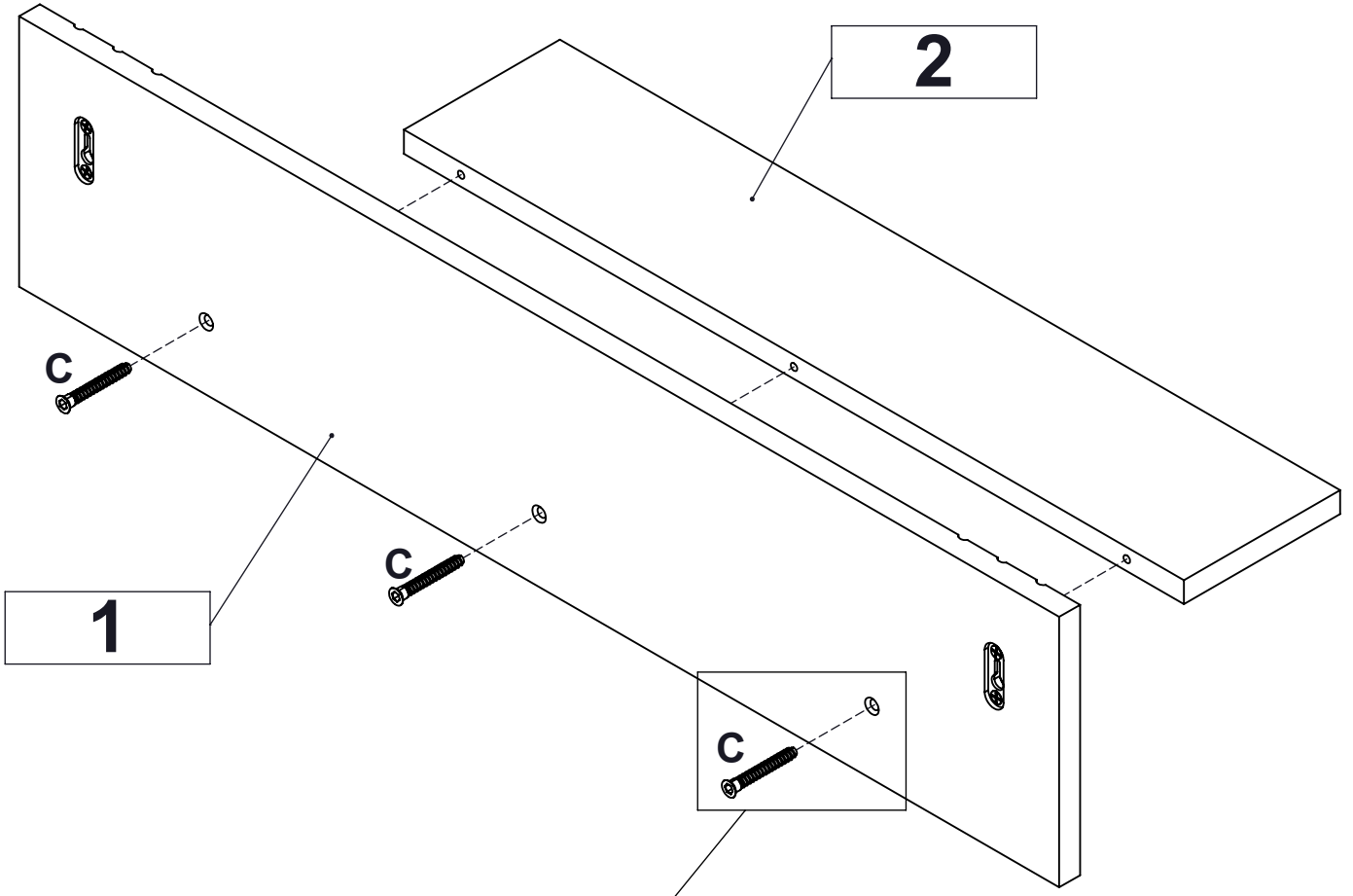
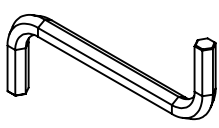
4 Shelf Assembly Step-1

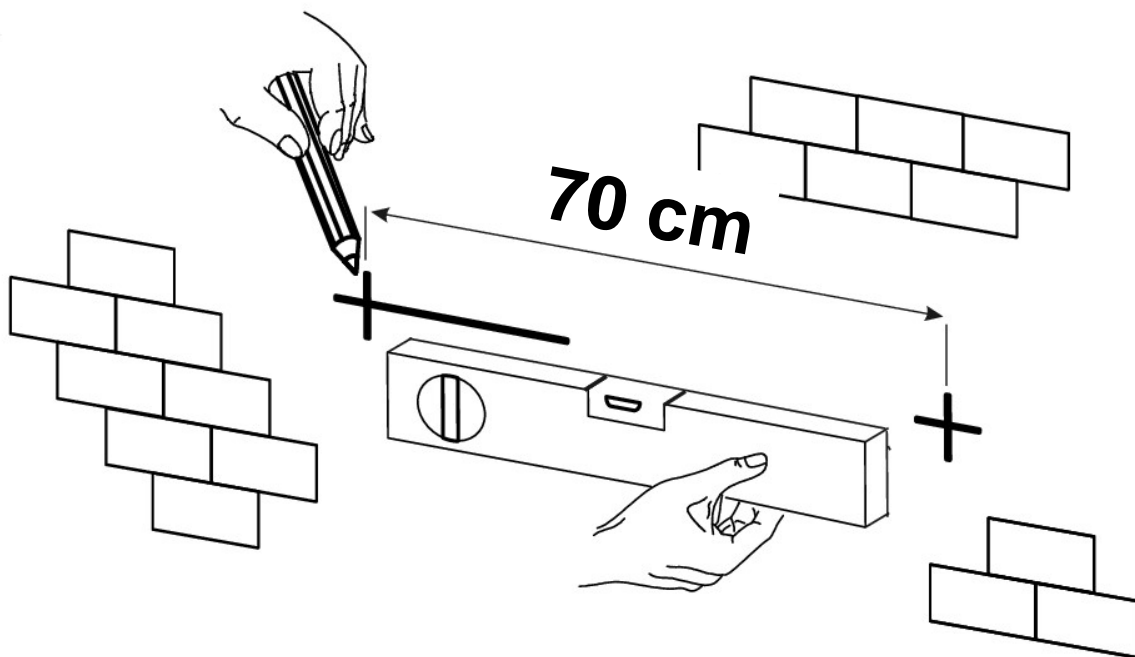
	 3x13mm
A x 2	B x 4



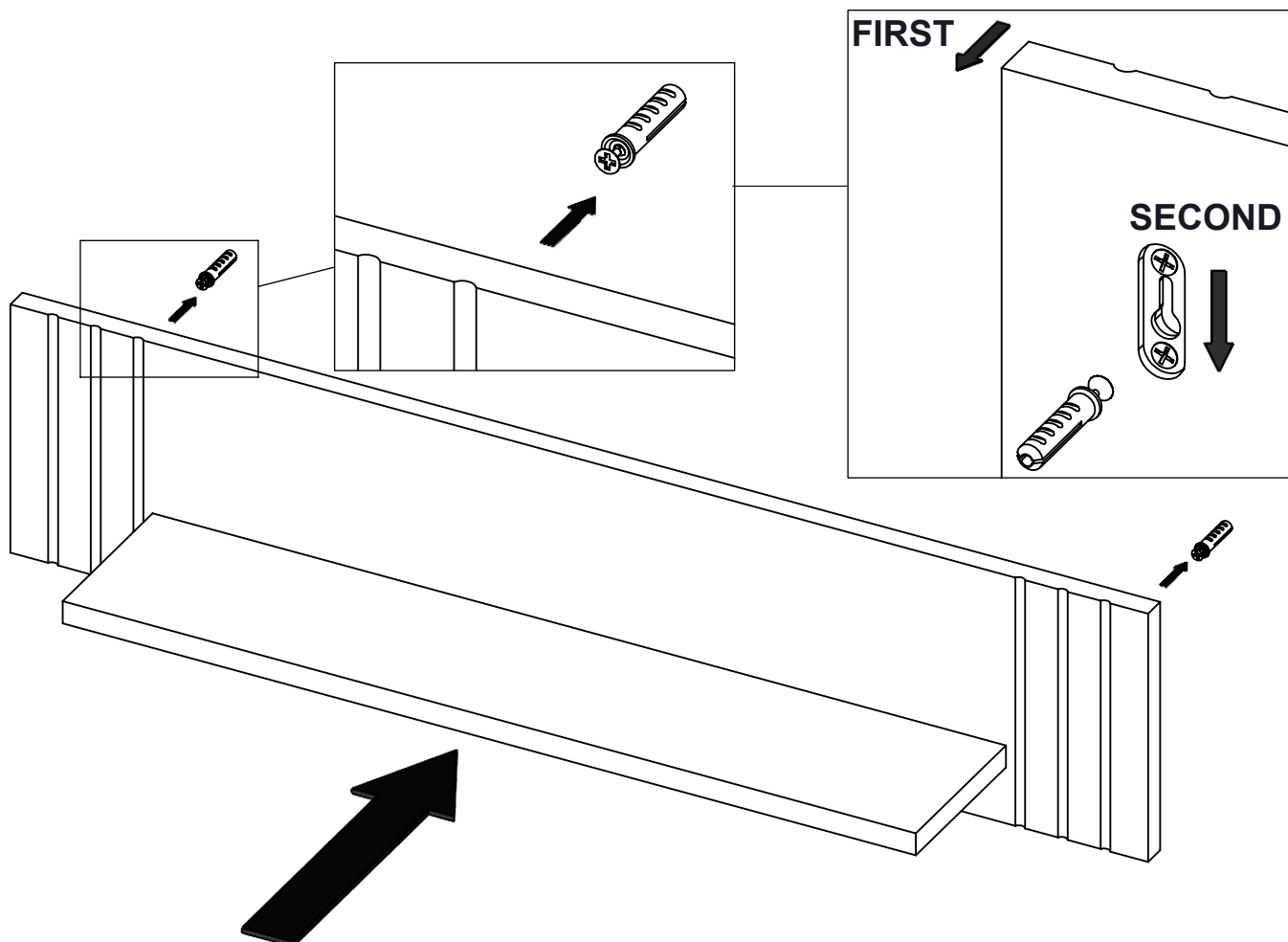
5 Shelf Assembly Step-2

7x50mm
C x 3





WALL FIXINGS NOT SUPPLIED, USE SUITABLE FIXINGS FOR YOUR WALL TYPE



CuddleCo[®]

Visit our website www.cuddleco.co.uk for other nursery must haves including mattresses, nursing pillows, blankets etc.

Other brands available on www.cuddleco.co.uk

Mother&Baby **doona[™]**



@cuddlecouk



@cuddlecouk

CuddleCo.2 Brindley Road,
Trafford Park, Manchester, M16 9HQ