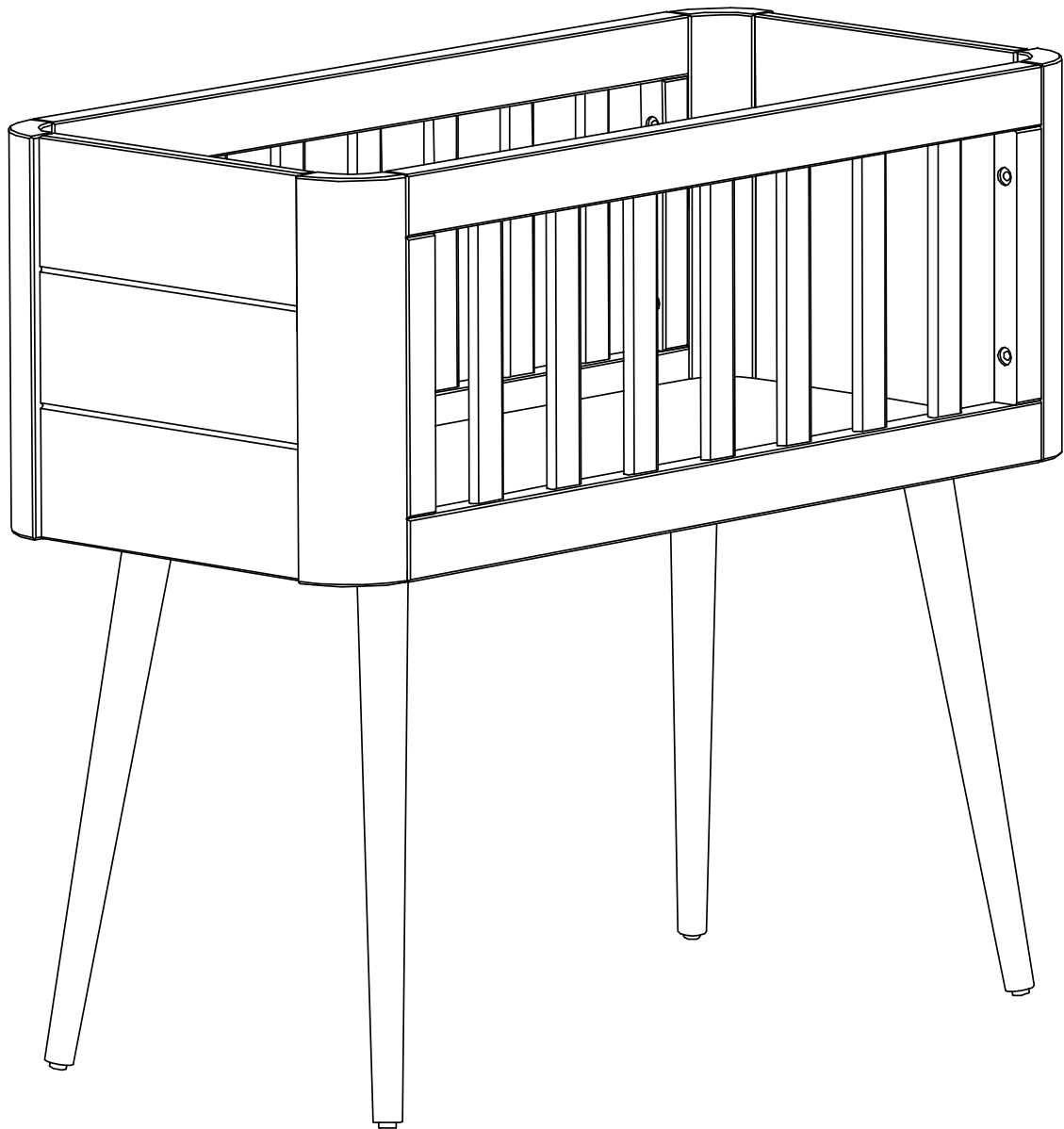
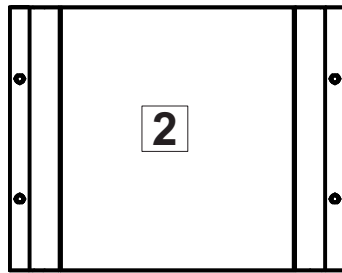
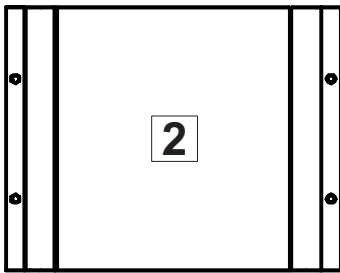
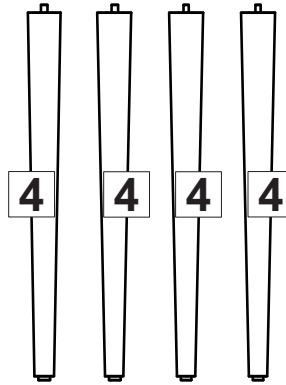
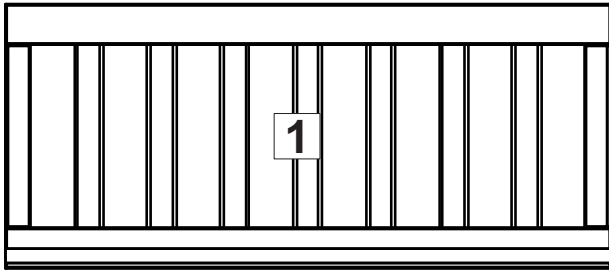
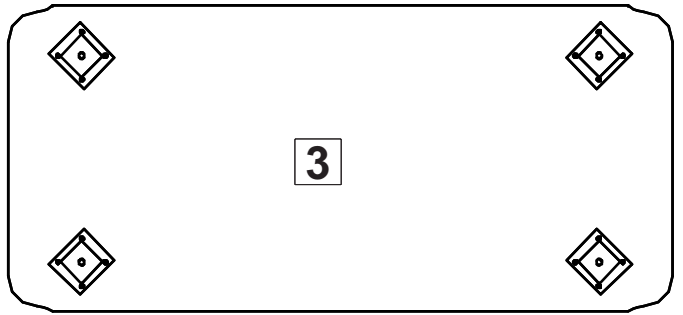
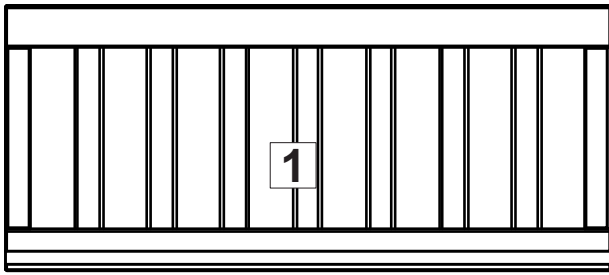


RETRO



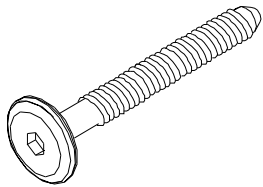
TROLL NURSERY

Parts list

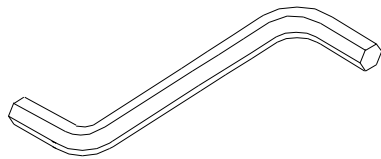


Fittings list

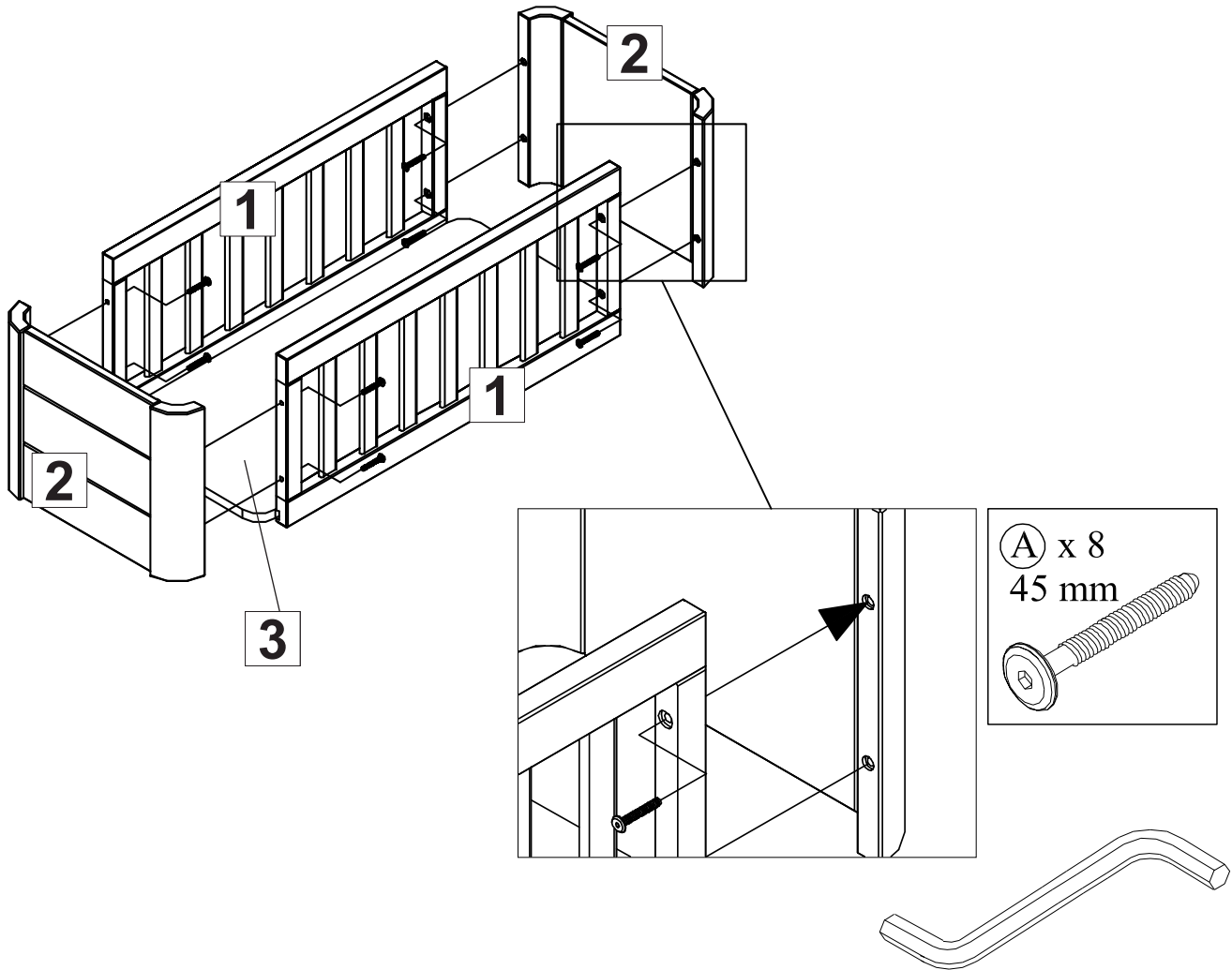
Ⓐ = 8
45 mm



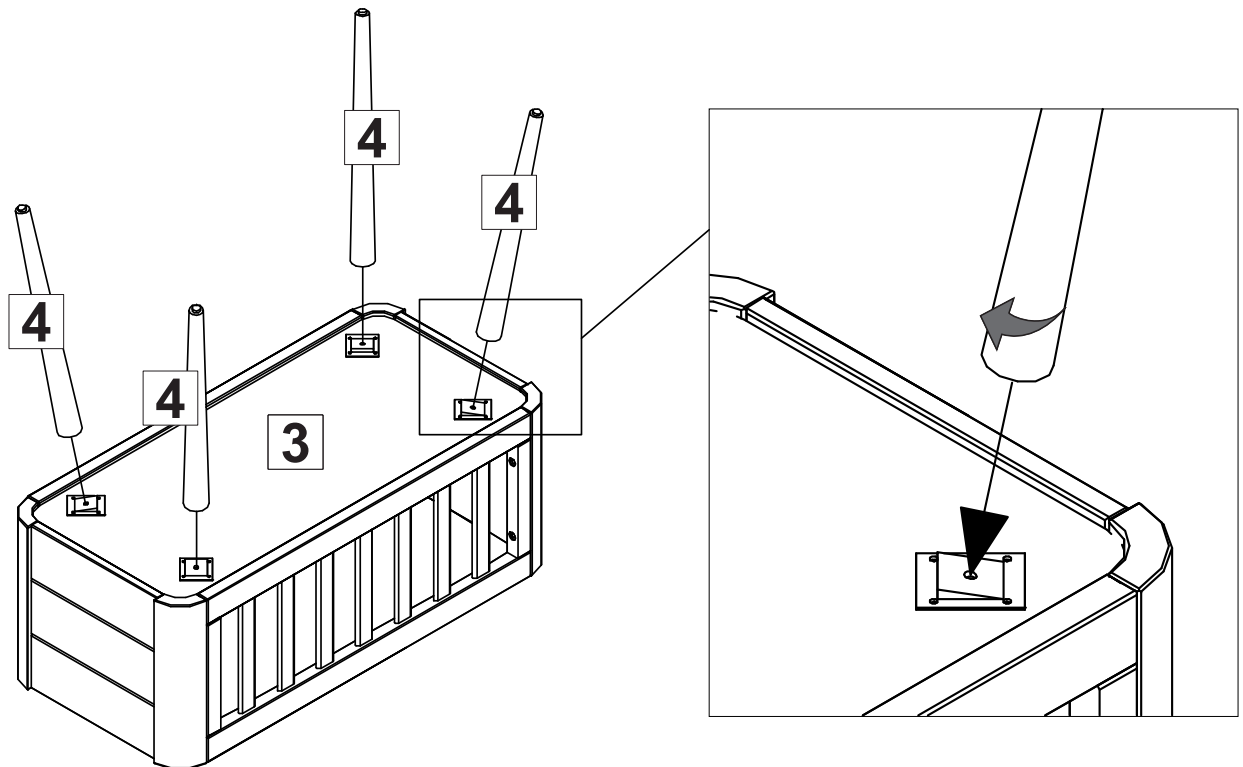
Ⓑ = 1



1



2



ENG

IMPORTANT! READ CAREFULLY AND KEEP FOR FUTURE REFERENCE

WARNING - Do not use this product without reading the instructions for use first;

WARNING - Stop using the product as soon as the child can sit or kneel or pull itself up;

WARNING - Placing additional items in the product may cause suffocation;

WARNING - Do not place the product close to another product, which could present a danger of suffocation or strangulation, e.g. strings, blind/curtain cords, etc.;

WARNING - Do not use more than one mattress in the product.

Your child's safety is your responsibility.

Remove all parts from packaging and check against the parts list.

Do not discard any packaging until you are sure you have all parts and the pack of fittings.

You will find it easier to assemble the crib if a second adult is available to help you.

Furniture can be dangerous if incorrectly installed. Assembly should be carried out by a competent person.

Keep children clear during assembly as pack contains small parts which may present a choking hazard.

Do not use if any part is broken or missing.

One end of the crib has a mark indicating the height of the mattress.

The crib should be placed on a horizontal floor.

Young children should not be allowed to play in the vicinity of the crib.

WARNING: When your child is left unsupervised in the crib, lock the crib in the fixed position.

All assembly fittings should always be tightened properly and care should be taken that no screws are loose, because a child could trap parts of the body or clothing (e.g. strings, necklaces, ribbons for babies' dummies, etc.), which would pose a risk of strangulation.

The recommended mattress size: 38x89cm, mattress must not exceed 5cm thickness.

The thickness of the mattress must not reduce the internal depth from mattress surface to top of the crib side above it to less than 200 mm.

Ensure that the crib is kept away from strong heat sources such as burning cigarettes, open fires and other sources of strong heat, such as electric bar fires, gas fires, etc

To clean use a damp cloth, avoiding the use of strong detergents or abrasives.

"DO NOT use crib if any parts are missing, damaged, or broken. Contact -Troll Nursery for replacement parts and instructional literature if needed. DO NOT substitute parts"

Comforms to EN 1130 : 2019

For questions and advice regarding this product please contact CuddleCo
Customer services at: customerservice@cuddleco.co.uk or go to www.cuddleco.co.uk