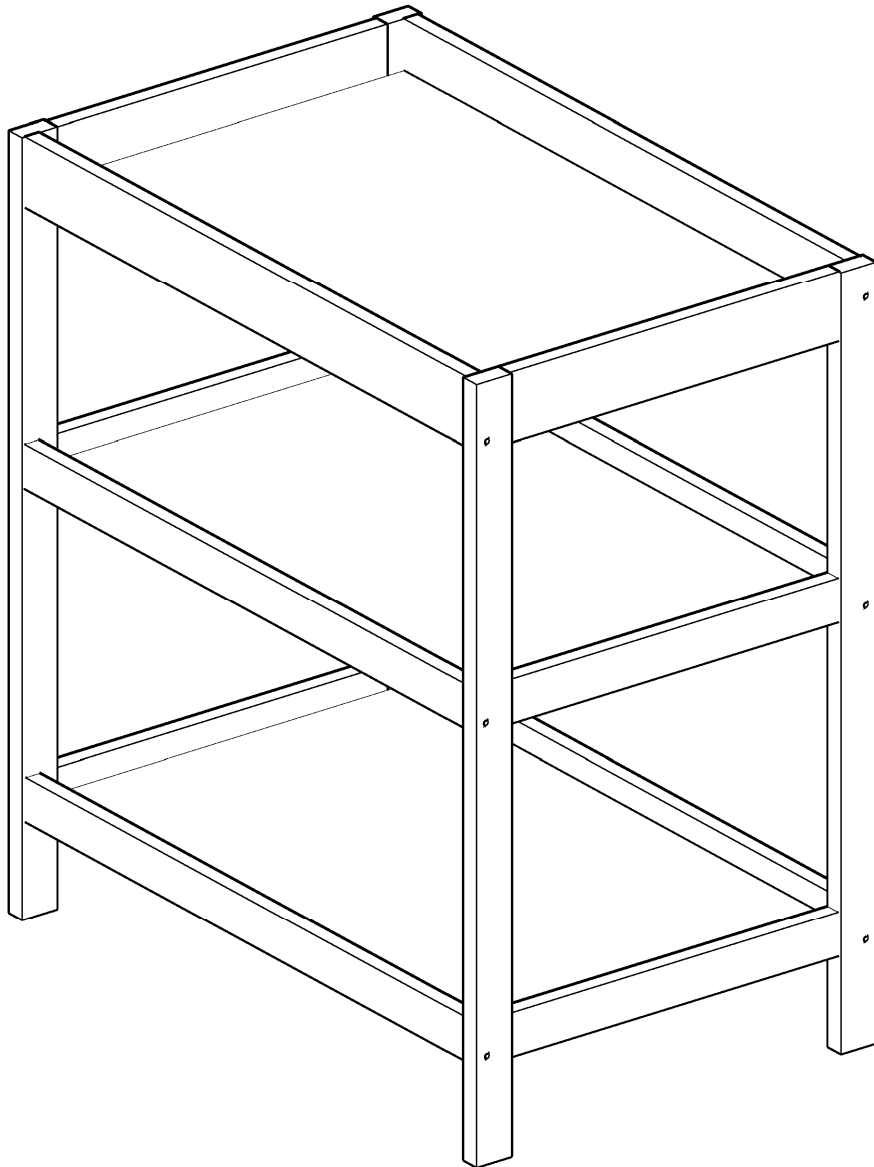




NOLA Changer  
Assembly instructions



**IMPORTANT, RETAIN FOR FUTURE REFERENCE:  
READ CAREFULLY**

# SAFETY WARNINGS

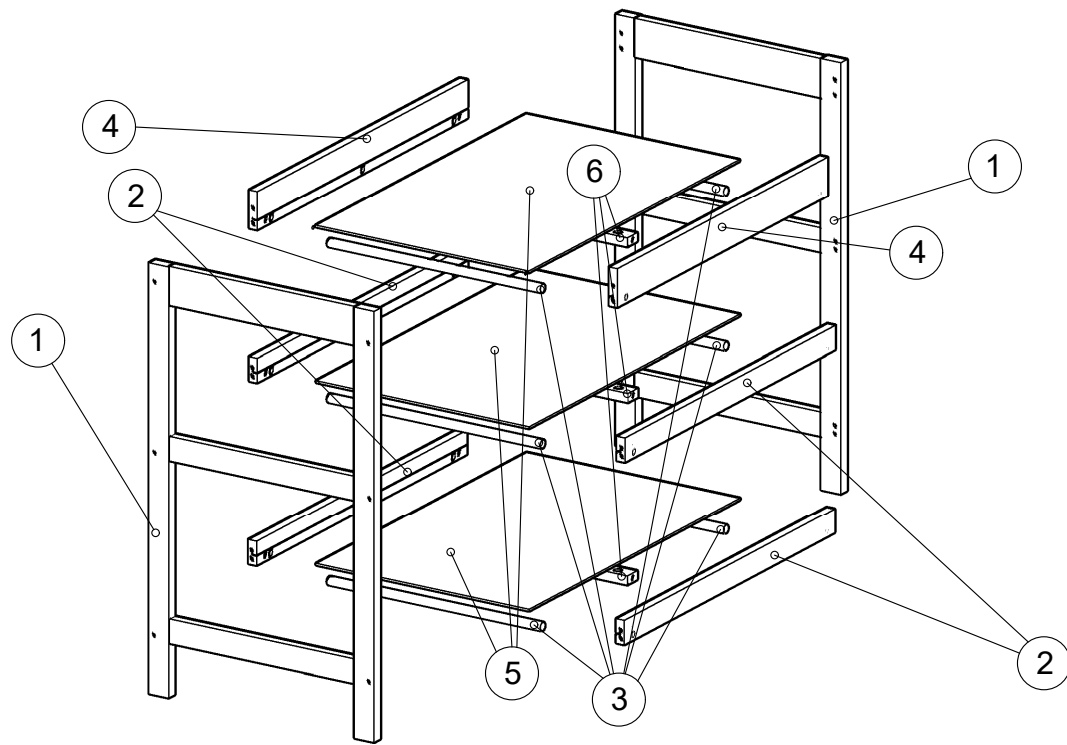
**WARNING:** Do not use this product without reading the instructions for use first

**WARNING:** Do not leave the child unattended



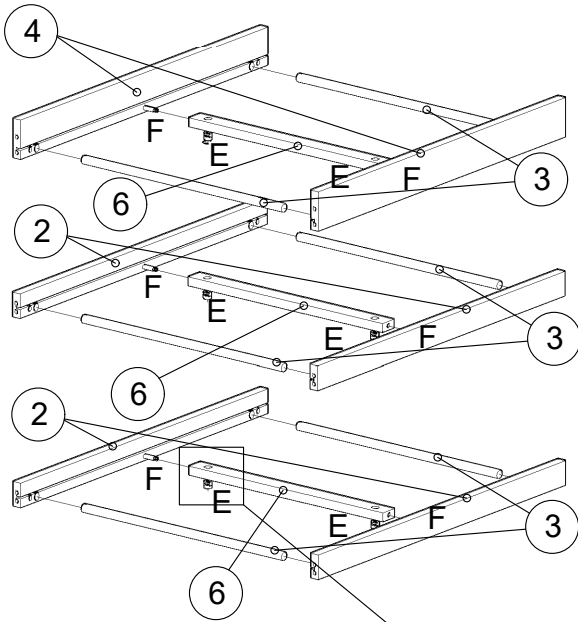
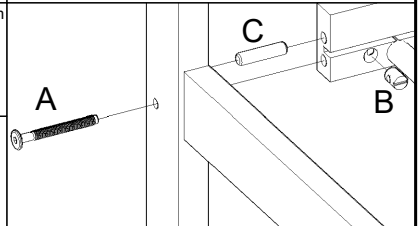
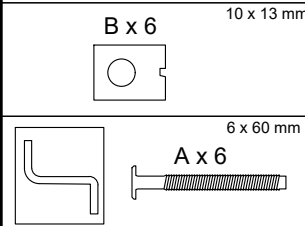
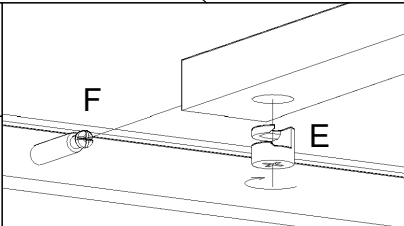
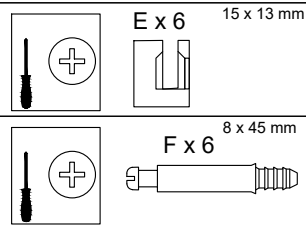
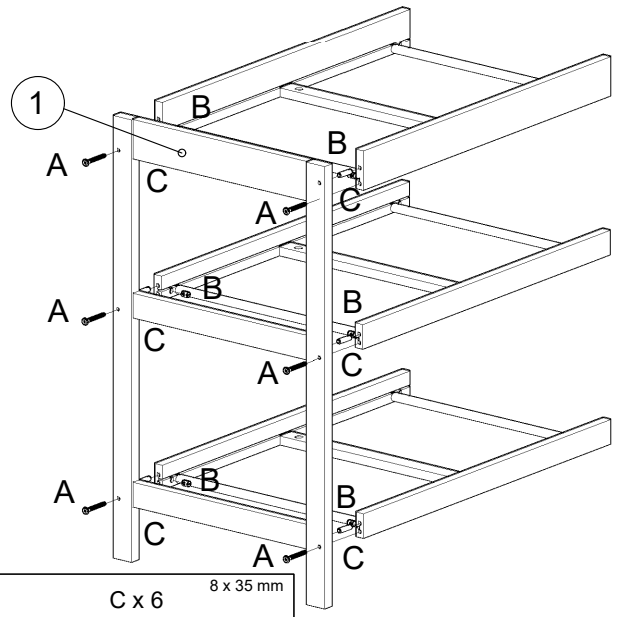
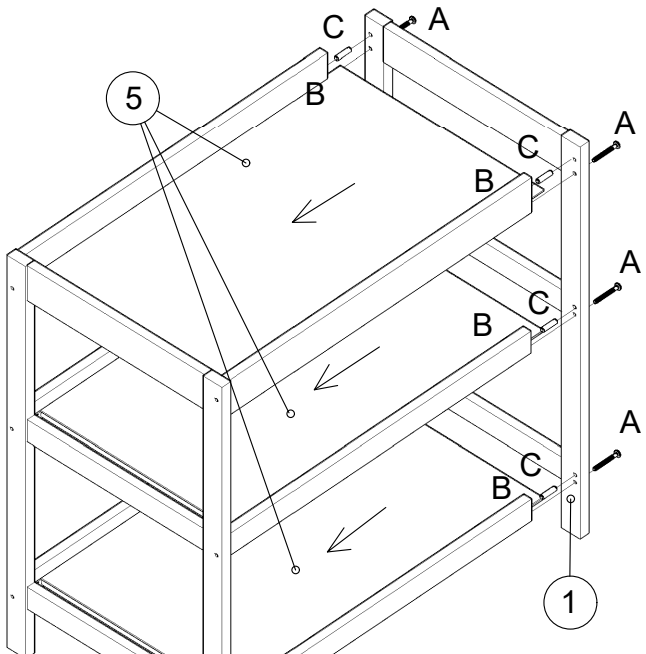
- All assembly fittings should always be tightened properly and checked regularly
- Be aware of the risk of burning cigarettes, open fires, and other sources of strong heat, such as electric bar fires, gas fires, etc. in the near vicinity of the changing unit
- Always leave the unit clean and dry, wipe up spillages immediately. The product may be cleaned with a damp cloth and diluted washing detergent, it should be dried immediately with a soft clean cloth. Do not use abrasives, bleach, alcohol or ammonia based household polishes.
- A changing mat is not supplied with the changing unit. Recommended changing mat size is 75 x 45cm. Lay the mat on the top surface within the retaining barriers
- This changing unit is intended for children up to 12 months old, up to 11kg
- DO NOT use the unit if any part is missing, damaged or broken. Contact CuddleCo Customer services for replacement parts and instructional literature if needed. DO NOT substitute parts.
- Your child's safety is your responsibility
- Young children should not be allowed to play unsupervised in the vicinity of the changing unit
- Furniture can be dangerous if incorrectly installed, assembly should be carried out by a competent person
- Follow the instructions in detail to ensure the safety features of the item are not compromised
- Take care when handling or moving furniture. Careless handling can cause damage
- Keep children away during assembly as pack contains small parts which may present a choking hazard
- Remove all parts from packaging and check against the parts list
- Do not discard any packaging until you are sure you have all parts and the fittings pack
- Assembly of the furniture will be easier with 2 people
- The use of electrical power tools to assemble the furniture is not recommended
- The changing unit is made to conform to safety regulation: BS EN 12221:2008+A1:2013

For questions and advice regarding this product please contact CuddleCo Customer services at: [customerservice@cuddleco.co.uk](mailto:customerservice@cuddleco.co.uk) or go to [www.cuddleco.co.uk](http://www.cuddleco.co.uk)



Ref	Dimensions	Visual	Qty	Ctn
1	90 x 52 cm		2	1
2	77 x 5 cm		4	1
3	50 x 2 cm		6	1
4	77 x 8 cm		2	1
5	77 x 50 cm		3	1
6	48 x 3.5 cm		3	1

Ref	Dimensions	Qty	mm
A	6 x 60 mm	12	
B	10 x 13 mm	12	
C	N/A	1	
D	8 x 35 mm	12	
E	15 x 13 mm	6	
F	8 x 45 mm	6	
G	9 x 9 mm	2	
H	3 x 16 mm	2	

**1****2****3****4**