



# CuddleCo<sup>®</sup>

Designed to care, built to last.

## Juliet Cot Bed Assembly Instructions



**2** ★★★★★  
year  
extended  
guarantee  
Simply register within 28 days!

**IMPORTANT, PLEASE RETAIN  
FOR FUTURE REFERENCE.  
PLEASE READ CAREFULLY**

DESIGNED IN THE UK

[www.cuddleco.co.uk](http://www.cuddleco.co.uk)

## PLEASE KEEP FOR FUTURE REFERENCE AND READ THIS DOCUMENT CAREFULLY

Thank you for buying this CuddleCo Cot Bed.

The Cot bed has been tested to the following British standards:

In Cot mode – BS EN 716 -1 :2017.

In Toddler bed mode – BS 8509 : 2008 + A1 : 2011.

The paint is tested to EN 71 part 3 heavy metal content.

**IT IS VITALLY IMPORTANT** to follow the user guide step by step and to ensure that all fittings are tightened appropriately. If you don't do this, the product will not be assembled correctly and could be dangerous.

Familiarise yourself with all parts by comparing them with the parts checklist on the next page. Check the floor area in which you will assemble the furniture for any loose items that could scratch or damage components. Use a protective sheet.

Please take note of the following **WARNINGS**:

**WARNING:** A child's safety is your responsibility.

**WARNING:** Assembly should be carried out by a competent adult only.

**WARNING:** Do not use more than one mattress in the cot bed.

**WARNING:** Do not use the child's bed near heat sources, windows and other furniture.

**WARNING:** Be aware of the risk of open fire and other sources of strong heat, such as electric bar fires, gas fires, etc. in the near vicinity of the cot bed;

**WARNING:** Do not use the child's bed if any part is broken, torn or missing and use only spare parts approved by the manufacturer.

**WARNING:** Do not leave anything in the cot or place the cot close to another product, which could provide a foothold or present a danger of suffocation or strangulation, e.g. strings, blind/curtain cords.

The recommended mattress for this cot bed is 140cm x 70cm x 10cm.

Choose a mattress that has a thickness that allows the internal height (surface of the mattress to the upper edge of the cot frame) to be at least 500mm in the lowest position of the cot base and at least 200mm in the highest position of the cot base.

All assembly fittings should always be tightened properly, checked periodically and retightened where necessary.

Children are likely to play, bounce, jump and climb on beds, therefore the child's bed should not be placed too close to other furniture or windows, blind cords, curtain pulls or other strings or cords and should be placed either tight to any wall or have a gap of 300mm between the wall and the side of the bed.

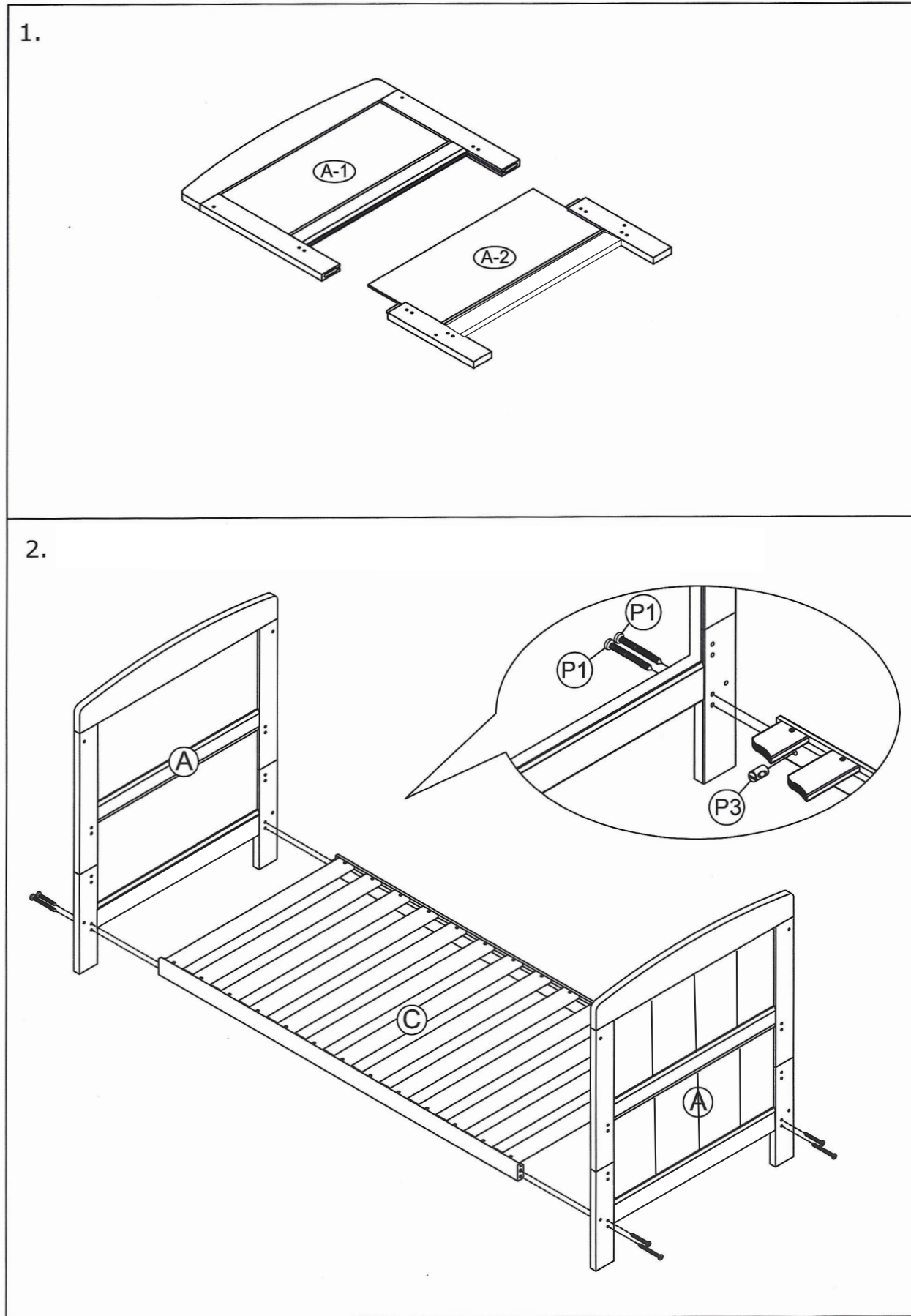
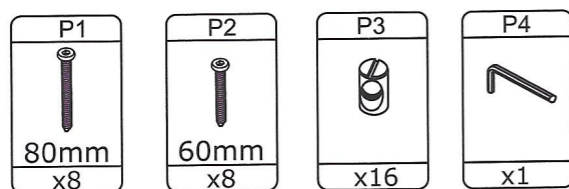
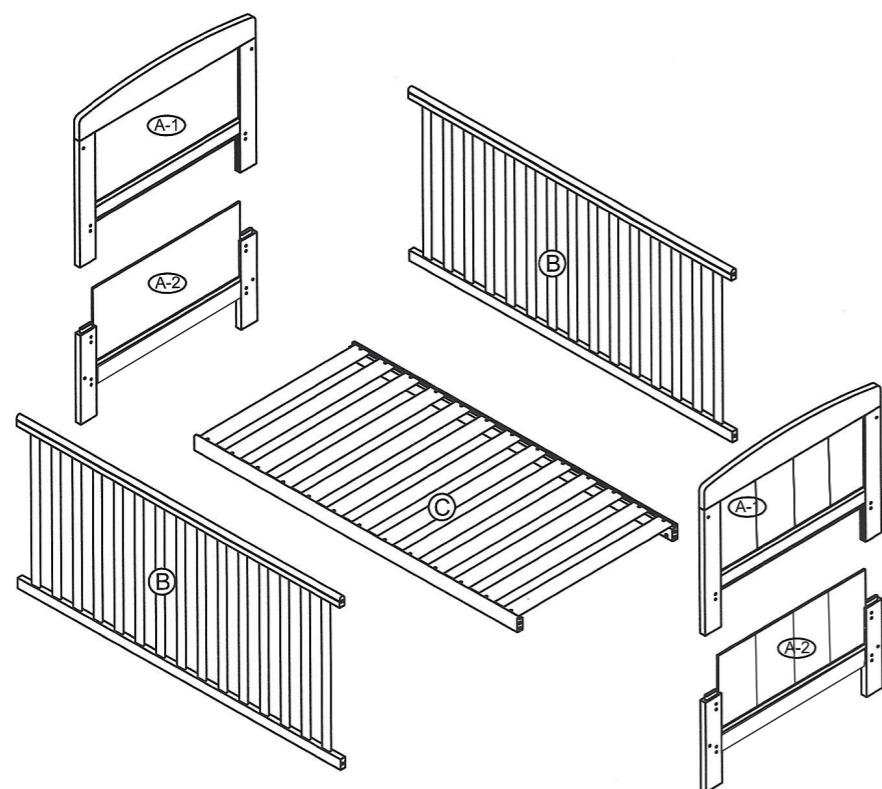
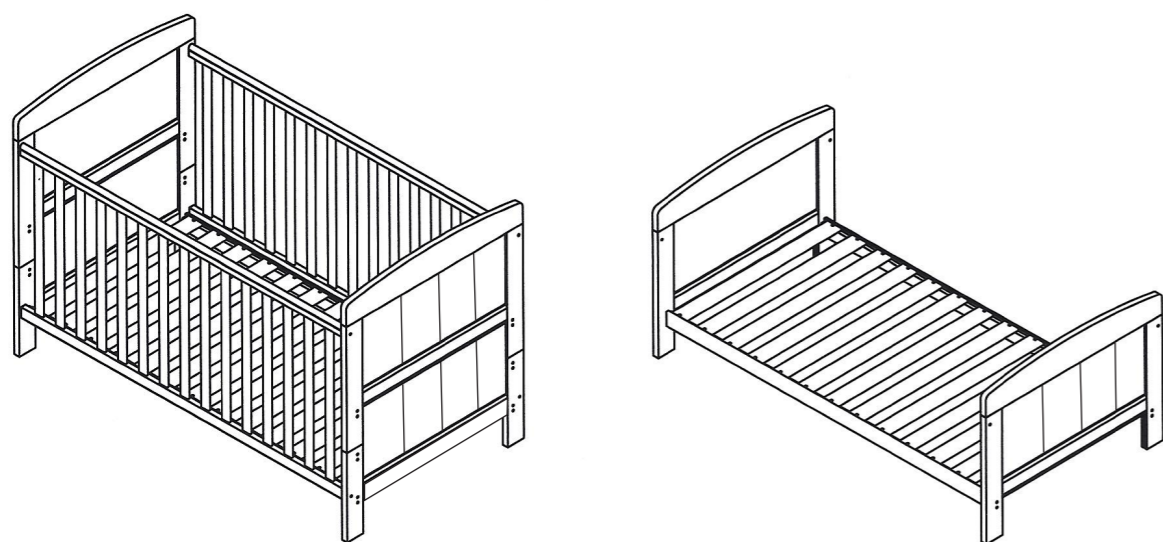
The lowest base position is the safest and should always be used as soon as the baby is old enough to sit up. When the child is able to climb out of the cot, the cot shall no longer be used for that child.

When converted into a toddler bed, this product is suitable for children aged from 18 months up to 4 years old. The bed is designed to be dismantled for storage or transportation. The length and width of the mattress used shall be such that the gap between the mattress and the sides and ends shall not exceed 30mm.

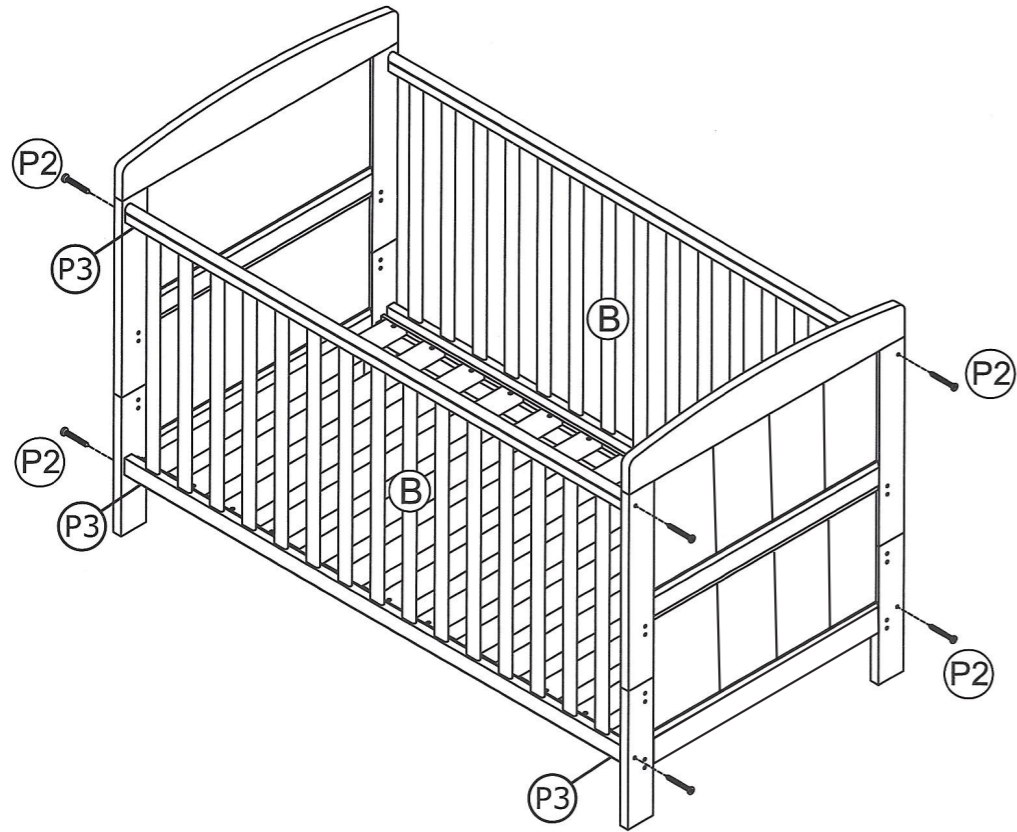
Wood is a natural material and will darken and change appearance over time.

To clean your CuddleCo Cot bed use warm water and a clean cloth. Thoroughly dry the area once you have cleaned it. Do not use detergents or bleach. Do not use bleach, abrasive substances or materials.

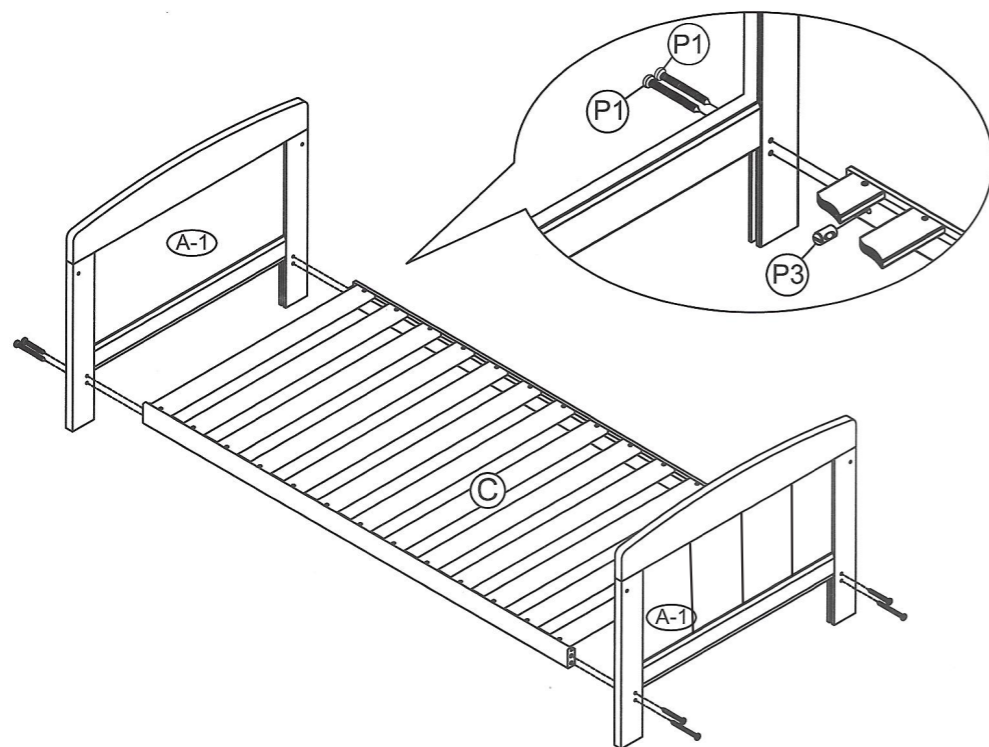
**WARNING: PLEASE NOTE THAT THE RECOMMENDED MATTRESS SIZE FOR THIS COT BED IS 140CM X 70CM X 10CM. DO NOT USE MORE THAN ONE MATTRESS IN THIS COT BED. THE COT BED COMPLIES WITH BS EN 716 -1:2017 AND BS 8509: 2008. MADE IN POLAND. CUDDLECO UK, M16 9HQ**



3.



4.





# CuddleCo<sup>®</sup>

Designed to care, built to last.

Visit our website [www.cuddleco.co.uk](http://www.cuddleco.co.uk) for other nursery must haves including mattresses, nursing pillows, blankets etc.

Other brands available on [www.cuddleco.co.uk](http://www.cuddleco.co.uk)

**Mother & Baby**      **doona<sup>™</sup>**

**CHILDHOME**  
MAKES MY LITTLE WORLD COMPLETE



@cuddlecouk



@cuddlecouk

DESIGNED IN THE UK

CuddleCo.2 Brindley Road,  
Trafford Park, Manchester, M16 9HQ

[www.cuddleco.co.uk](http://www.cuddleco.co.uk)