



+/- 5 min.

EVOLU Wooden Tray

EVOLU Houten Eettafel
EVOLU Tablette de Chaise en Bois
EVOLU Tablett Holz
EVOLU Bandeja de Madera



CHEVOTB

Montage handleiding
Assembly instructions
Notice de montage
Montageanweisungen
Istruzioni per il montaggio
Instrucciones de montar
Instruções de montagem

Childhome - AERTS N.V.
Industry zone "Blauwe Steen"
Neerveld 13A - 2550 Kontich - Belgium
info@childhome.be - www.childhome.be

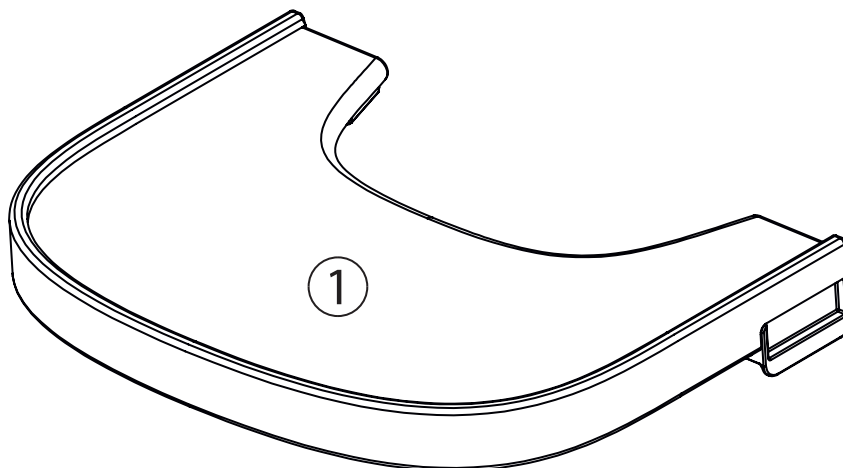
Fits
EVOLU
1+2*

* EVOLU 2 without brace
Do not use wooden tray with brace

EVOLU

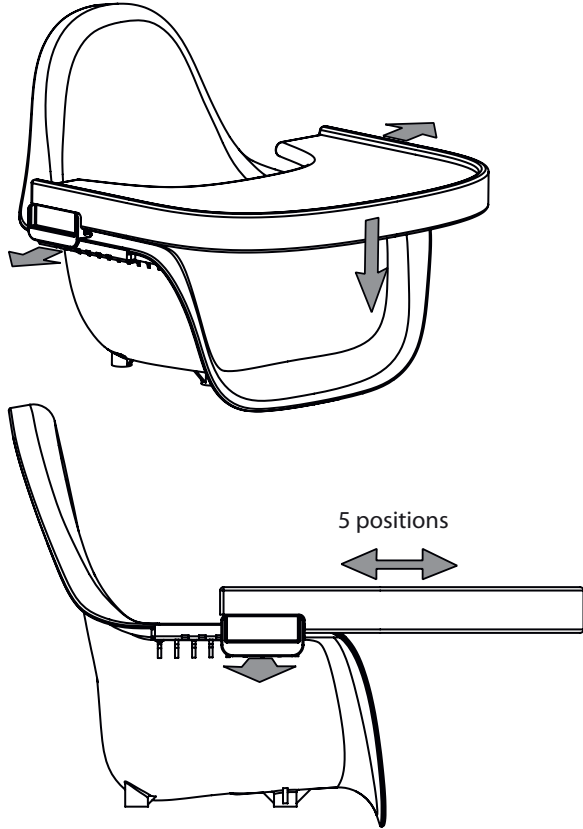


Parts



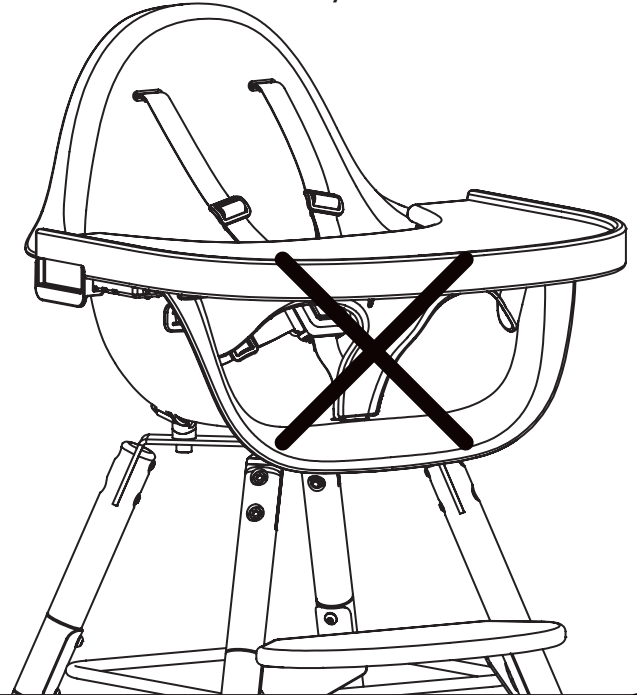
1

Attaching and adjusting the optional tray



! WARNING

Do not use wooden tray with brace



2

CHECK EVERY TIME BEFORE USE !
CONTROLEZ TOUJOURS AVANT L'UTILISATION !
CHECK EVERY TIME BEFORE USE !
PRÜFEN VOR JEDER BENUTZUNG !
SIEMPRE VERIFIQUE QUE EL USO !
VERIFIQUE SEMPRE PARA USO !
CONTROLLARE SEMPRE PER L'USO !

