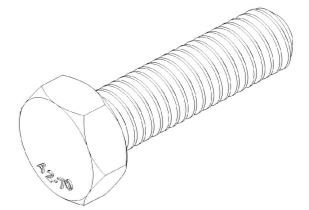
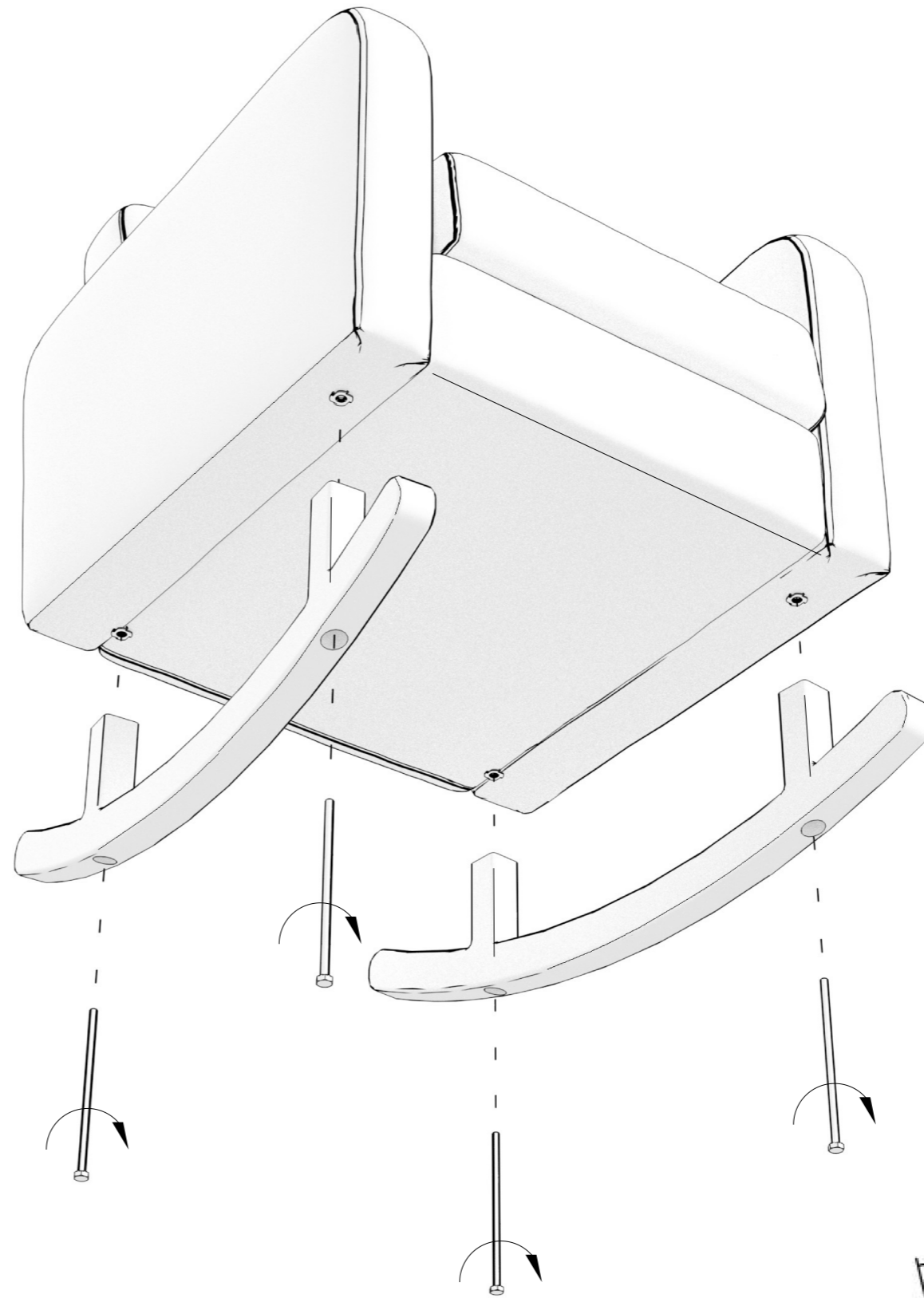
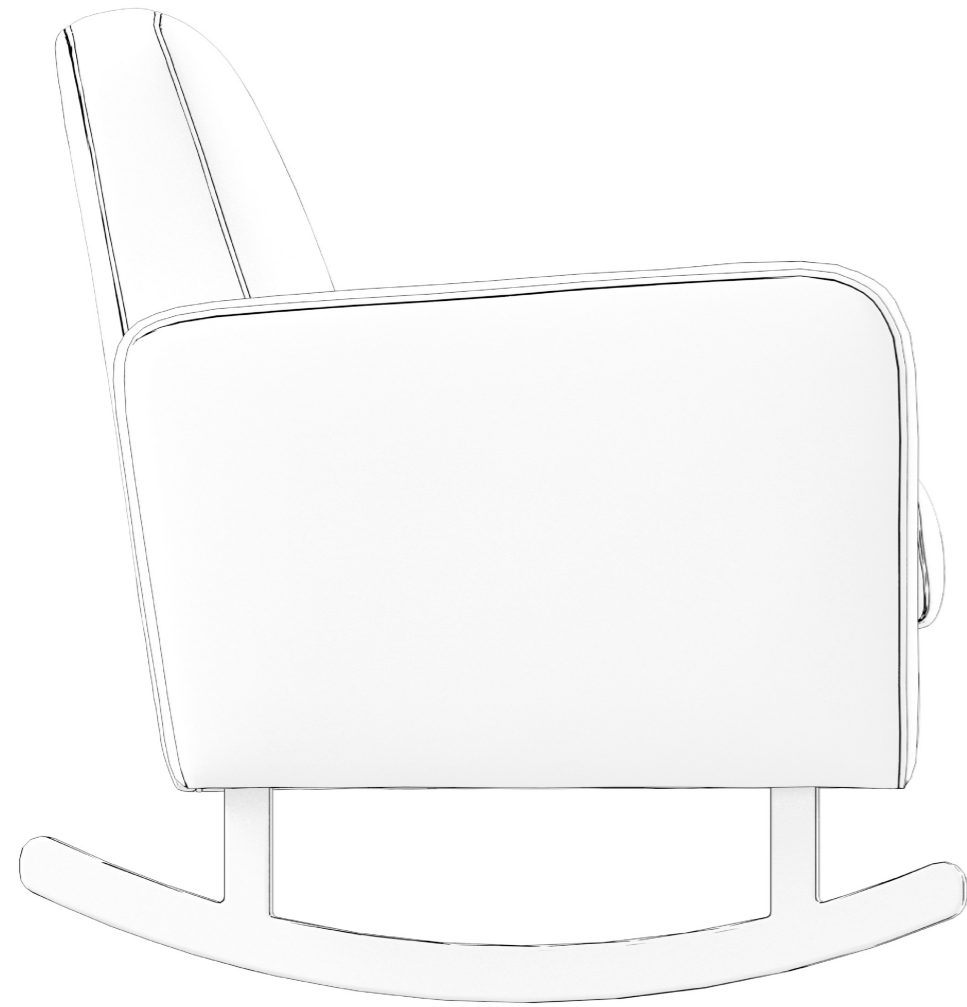


# CuddleCo®

## Etta nursing chair



4x M8x180 mm



### **i** Assembly Instructions

- (1) Screw the 4 bolts a few turns clockwise fingertight
- (2) Tighten fully using the tool provided

Note: Sponge clean with diluted detergent. Test on inconspicuous area first. Do not use bleach.

For questions and advice regarding this product please contact CuddleCo Customer services at: [customerservice@cuddleco.co.uk](mailto:customerservice@cuddleco.co.uk) or go to [www.cuddleco.co.uk](http://www.cuddleco.co.uk)

Cover Material: 100% Polyester.

