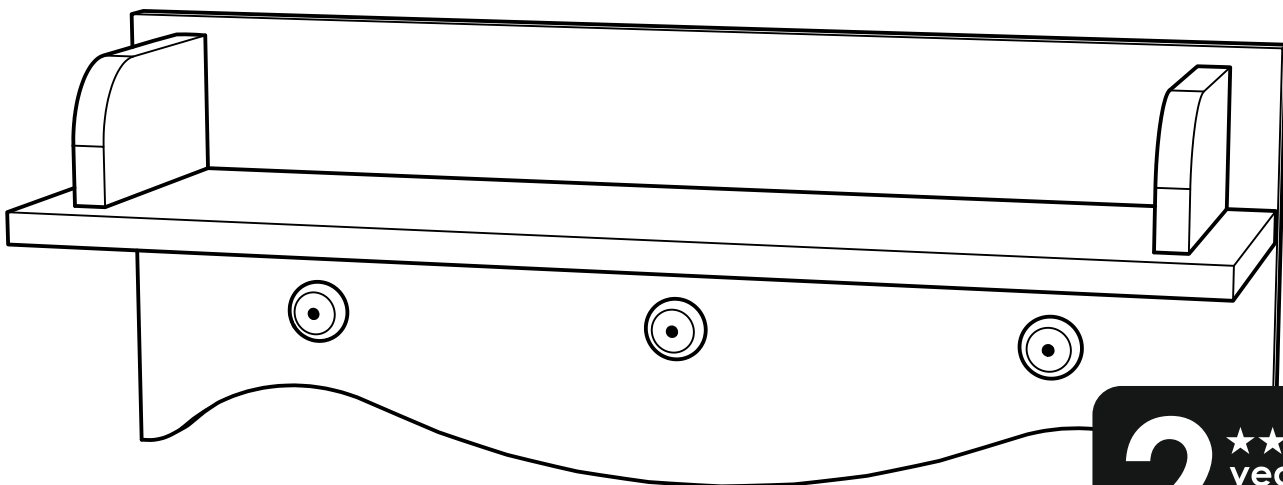




CuddleCo[®]

Designed to care, built to last.

Clara Wall shelf Assembly Instructions



2 ★★★★★
year
extended
guarantee
Simply register within 28 days!

**IMPORTANT, PLEASE RETAIN
FOR FUTURE REFERENCE.
PLEASE READ CAREFULLY**

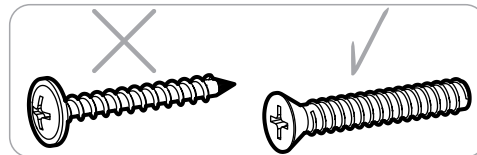


DESIGNED IN THE UK

www.cuddleco.co.uk

WARNING: Installation shall be carried out exactly according to the manufacturer's instructions – otherwise a safety risk can occur.


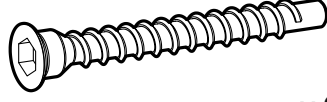
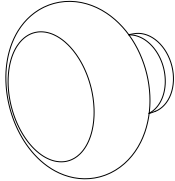
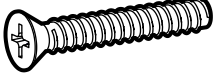
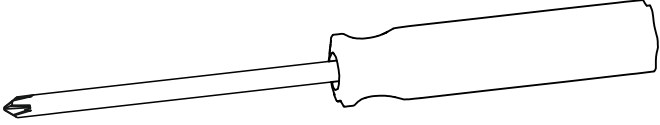
- During assembly children should be kept away from the product due to possible risk of injury
- Read instructions carefully before proceeding with assembly
- Assembly should be carried out by a competent adult
- Do not install over a cot or cot bed
- The wall fixing screws and wall plugs are not included with the shelf. You will need to source suitable fixings for your wall type. If in doubt please consult a qualified tradesperson.
- Always ensure the wall to be drilled is free from hidden electrical wires, water and gas pipes
- Screws used for wall fixing should have a head with a flat back, countersunk screws are not recommended for installation of this item

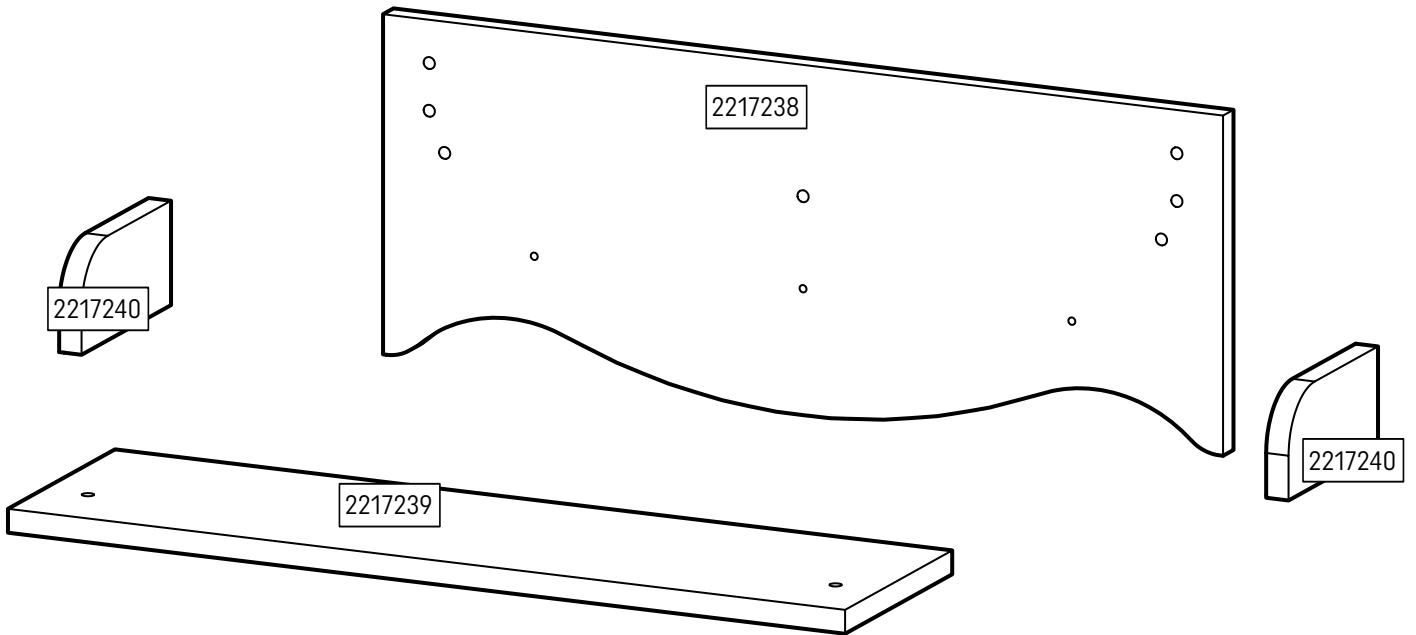


- Mounting screws should be properly tightened and checked regularly and re-tightened if necessary.
- Before first use check that it is securely attached to the wall
- Check the shelf regularly, do not use if the shelf or parts of it are loose, missing or damaged
- Do not overload the wall shelf. The maximum allowed weight on the shelf is 8kg and 3kg per hook

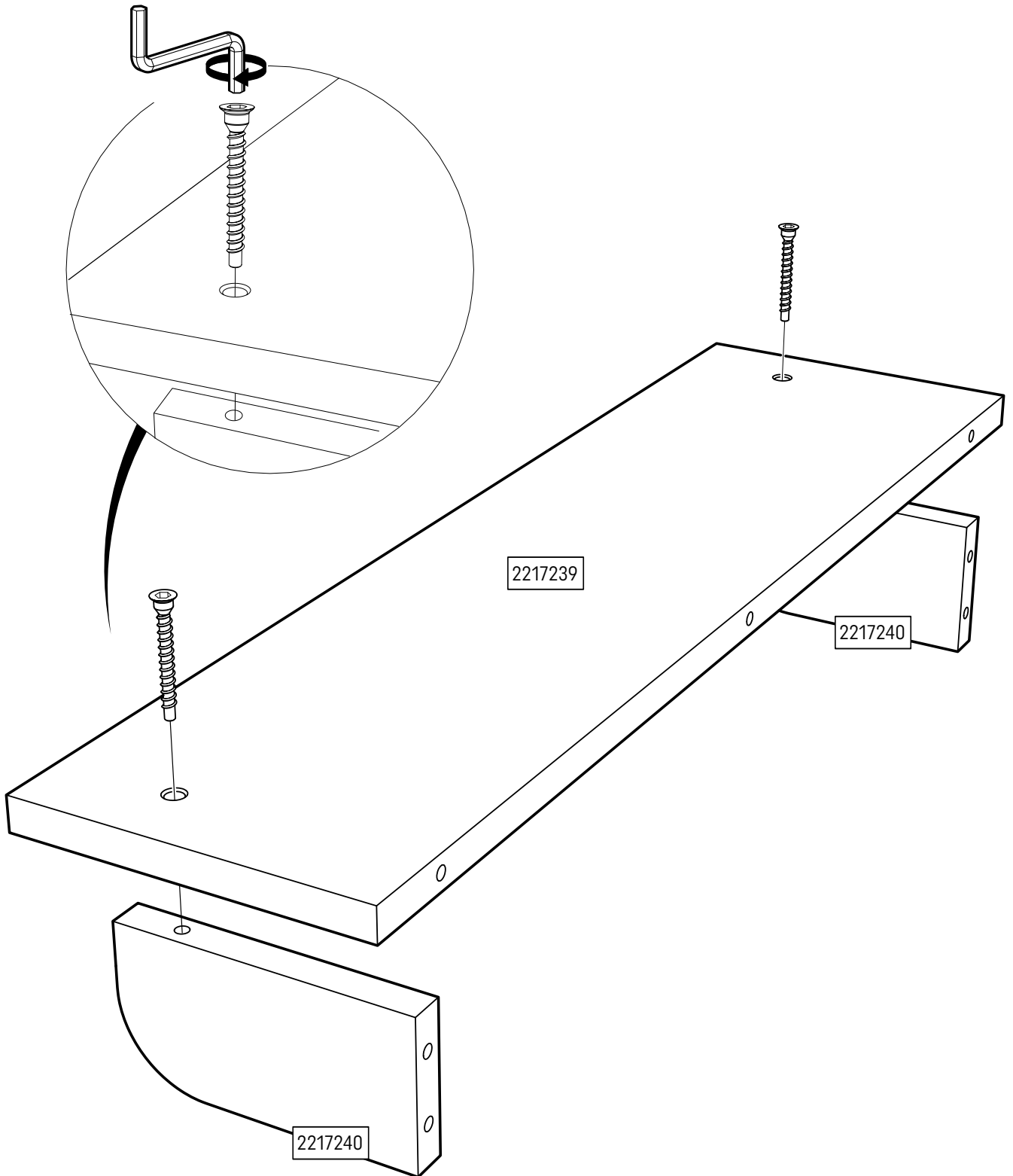
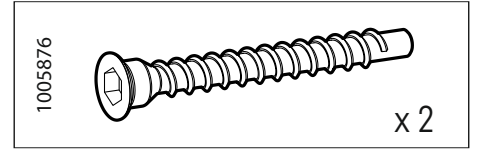
ROUTINE CARE & MAINTENANCE

- To clean the item use a mild detergent and warm water on a soft cloth
- Do not use bleach
- Do not use abrasive substances or materials to clean the item

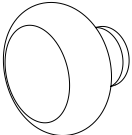
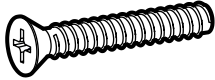
<p>1000806</p>  <p>x 1</p>	<p>1005876</p>  <p>x 9</p>	<p>1121030</p>  <p>x 3</p>
<p>1005907</p>  <p>x 3</p>	 <p>Required for assembly, not supplied</p>	

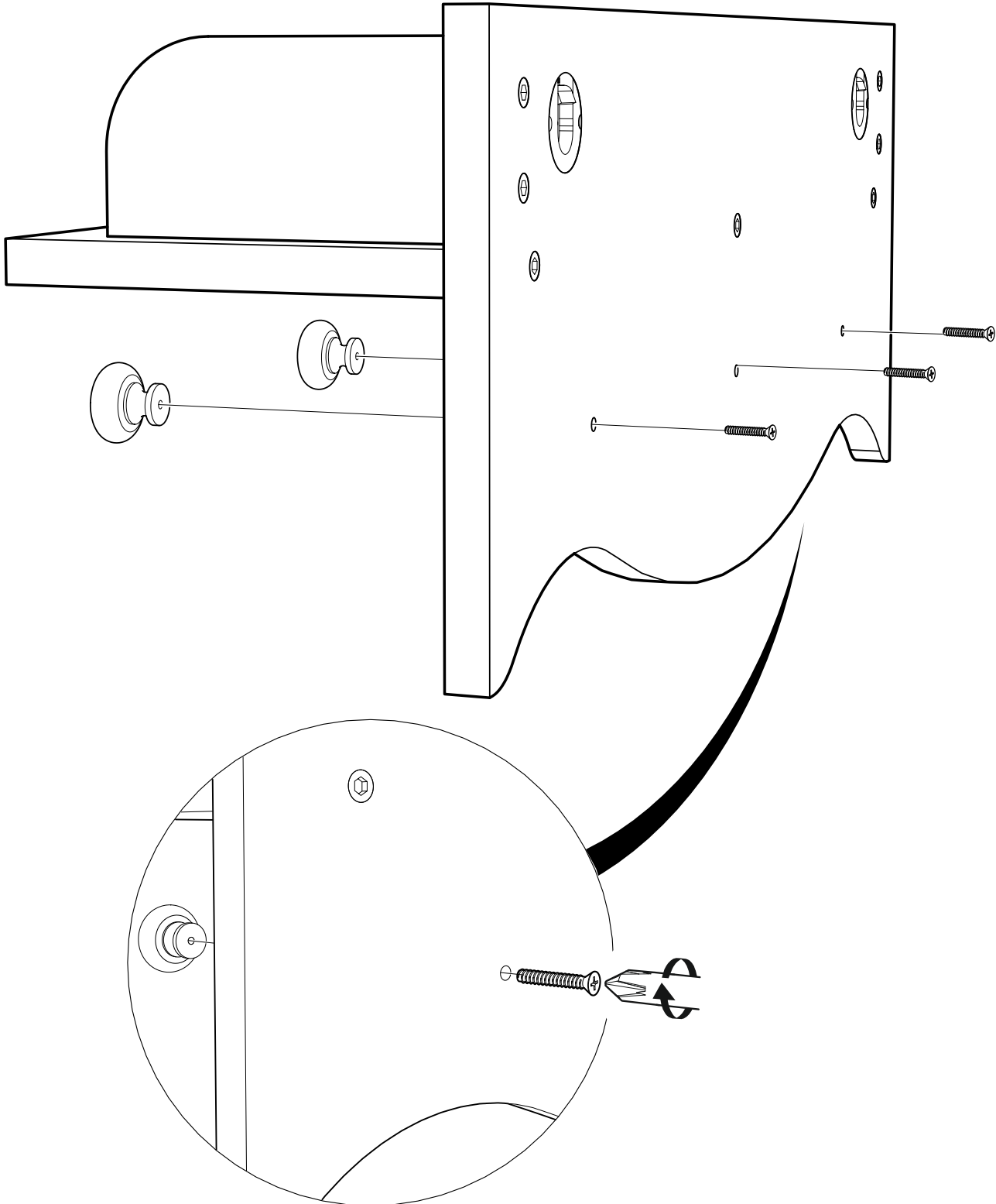


Step 1



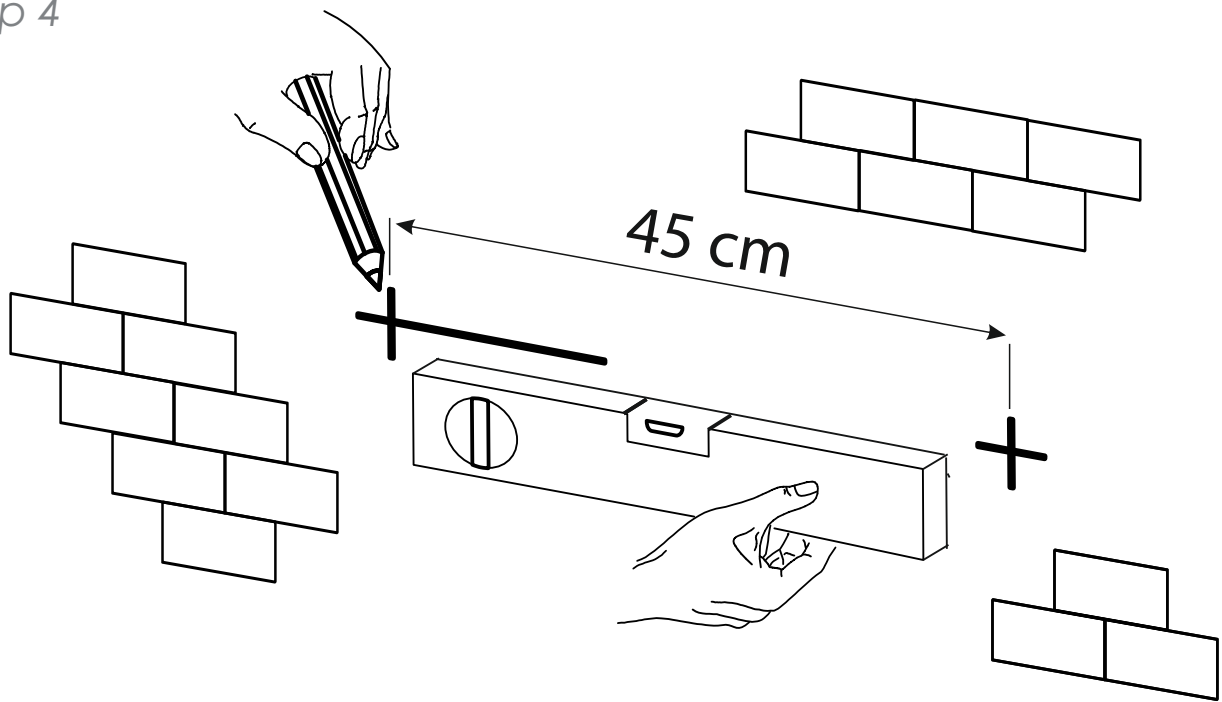
Step 3

1005876		x 3	1005907		x 3
---------	---	-----	---------	---	-----

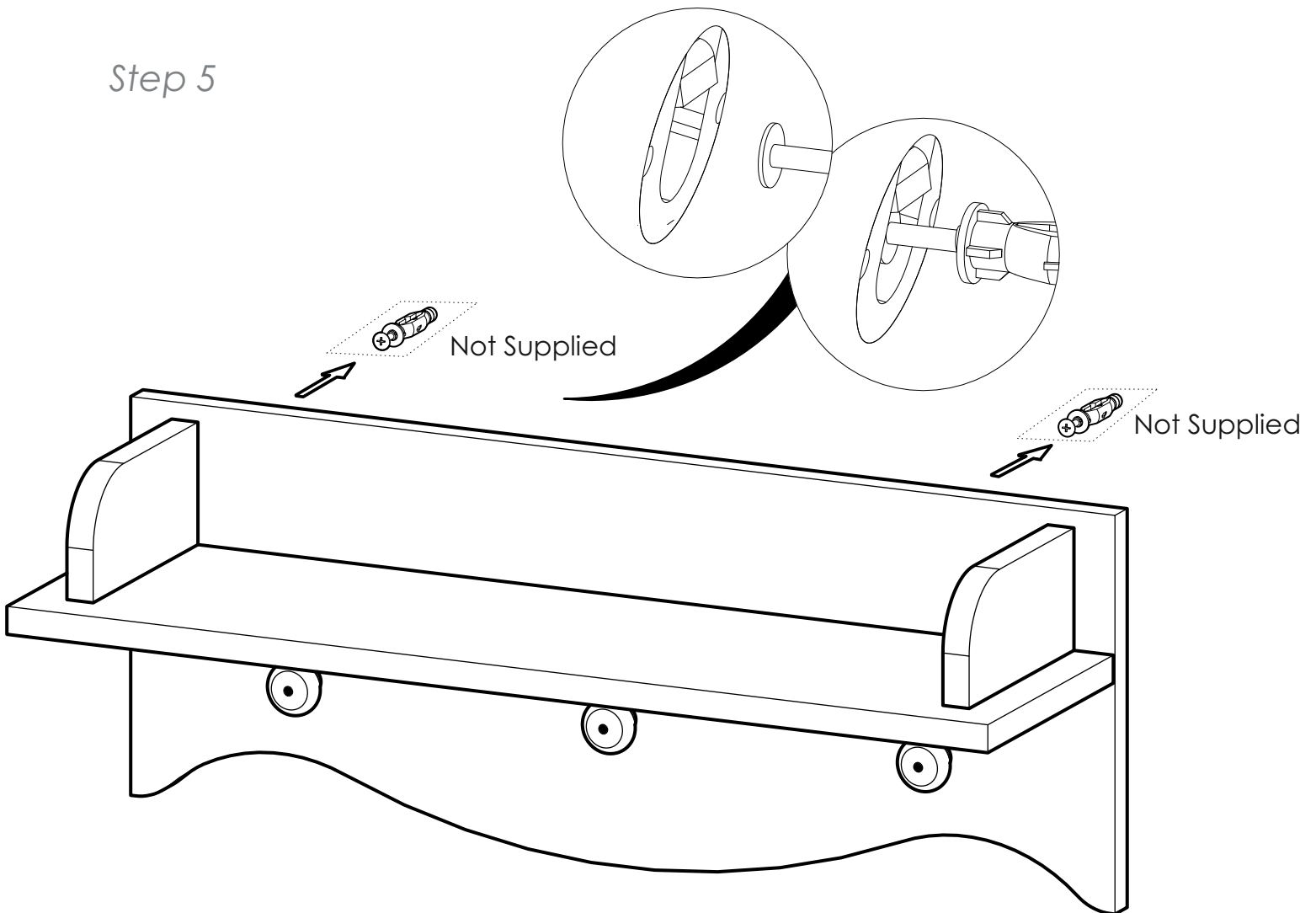


7 Shelf Assembly

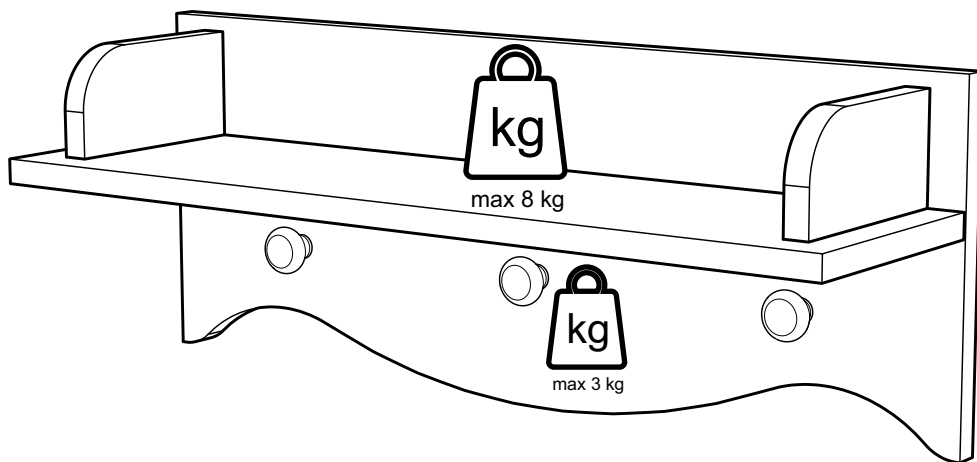
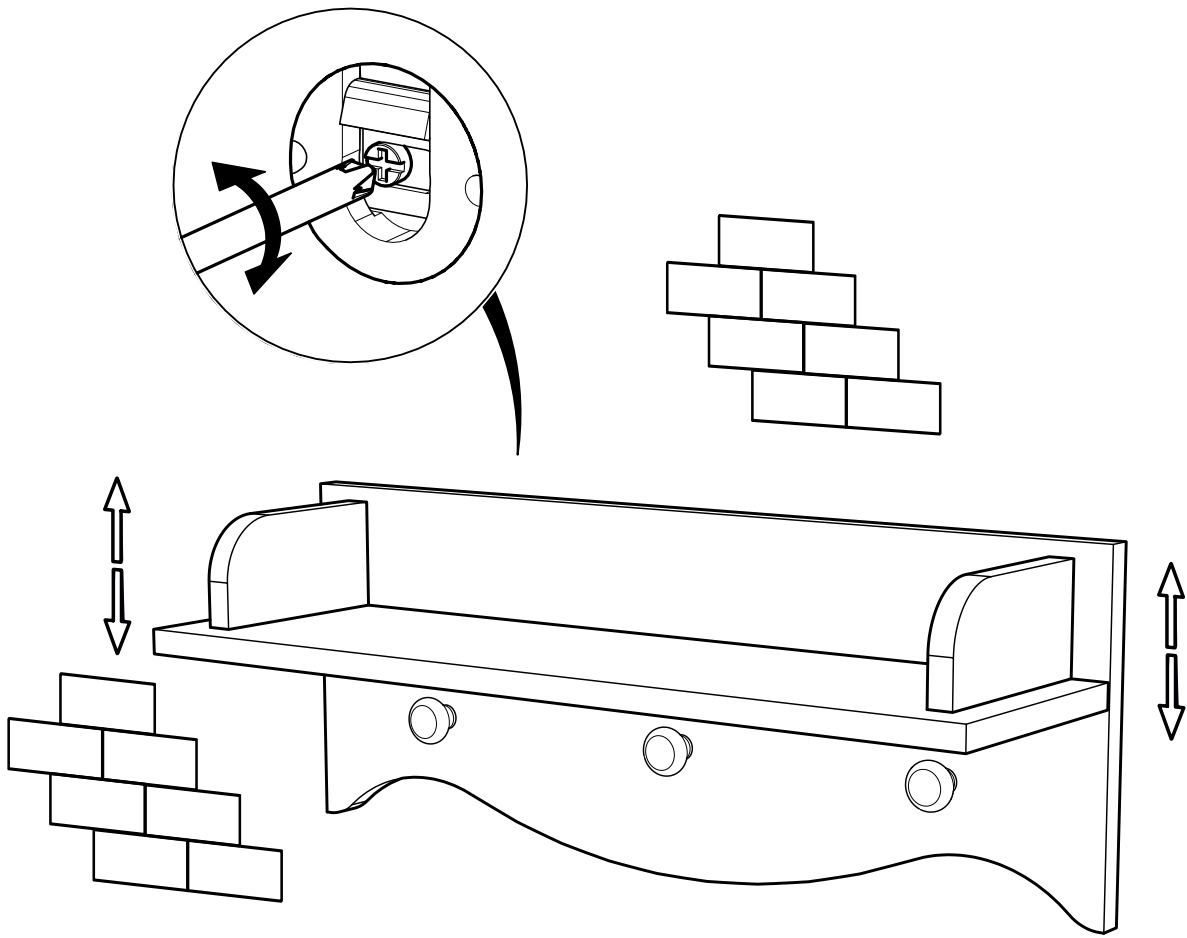
Step 4



Step 5



Step 6





CuddleCo[®]

2 ★★★★★
**year
extended
guarantee**
Simply register within 28 days!

Designed to care, built to last.



www.cuddleco.co.uk



CuddleCo[®]

Designed to care, built to last.

Visit our website www.cuddleco.co.uk for other nursery must haves including mattresses, nursing pillows, blankets etc.

Other brands available on www.cuddleco.co.uk

Mother & Baby doona[™]

CHILDHOME
MAKES MY LITTLE WORLD COMPLETE



@cuddlecouk



@cuddlecouk

DESIGNED IN THE UK

CuddleCo.2 Brindley Road,
Trafford Park, Manchester, M16 9HQ

www.cuddleco.co.uk