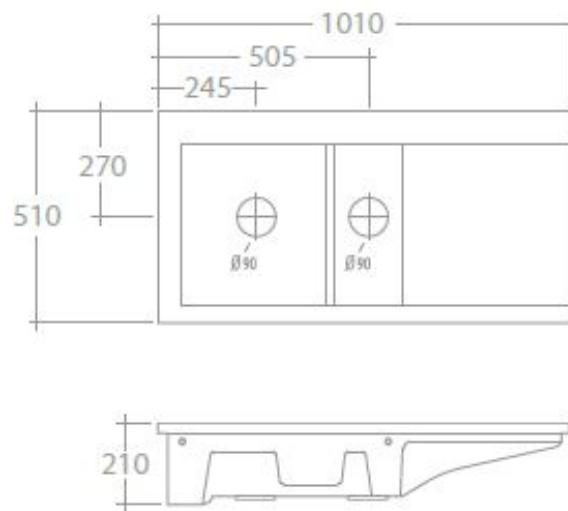


## Dimensions (MM)



\* Available with or without tap holes.

*\* DUE TO THE MANUFACTURING PROCESS SINKS MAY HAVE SLIGHT VARIANCES IN SIZE. THESE DIMENSIONS SHOULD BE USED AS A GUIDE ONLY. WE STRONGLY RECOMMEND THE SINK BE ON SITE WHEN CABINETS OR BENCH TOPS ARE BEING PREPARED FOR THE SINK.*