

KT-8

MEAT TENDERIZER

PRO-CUT[®]

SPEC SHEET

www.pro-cut.us

STANDARD FEATURES

- Powerful 3/4 HP motor for tenderizing semi frozen boneless meat
- 8" x 3/4" mouth opening
- Compact table top footprint for limited spaces
- Food grade stainless steel construction
- Thermomagnetic protector in case of overloads
- Includes safety magnetic proximity switch
- Tenderizing unit with 43 hardened stainless steel knives
- Precision engineered steel gear transmission
- Fajita cutter (sold separately)



PRODUCT HIGHLIGHTS



Stainless steel construction



Thermomagnetic protector



Proximity switches



Stainless steel knives



Compact footprint



Fajita cutter



Intertek



Intertek



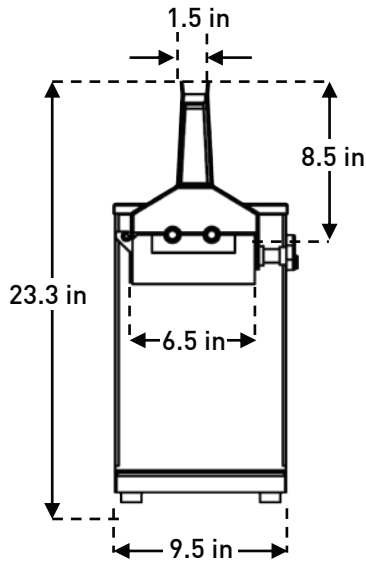
1 year parts and labor

SPEC SHEET

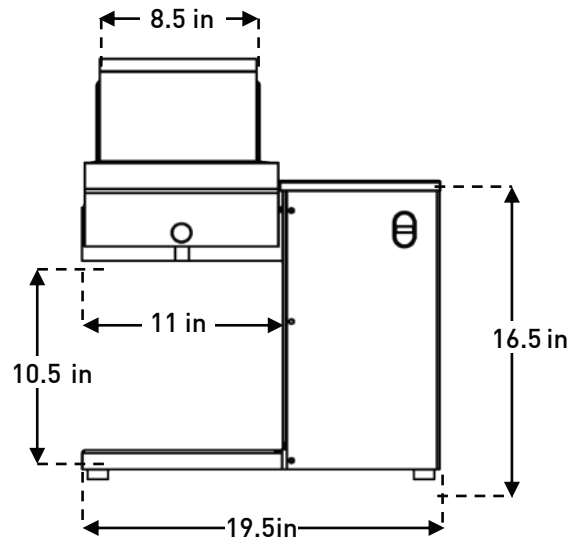
www.pro-cut.us

PLAN VIEW

Front view



Side view



NEMA 5-15P

TECHNICAL DATA

Dimensions

External dimensions	L: 19.5" W: 9.5" H: 23.3"
Net weight	78.26 lb (35.50 kg)
Power cord length	5.9 ft

Construction

Body material	Stainless steel
Knife case material	Food grade aluminum

Logistic

Max number of SKU per pallet	12
Shipping dimensions per unit	L: 23" W: 25.5" H: 24"
Shipping weight per unit	87 lb
Shipping dimensions full pallet	L: 48" W: 48" H: 54"
Shipping weight full pallet	1090 lb
Freight class	85

Electrical

Motor	3/4 HP
Volts / Frequency	120 Vac / 60 Hz
Amps	10.4
Watts	550
Phase	1 ph
Type of plug (NEMA)	5-15P

Performance

Max. thickness of meat	0.75" (1.9 cm)
Max. width of meat	8" (20.32 cm)
Transmission	Gear

Accessories

Fajita cutter	
FCT 16	1/2" thickness
FCT 22	1/3" thickness