

KMS-12 MEAT SLICER

PRO-CUT[®]

SPEC SHEET

www.pro-cut.us

STANDARD FEATURES

- Powerful 1/3 HP motor for slicing semi frozen, boneless meat, cold cuts and a variety of cheeses
- Long lasting 12" German stainless steel blade
- Features a built in sharpener
- Compact footprint for limited spaces
- Food grade quality aluminum body
- Robust gear driven transmission
- Stainless steel affixed safety ring guard
- True 45 degree angle gravity feed
- Includes product pusher
- Max 1.5" thick cut
- 380 RPM
- 10.6" x 10.7" Product tray
- Adjustable slice size



PRODUCT HIGHLIGHTS



**Stainless steel
blade**



**Powerful
1/3 HP motor**



**Built in
Sharpener**



**Affixed safety
ring guard**



**True 45 degree
angle gravity feed**



**Product
pusher**



1 year parts and labor

KMS-12 MEAT SLICER

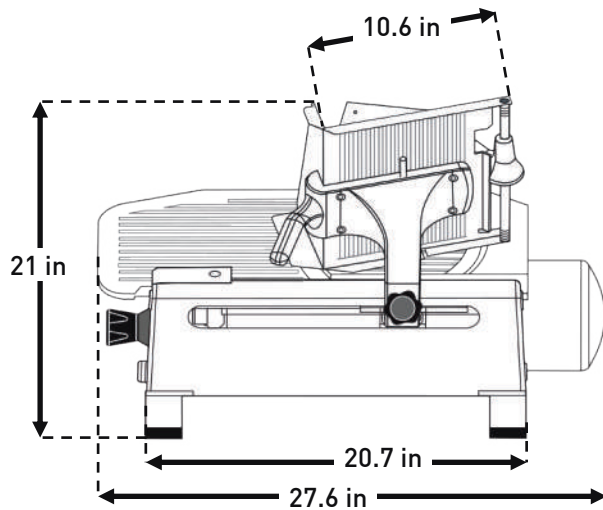
PRO-CUT®

SPEC SHEET

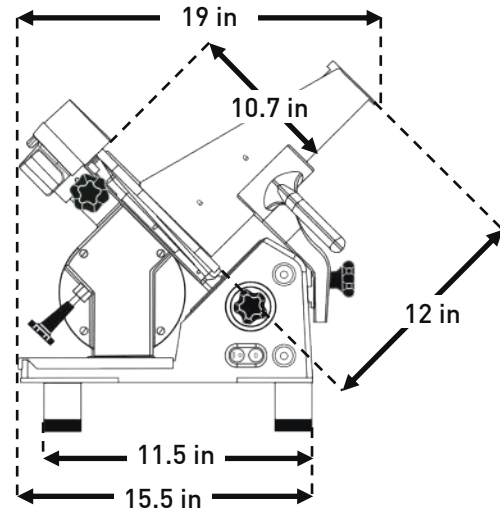
www.pro-cut.us

PLAN VIEW

Front view



Side view



TECHNICAL DATA



NEMA 5-15P

Dimensions

External dimensions	L: 19" W: 27.6" H: 21"
Net weight	83.77 lb (38 kg)
Power cord length	5.9 ft

Construction

Blade / Gage plate	Stainless steel
Tray / Knife guard	Stainless steel
Body	Aluminum

Logistic

Max number of SKU per pallet	6
Shipping dimensions per unit	L: 31.5" W: 28" H: 24.5"
Shipping weight per unit	107 lb
Shipping dimensions full pallet	L: 51" W: 33" H: 77"
Shipping weight full pallet	673 lb
Freight class	85

L: Length W: Width H: Height

Electrical

Motor	1/3 HP
Volts / Frequency	115 Vac / 60 Hz
Amps	5.3
Watts	250
Phase	1 ph
Plug type (NEMA)	5-15P

Performance data

Transmission	Gear
Blade diameter	11.81" (300 mm)
Speed blade	380 RPM
Cut width	0- 1.5" (0-3.8 cm)
Max. sliding table travel	12.5" (31.75 cm)

Dealers information
