



PROJECT NAME: \_\_\_\_\_

LOCATION: \_\_\_\_\_

ITEM: \_\_\_\_\_ QTY: \_\_\_\_\_

MODEL: \_\_\_\_\_

# SRPO-24E

## COUNTER TOP ELECTRIC PIZZA OVEN

The Sierra Range SRPO-E pizza oven features a stainless steel frame (front, top, sides and control panel), and an easy to clean stainless steel interior with a porcelain coated deck and door liner.

The SRPO-E oven is designed and built with the superior performance of Meteorite™ ceramic decks that achieve maximum heat while using less energy and have a much quicker recovery times between uses. These refractory ceramic decks offer superior temperature uniformity and more consistent cooking times, especially during peak business hours.

The SRPO-E pizza oven has the flexibility to suit every operation. The temperature is adjustable from 280°F (140°C) to 650°F (360°C).



*Designed for pizza, flat breads and bakery products baked directly on the hearth deck, screens, pans or baking sheets.*

ADDITIONAL OPTIONS	EXTRA HEARTH DECKS
SRPO-24E	#108-HD24

## STANDARD FEATURES

- 🔥 Non-ferrous stainless steel construction including front, top, sides and control panel.
- 🔥 Double wall construction with heavy insulation for efficiency & cooler exterior surfaces.
- 🔥 Fully insulated with 1-½ thick industrial grade insulation
- 🔥 Each oven comes with 2 Meteorite™ hearth decks with a 3-¼ deck height.
- 🔥 Cook directly on the deck or with pans or screens.
- 🔥 4" stainless steel adjustable legs included with every unit.
- 🔥 Inside oven door and floor coated with porcelain enamel.
- 🔥 15-minute timer with ring alarm and manual shut off.
- 🔥 Indicator light when elements are on.
- 🔥 4-ft power code with NEMA 6-20P



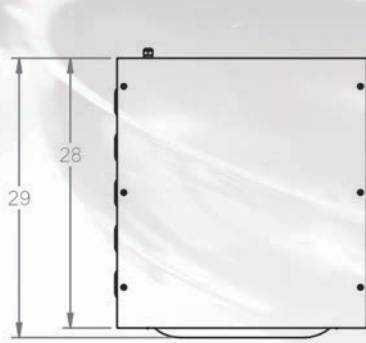
Tel.: 786.600.4687 / Toll Free: 844.218.8477  
Fax: 786.661.4100



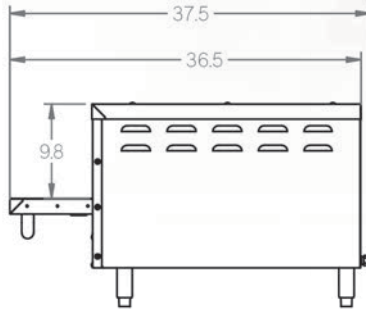
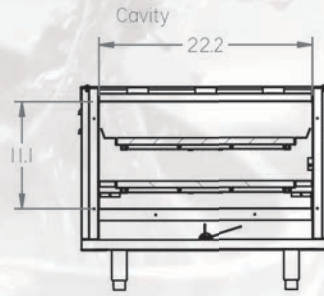
Tel.: 514.737.9701 / Toll Free: 888.275.4538  
Fax: 514.342.3854 / Toll Free: 877.453.8832  
sales@mvpgroupcorp.com



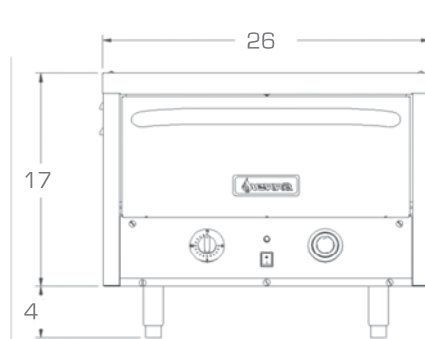
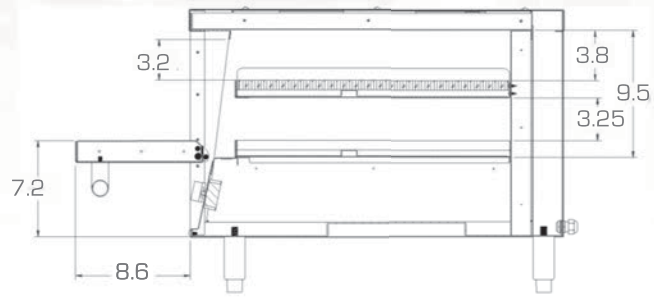
SRPO-24E



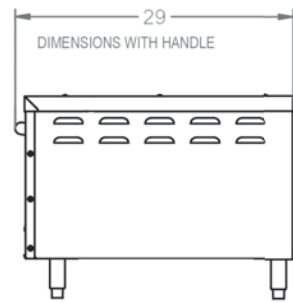
TOP VIEW



SIDE VIEW (OPEN DOOR)



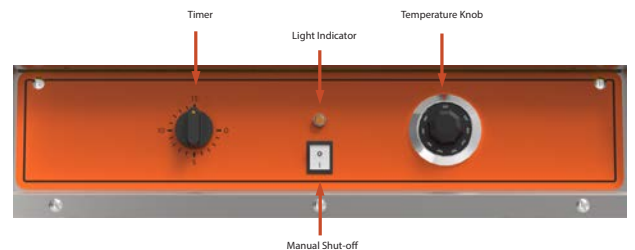
FRONT VIEW



DIMENSIONS WITH HANDLE

## SPECIFICATIONS

MODEL NUMBER	EXTERNAL DIMENSIONS (WxDxH) 29.0" DEPTH INCLUDING THE HANDLE 36.5" DEPTH WITH OVEN DOOR OPEN	BAKING CHAMBER (WxDxH)	NUMBER OF HEATERS	VOLTAGE	WATTS	AMPS	NET WEIGHT	SHIPPING WEIGHT
SRPO-24E	26.0" x 27.9" x 21.0"	22.3" x 21" x 9.5"	2	220-240/1	3600	16.3	138 LBS	205 LBS



**Warranty:** 12 months parts & labor.  
**Plug:** NEMA 6-20P  
**Shipping Dimensions:** 28.75" x 34.25" x 24.25" (W x D x H)  
**Minimum Clearance:** 3 inches sides, 3 inches rear  
**Deck Size:** 20.1" x 20.1" (W x D)



SIERRA RANGE is a registered trademark of MVP Group.

Due to continuing product development, to ensure best possible performance, the specifications are subject to change without prior notice.

 Tel.: 786.600.4687 / Toll Free: 844.218.8477  
 Fax: 786.661.4100

 Tel.: 514.737.9701 / Toll Free: 888.275.4538  
 Fax: 514.342.3854 / Toll Free: 877.453.8832  
 sales@mvpgroupcorp.com

  
 www.mvpgroupcorp.com