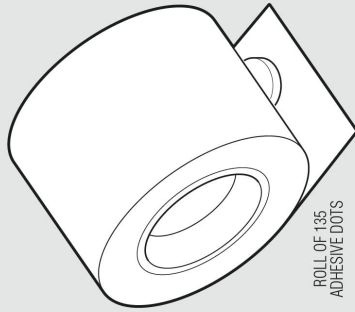


6+

# Pom Pom WOW!

## ULTIMATE VARIETY PACK™

### INSTRUCTION GUIDE



ROLL OF 135 ADHESIVE DOTS



POM POMS X120

**WARNING:**  
CHOKING HAZARD - Small Parts.  
Not for children under 3 years.

**Caution!** Please keep adhesive dots away from both child's and pet's hair to avoid entanglement.

Please recycle or visit [www.pompomwow.com](http://www.pompomwow.com) for fun, upcycled inspiration using POM POM TUBES.

Customer Service: 1-800-843-6292 or 424-201.2225 [www.pompomwow.com](http://www.pompomwow.com)

© 2016 Maya Toys. All rights reserved. PATENT PENDING.  
Conforms to safety Standards ASTM F963 and ASTM D4236. Do not insert Pom Pom into nose or ears. If a substantial number of Pom Poms are inserted into nose or ears, seek immediate medical attention. Bring this instruction guide and some Pom Poms with you. Do not apply the adhesive dot to skin. Discontinue use immediately if rash, irritation, or discomfort develop. Not suitable for children under the age of six. Please remove all packaging material before giving to children. Product and colors may vary. Please retain this information for future reference.  
Maya Toys, 10741 Walker St., Cypress, CA 90630.

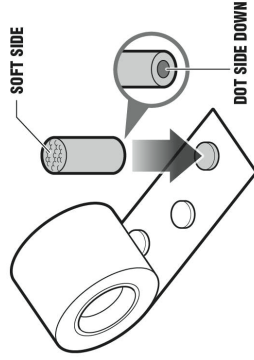
Made in China. Item No. 48528



48528-20160531

## ATTACH A POM POM FOR MORE DECORATING TIPS VISIT [www.pompomwow.com](http://www.pompomwow.com)

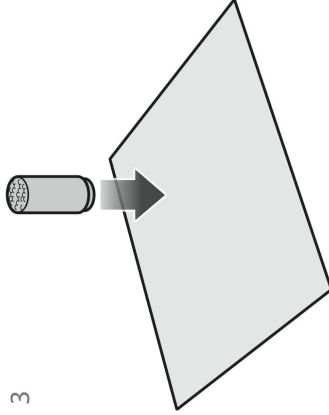
1 2



Press POM POM, **SOFT SIDE UP/DOT SIDE DOWN**, onto ADHESIVE DOT.

Remove POM POM with ADHESIVE DOT.

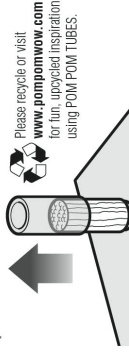
3



**Note:** Adhesive dots are designed to attach to hard, smooth surfaces for best performance. Adhesive dots are non-permanent on most surfaces, but may be considered permanent/damaging when applying to delicate materials such as uncoated paper or leather surfaces.

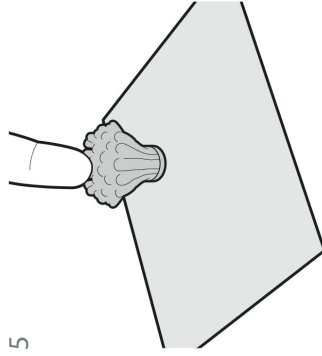
Stick POM POM onto any surface\* you wish to decorate. Press firmly.

4



Remove the POM POM TUBE.

5



Spread the POM POM out.