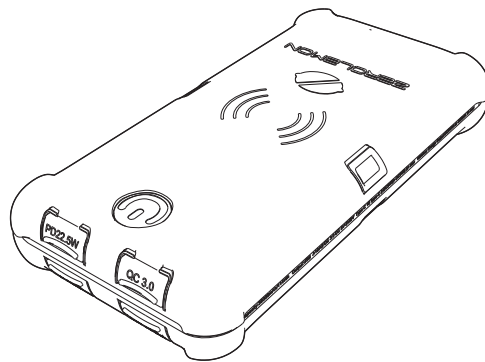


Instruction Manual

ZeroLemon ToughJuice 30000mAh USB C
Wireless External Battery



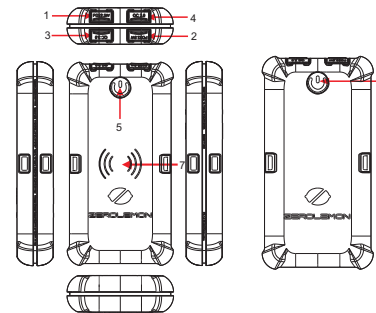
30000mAh USB C Wireless External Battery



User Manual

Thank you for purchasing our product. To ensure optimal performance and safety, please read the following instructions carefully before operating this product. Please keep this manual for future reference.

Functional Introduction



Product Part	Operation
1&2	Type C Inputs PD 18W
1&2	Type C Outputs PD 22.5W(MAX)
3&4	USB A Outputs QC 3.0
5&6	Power Button LED Indicator Click once to start wireless charging and display the current power level.
7	Wireless Charging Make sure you press the power button once and make sure the device is aligned with the center of the power bank.

Product Features

- High capacity of 30000mAh.
- Support dual inputs at the same time.
- Wireless charging supports all Qi-enabled phones and Qi-enabled earphone cases.
- Five charging outputs enable the external battery to charge 5 devices simultaneously.
- Smart LED Display shows remaining power.

Specifications

- Battery Type: Li-Ion battery
 - Capacity: 30000 mAh/114Wh
 - Input: Type-C 1& Type-C 2:DC 5V-9V/2A(MAX)
 - Output:
 - ⚡ QC 3.0 (The Blue Port): DC 5V-9V/2A(MAX)
 - ⚡ Type-C Output: DC 5V/3A 9V/2.5A(MAX)
 - ⚡ Wireless Output: DC 5V/1A 9V/1.1A(MAX)
- Weight: 640.8g(22.6 ounces)
Product Dimension: 7.06*3.60*1.29 in

How to Use the External Battery?

1. Charge your Devices with a Cable: For a cable charging, any connected devices will be automatically recognized
2. Charge your Devices Wirelessly: Press the power button once to activate the wireless charging mode, put the device on center of the wireless charging panel.

How to Charge the External Battery?

1. To ensure optimal performance and user safety, only use an official cellphone charger or ZeroLemon authorized charger when charging.
2. It takes about 4-5 hours to fully charge the external battery when you use two 18W USB C PD chargers to charge it; It takes about 7-8 hours to fully charge the external battery when you use one 18W USB C PD charger to charge it.
3. The LED indicator will flash while the external battery is being charged. It will be fully charged when all the LED lights are fully lit and no longer flashing. To avoid overcharging, please stop charging once the LEDs are fully lit.

How to Test Remaining Power?

Capacity (●ON ○OFF ◎FLASH)	LED Light Status
100%	●●●●●
75%~100%	●●● flash
50%~75%	●● flash ○
25%~50%	● flash ○○
0~25%	◎○○○○

How to Charge your Devices?

1. To activate the wireless charging mode, please press the power button once. For any cable charging, there is no need to press the power button as any cable connected devices will be automatically recognized.
2. Only use the supplied charging cable or your phone's charging cable when charging.
3. Disconnect your phone/tablet from the external battery when charging is completed.

Caution

1. Keep the external battery away from high temperatures.
2. Do not disassemble the external battery.
3. Recharge the battery at least once every month to maintain optimal performance.
4. For optimal use and user safety, use only an official phone charger or ZeroLemon charger to recharge.
5. Keep the battery away from metallic objects.
6. Do not crush the battery.

Package Contents

- 1 x User Manual
- 1 x USB C to C Charging Cable
- 1 x 30000mAh External Battery

Warranty and 100% ZeroLemon Guarantee

This product is covered by our 12-Month ZeroLemon Warranty. Customer satisfaction is always our #1 priority. If your product is not working as it should or if you would like to return it to us for any reason, please let us know by contacting us at info@zerolemon.com or 1-415-685-4343. We promise to deliver only the best quality products and offer 100% customer satisfaction.

Subscribe to us
for more deals and news!



Sales Inquiry: sales@zerolemon.com
Designed by ZeroLemon, LLC in USA
Made in China

Copyright 2020 ZeroLemon, LLC All Rights Reserved.
All names, brands, logos, and/or trademarks used in this publication are property of their respective owners.

www.zerolemon.com