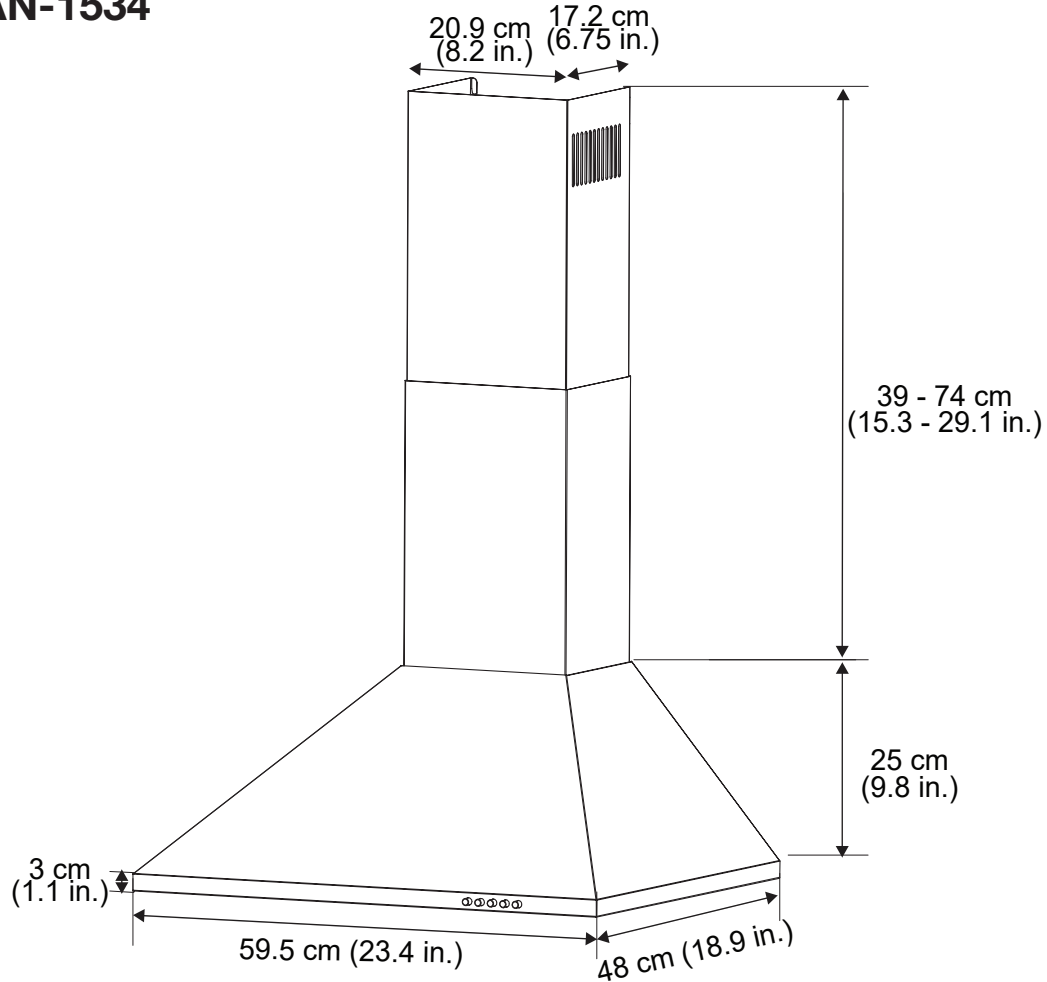


Range Hood Dimensions and Specifications

AN-1533 / AN-1534



Specifications

Body Design	Stainless Steel / White
Power Rating	120 V / 60 Hz (cETLus Certified)
Total Input Power	193 W (190 W + 2 × 1.5 W)
Motor Input Power	190 W
Amperage	1.7 A
Speed Control Levels	3 Speeds
Interference Protection	Radio Frequency Interference Protected
Motors	Single Motor
Control	Mechanical control panel
Filtration	Aluminium filter
Illumination	2 × 1.5 W LED
Fan Type	Single chamber quiet
Venting Size	Top, 6 inches (15.3 cm) round