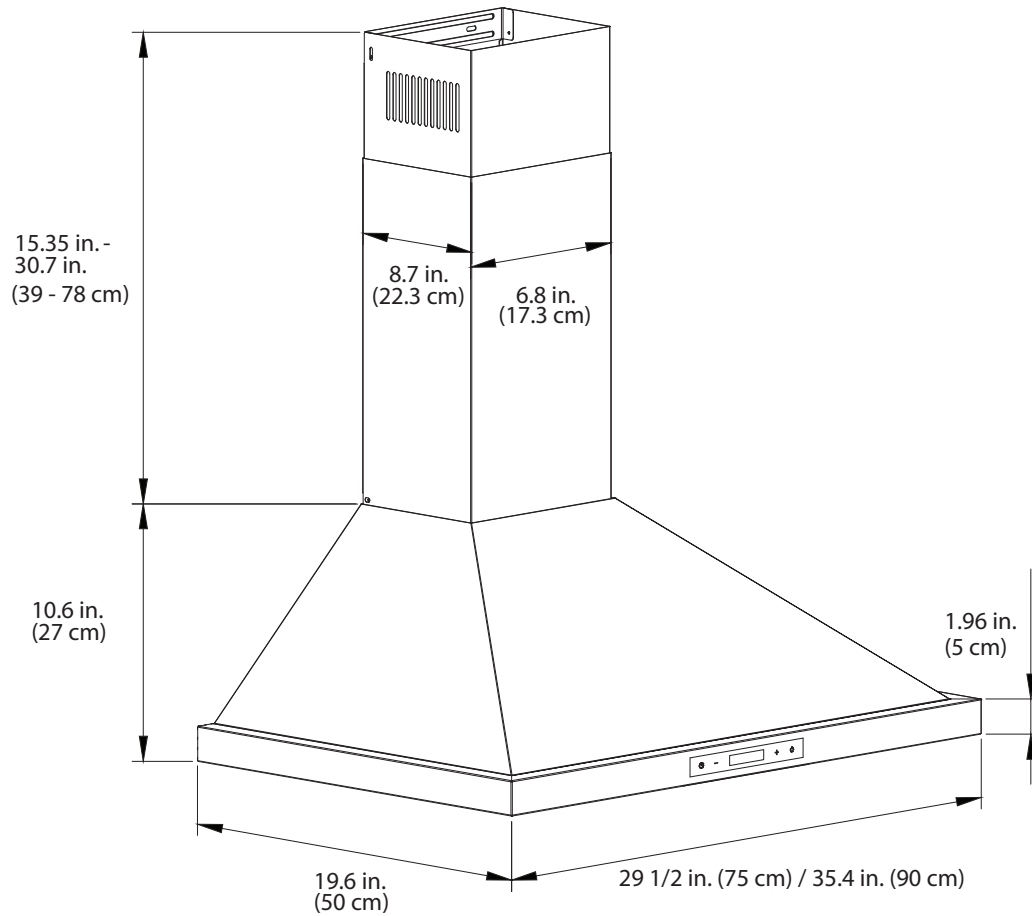


Range Hood Dimensions



Specifications

Body Design	Stainless Steel
Power Rating	120 V / 60 Hz (cETLus Certified)
Total Input Power	235.1 W (230 W + 2*2.55 W)
Motor Input Power	230 W
Amperage	1.96 A
Speed Control Levels	3 Speeds
Interference Protection	Radio Frequency Interference Protected
Motors	Single Motor
Control	Electronic touch control panel
Filtration	Decorative filter
Illumination	2 x 2.55 W LED
Fan Type	Single chamber quiet
Venting Size	Top, 6 inches (152 mm) round