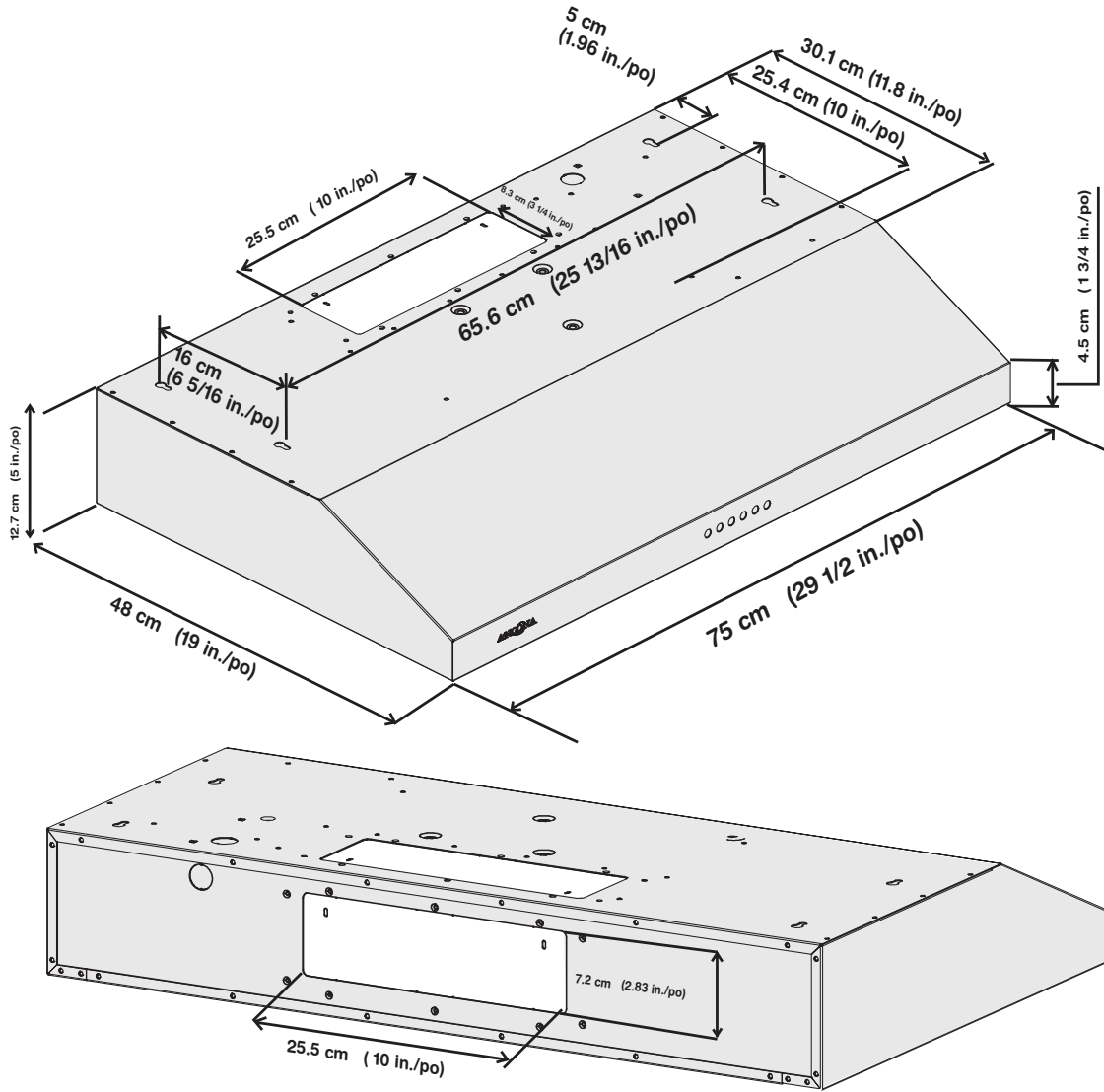


Range Hood Dimensions



Specifications

Body Design	Stainless Steel
Power Rating	120 V / 60 Hz (cETLus Certified)
Total Input Power	106 W (100 W + 2*2.5 W)
Motor Input Power	100 W
Amperage	0.83 A
Speed Control Levels	3 Speeds
Interference Protection	Radio Frequency Interference Protected
Motors	Single Motor
Control	Electronic control panel
Filtration	Aluminum filter
Illumination	2 x 2.5 W LED
Venting Size	Top or rear, 10 in. x 3 1/4 in. (25.4 cm x 8.3 cm) Rectangular