

# MARKET BOX SHELF

## ASSEMBLY INSTRUCTIONS

MODEL: 1211.18.1.589

LOT #: 21/0172



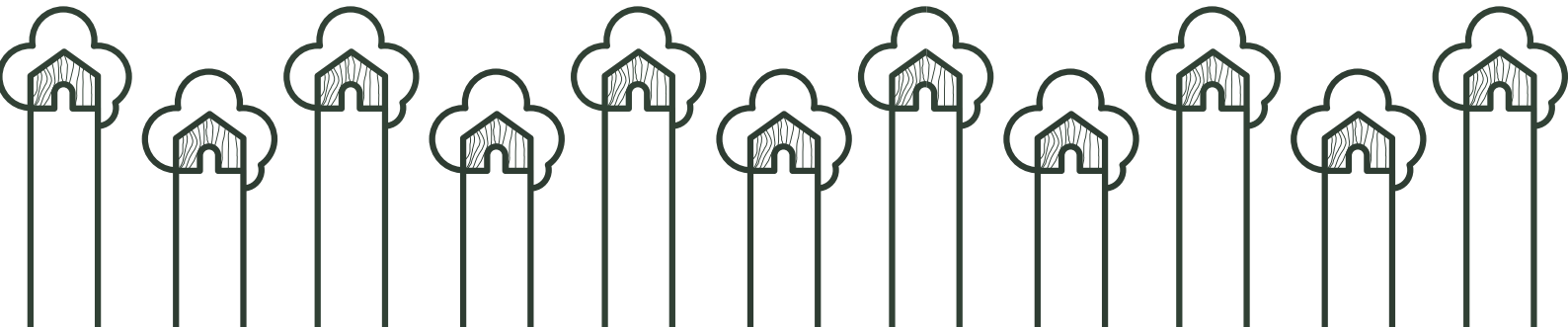
assembling  
1 person



time  
approximately 30 minutes



tools  
screwdriver, hammer



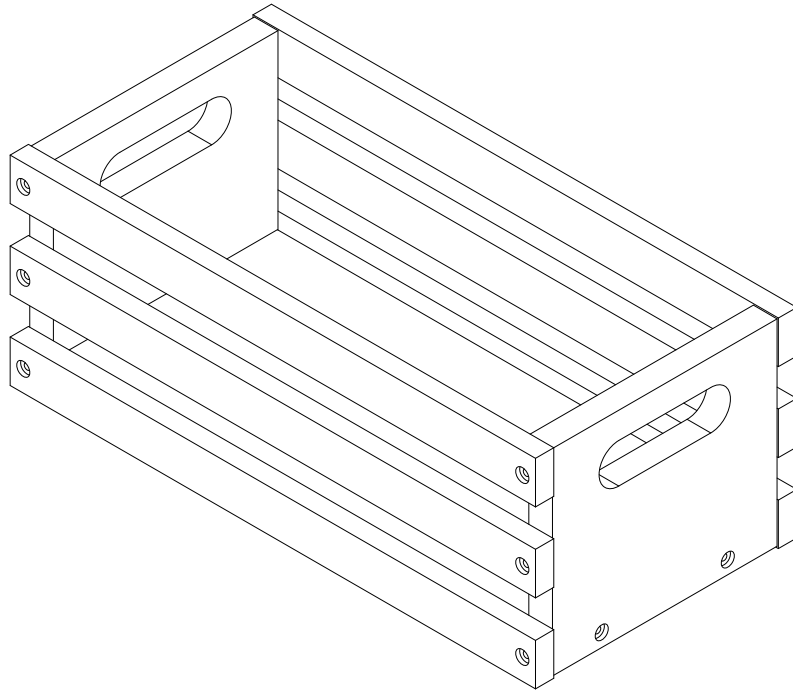
[www.simplykidsroom.com](http://www.simplykidsroom.com)

Manufacturer: Móveis Caftor LTDA - Rio Negrinho / SC - Brazil - 89295-000

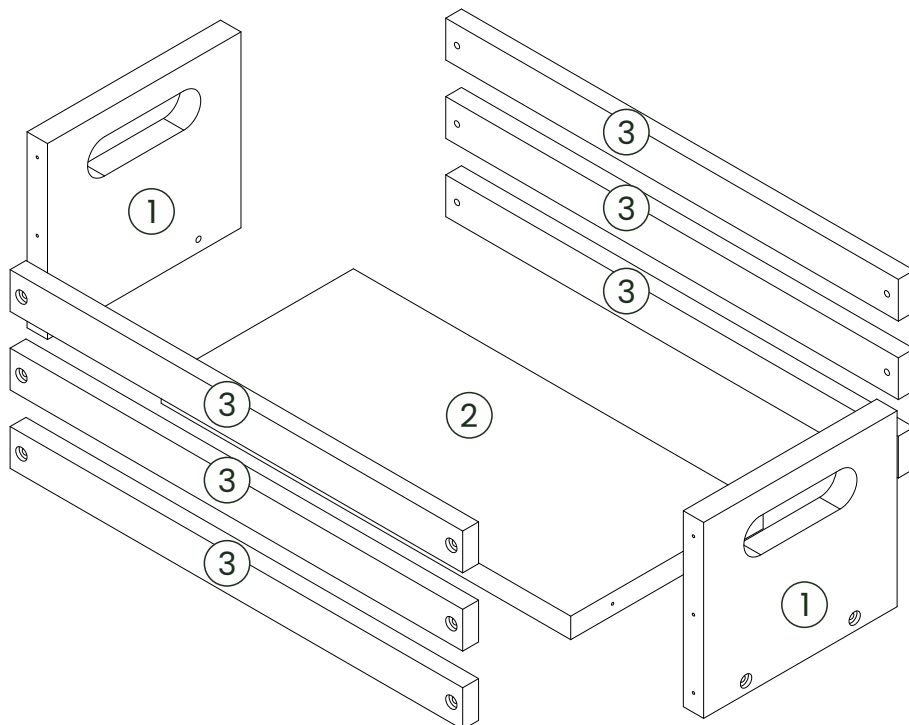
Distributed in the USA by: Simply Kids Room, LLC - Orlando / FL - United States - 32809

Email: [contact@simplykidsroom.com](mailto:contact@simplykidsroom.com) / Phone: 1-888-343-0730





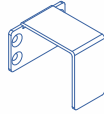
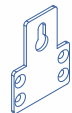
# MARKET BOX SHELF



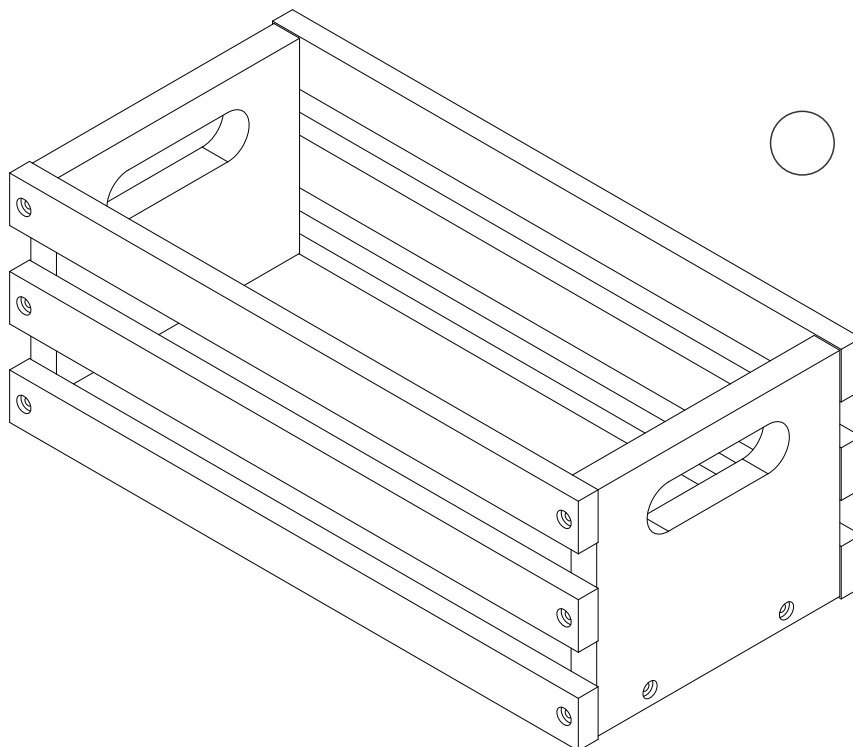
## PARTS



# HARDWARE

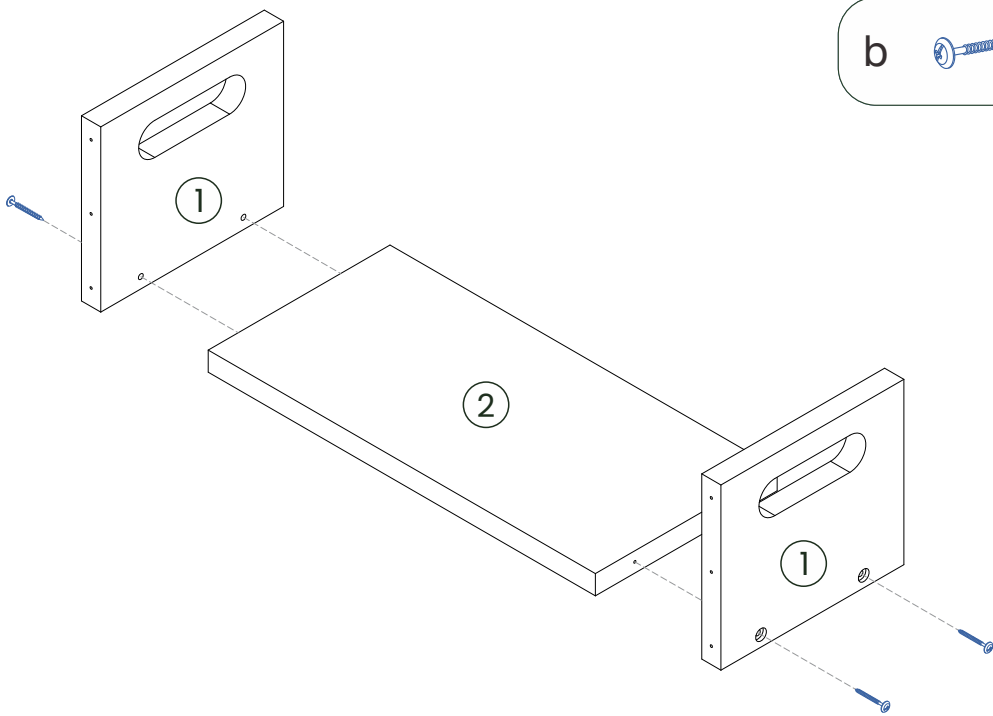
a	 Ø 3.5 x 12 mm Ø 0.13 x 0.47 in	08 pcs
b	 Ø 4 x 30 mm Ø 0.15 x 1.18 in	16 pcs
c		02 pcs
d	 Ø 4.5 x 50 mm Ø 0.17 x 1.96 in	02 pcs
e		02 pcs
f		02 pcs


# MATERIAL



1


2

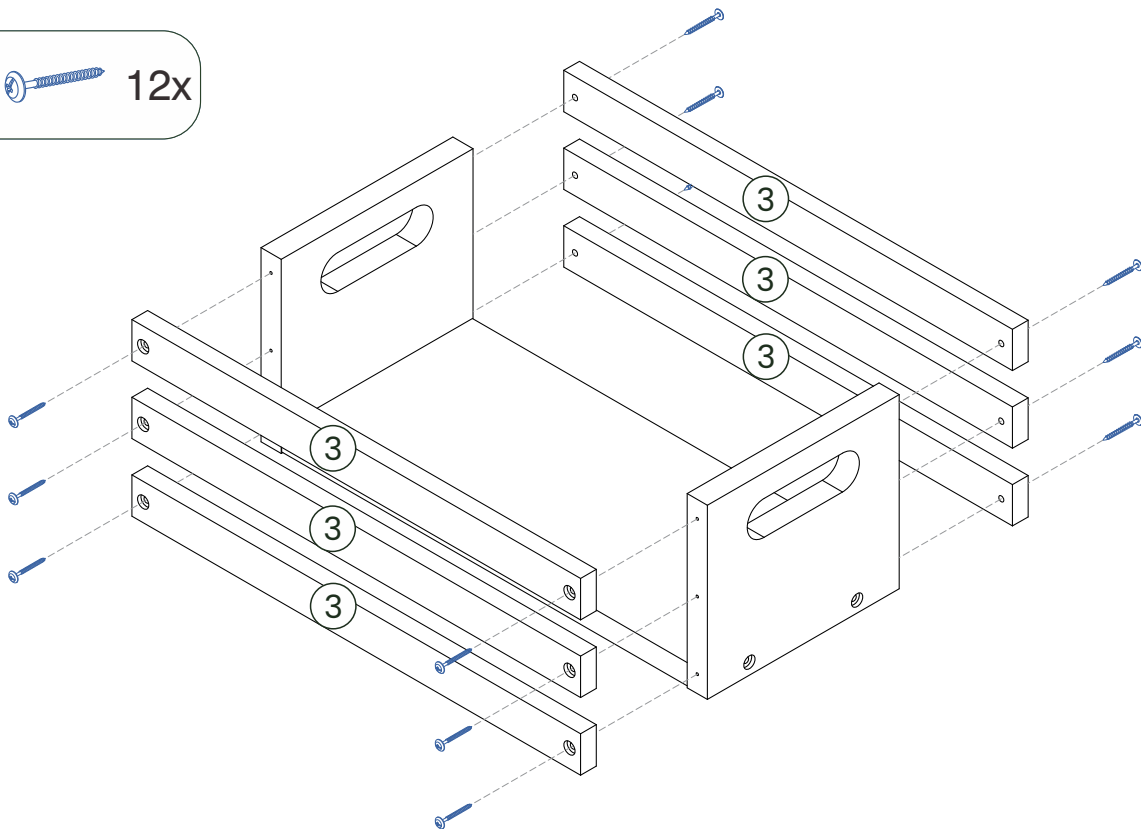


b  04x

1



2

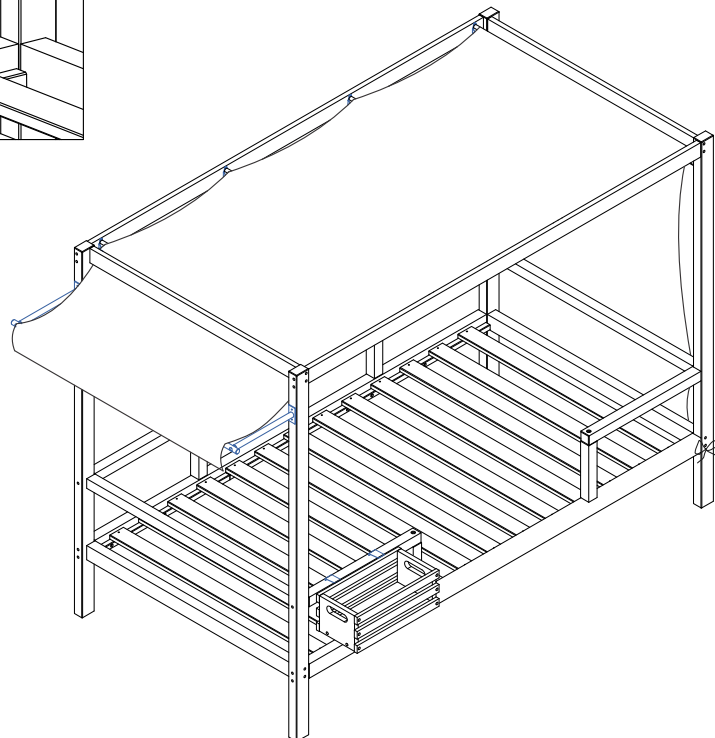
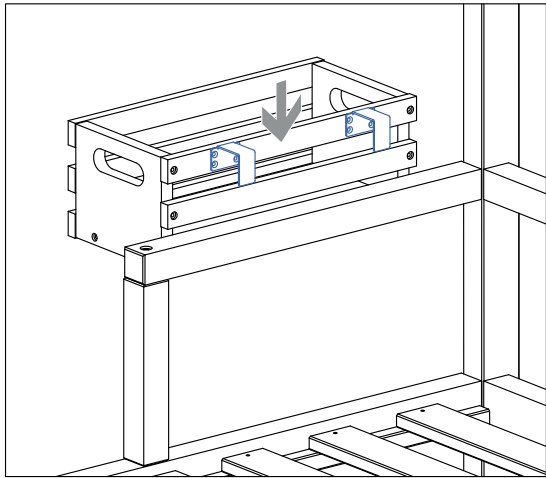
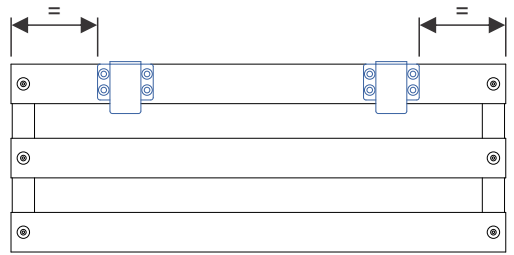
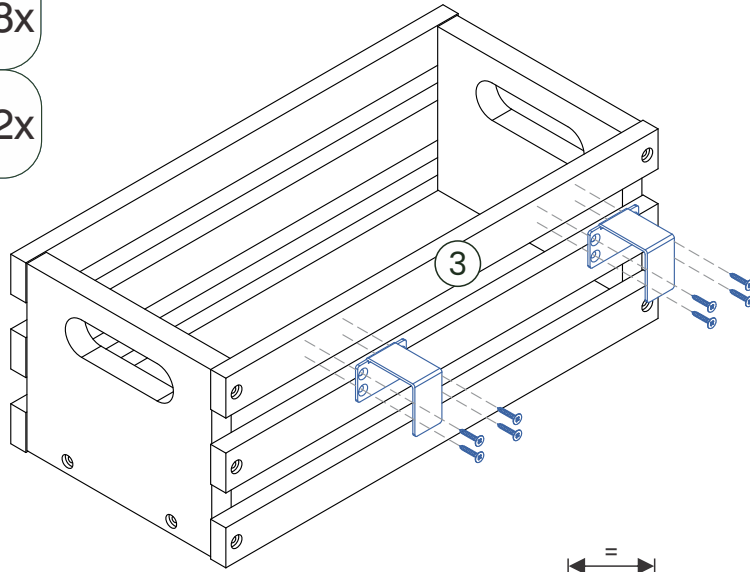
b  12x



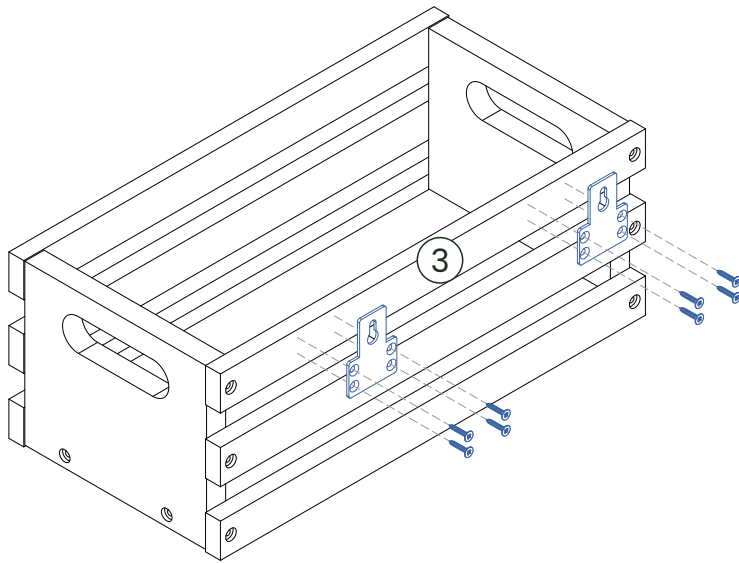
4



# ATTACH SHELF TO THE BED

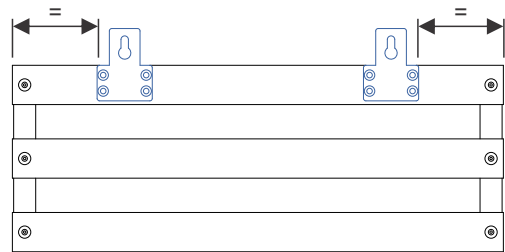
- a  08x
- e  02x



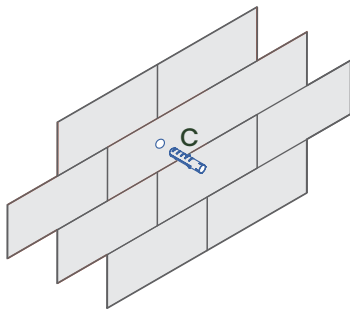
# ATTACH SHELF TO THE WALL





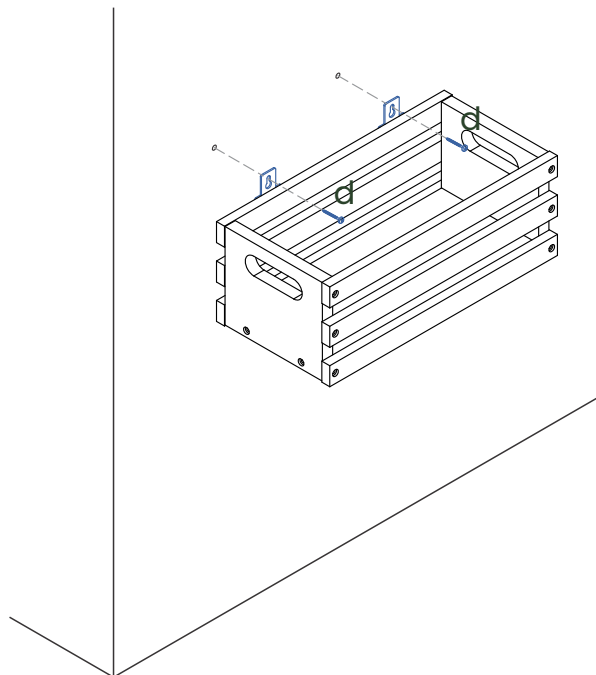
- a  08x
- f  02x



Mark the location to be drilled on the wall with a pencil, then drill the wall and place the hardware 'c' with a rubber hammer.



- c  02x
- d  02x







[www.simplykidsroom.com](http://www.simplykidsroom.com)

