

SOLID WOOD TWIN BUNK BED

ASSEMBLY INSTRUCTIONS

MODEL: 1210.9.1.588

LOT #: 21/0172



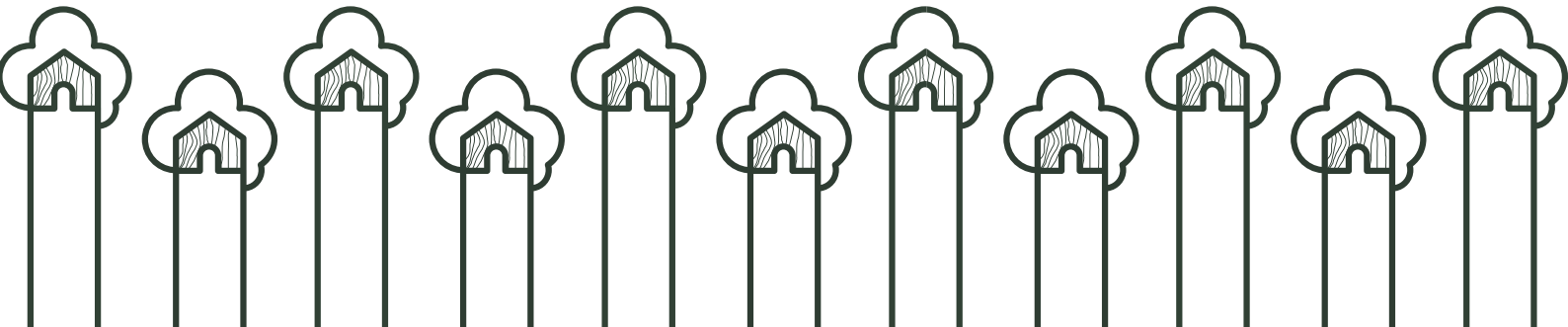
assembling
2 people



time
approximately 120 minutes



tools
screwdriver, hammer



www.simplykidsroom.com

Manufacturer: Móveis Caftor LTDA - Rio Negrinho / SC - Brazil - 89295-000

Distributed in the USA by: Simply Kids Room, LLC - Orlando / FL - United States - 32809

Email: contact@simplykidsroom.com / Phone: 1-888-343-0730

WARNING

Size of Mattress and Foundation

This bunk bed is designed to use mattresses of 74" - 75" long and 37 ½" - 38 ½" wide and maximum thickness of 6" (high inches). Do not use mattress without the proper bunkie board of safe foundation.

Replacement Parts

Replacement parts, including additional guardrails, may be obtained from Simply Kids Room, LLC.

Safety Warnings

- Follow the information on the warnings appearing on the upper bunk end structure and on the carton. Do not remove warning label from bed.
- Always use the recommended size mattresses or mattress supports, or both, to help prevent the likelihood of entrapment or falls.
- Surface of mattress must be at least 5 in. (127 mm) below the upper edge of guardrails.
- Do not allow children under 6 years of age to use the upper bunk.
- Prohibit more than one person on upper bunk.
- Periodically check and ensure that the guardrail, ladder, and other components are in their proper position, free from damage, and that all connectors are tight.
- Do not allow horseplay on or under the bed and prohibit jumping on the bed.
- Always use the ladder for entering and leaving the upper bunk.
- Do not use substitute parts. Contact Simply Kids Room, LLC for replacement parts.
- Use of a night light may provide added safety precaution for a child using the upper bunk.
- Always use guardrails on both long sides of the upper bunk. If the bunk will be placed next to the wall, the guardrail that runs the full length of the bed should be placed against the wall to prevent entrapment between the bed and wall.
- The use of water or sleep flotation mattresses is prohibited.
- STRANGULATION HAZARD - Never attach or hang items to any part of the bunk bed that are not designed for use with the bed; for example, but not limited to, hooks, belts and jump ropes.
- Keep these instructions for future reference.
- The maximum weight limit for upper bunk is 220 lbs (100 kg).
- DO NOT use this bunk bed if the assembly instructions can't be strictly followed.
- Read all instructions before assembling this bunk bed. Keep instructions for future use.

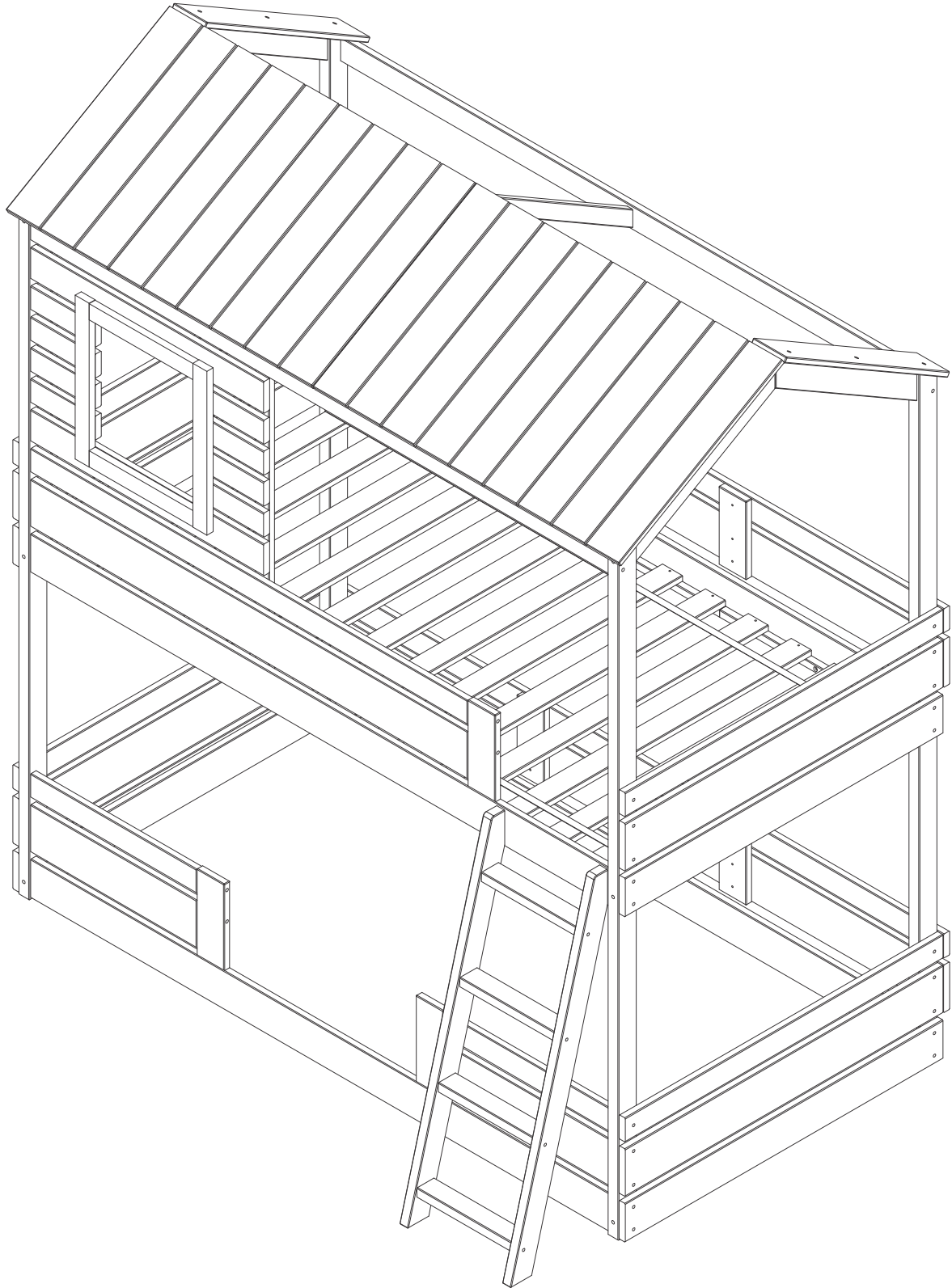
Care and Cleaning

To remove accumulated dust of your wood product use a soft, lint-free cloth. For a deeper cleaning use a soft, lint-free cloth which has been dampened on a solution of neutral detergent and warm water. Do not use oily products, abrasives, ammonia or other aggressive products of cleaning.

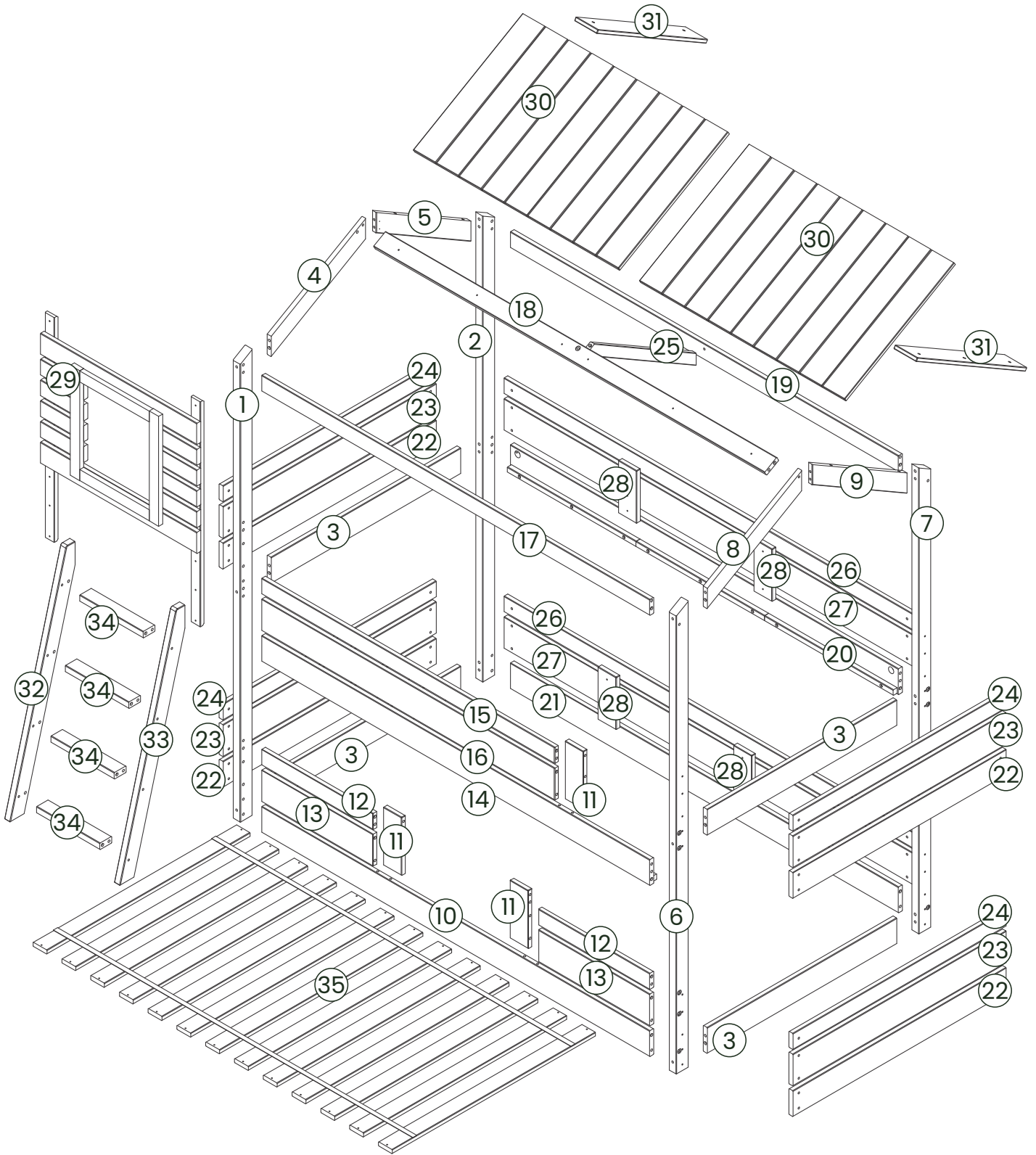
How to prevent your wood furniture from warping, cracking or drying out:

- Keep moderate temperatures (70°F - 72°F) and humidity around 50% - 55% in your home set.
- Ensure your humidifier is working properly.
- Avoid recurrent and/or sudden variation in humidity.
- Place your wood furniture away from heat sources, for example, but not limited to fireplaces or radiators.
- Keep your furniture away from direct sunlight.
- Use a dehumidifier during rainy seasons to remove excess moisture from the air.

SOLID WOOD TWIN BUNK BED



PARTS

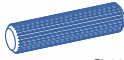



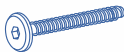

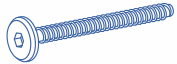

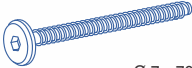

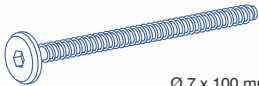

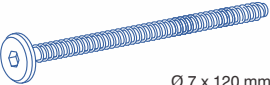
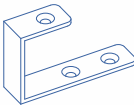
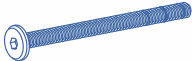


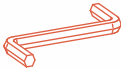


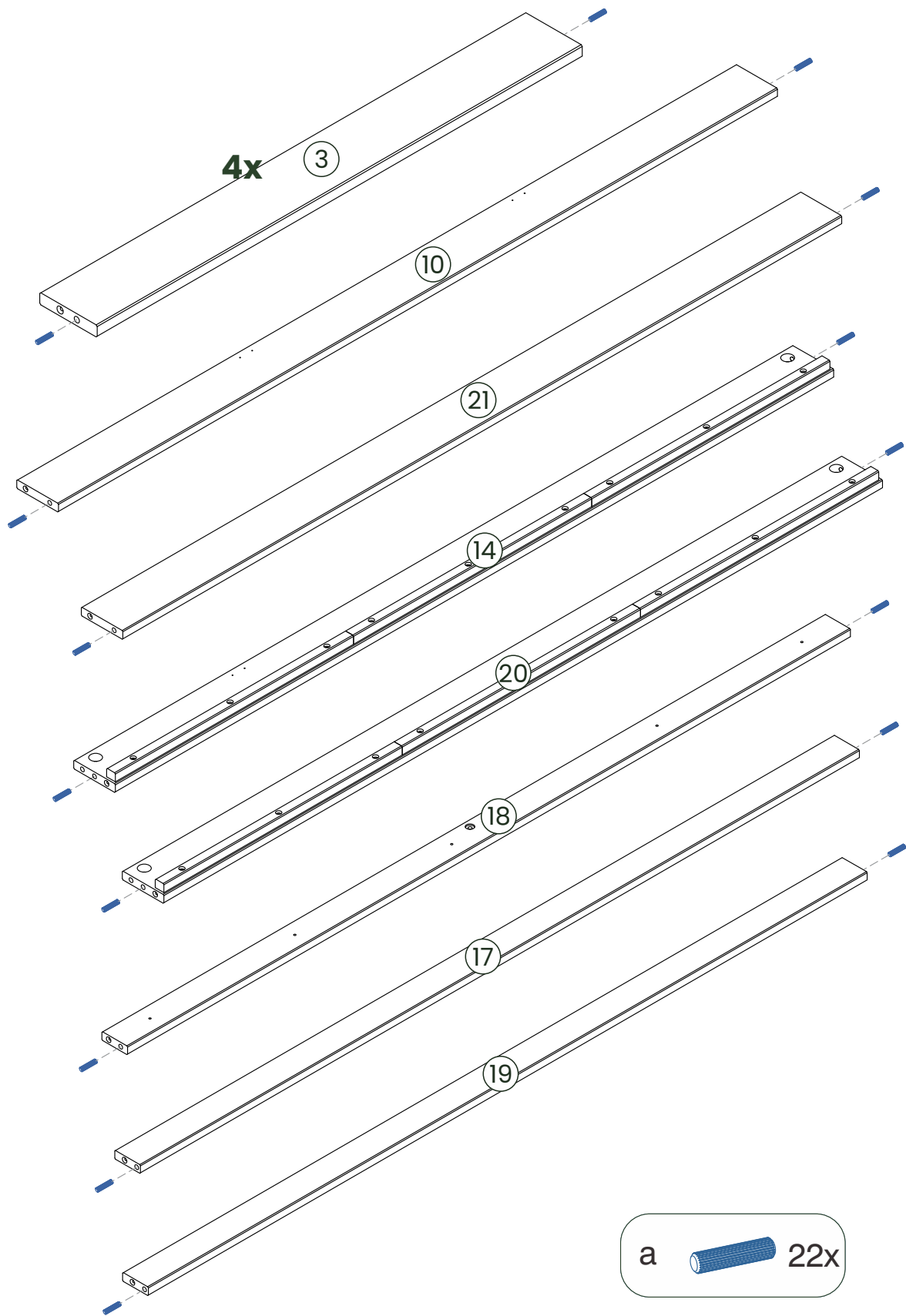
Do not remove warning labels!

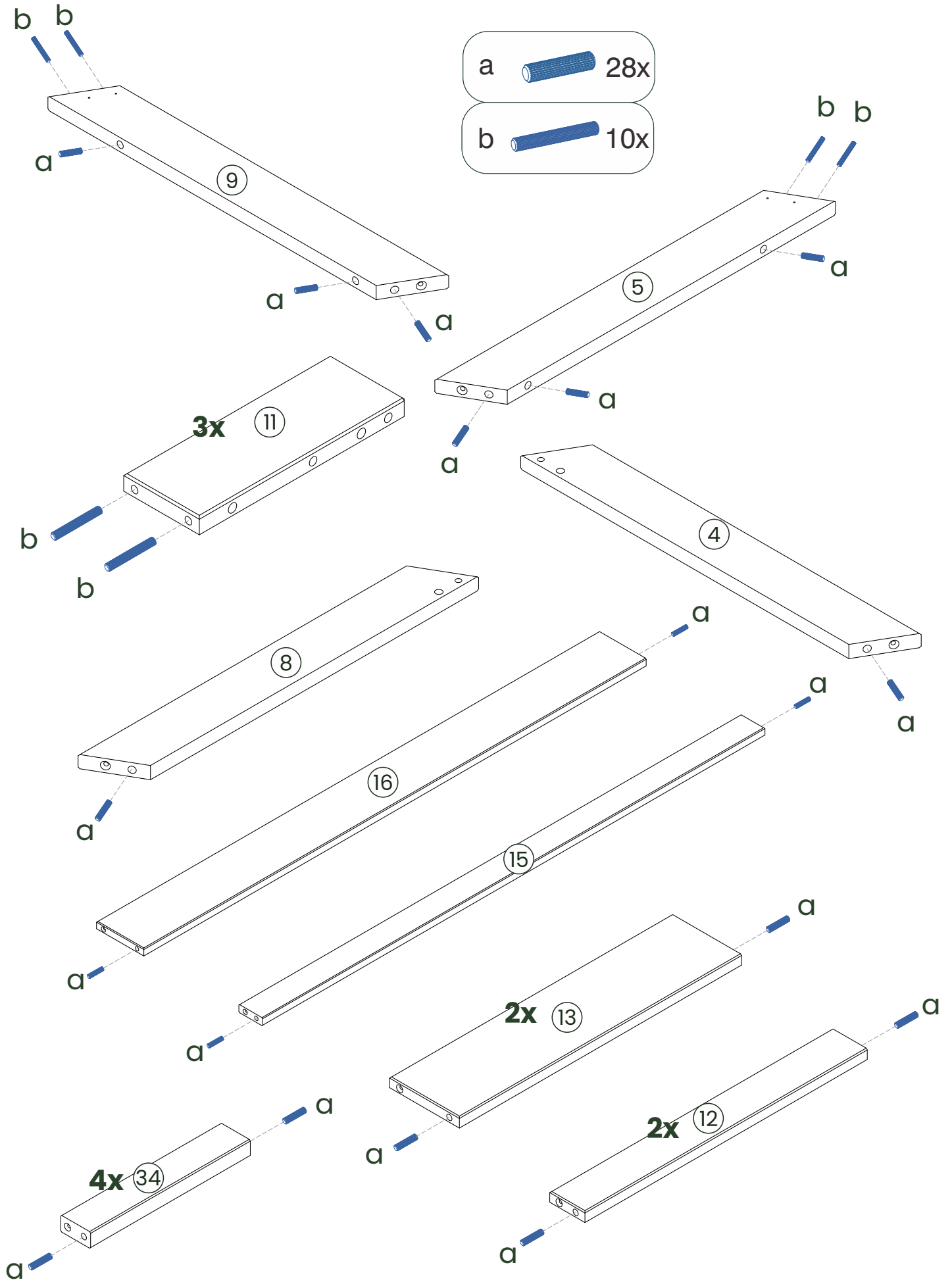


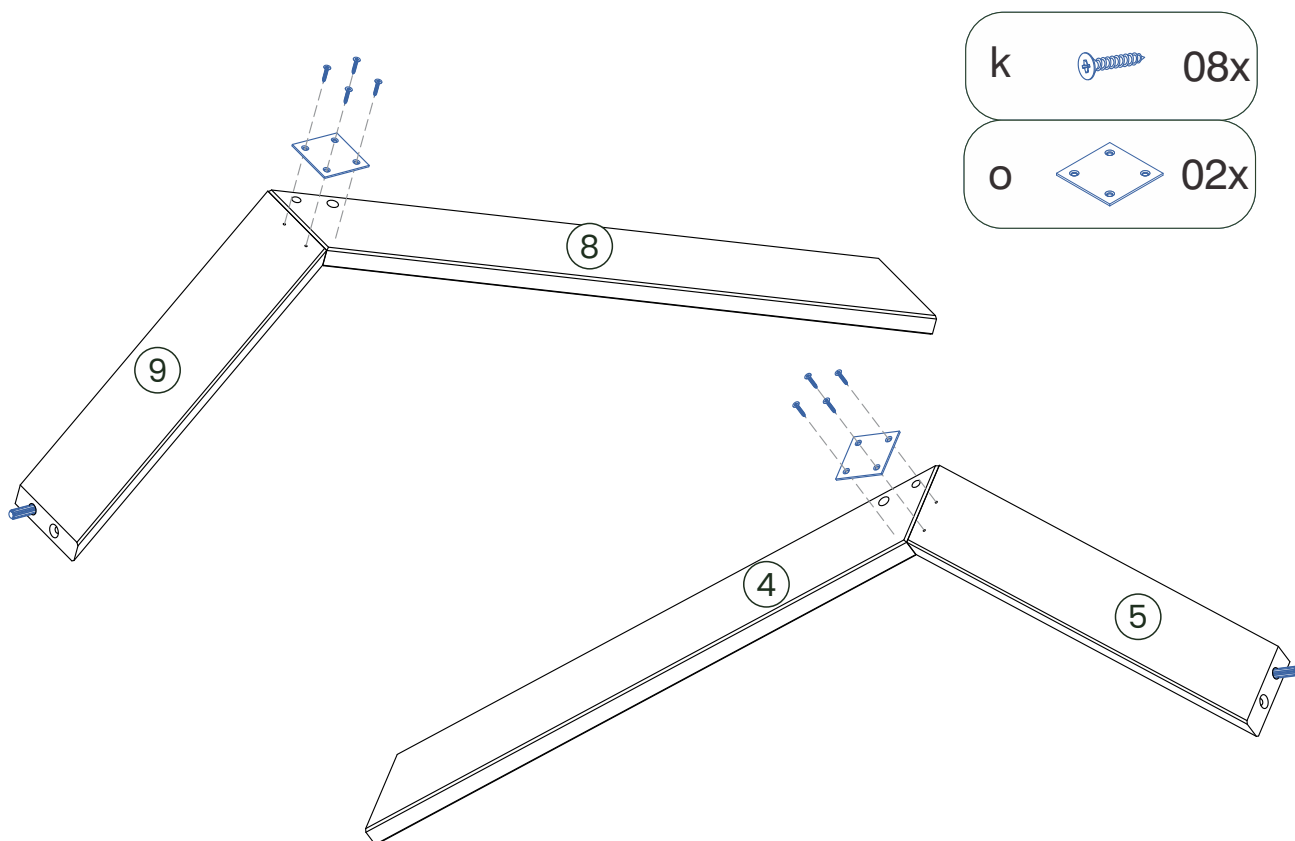
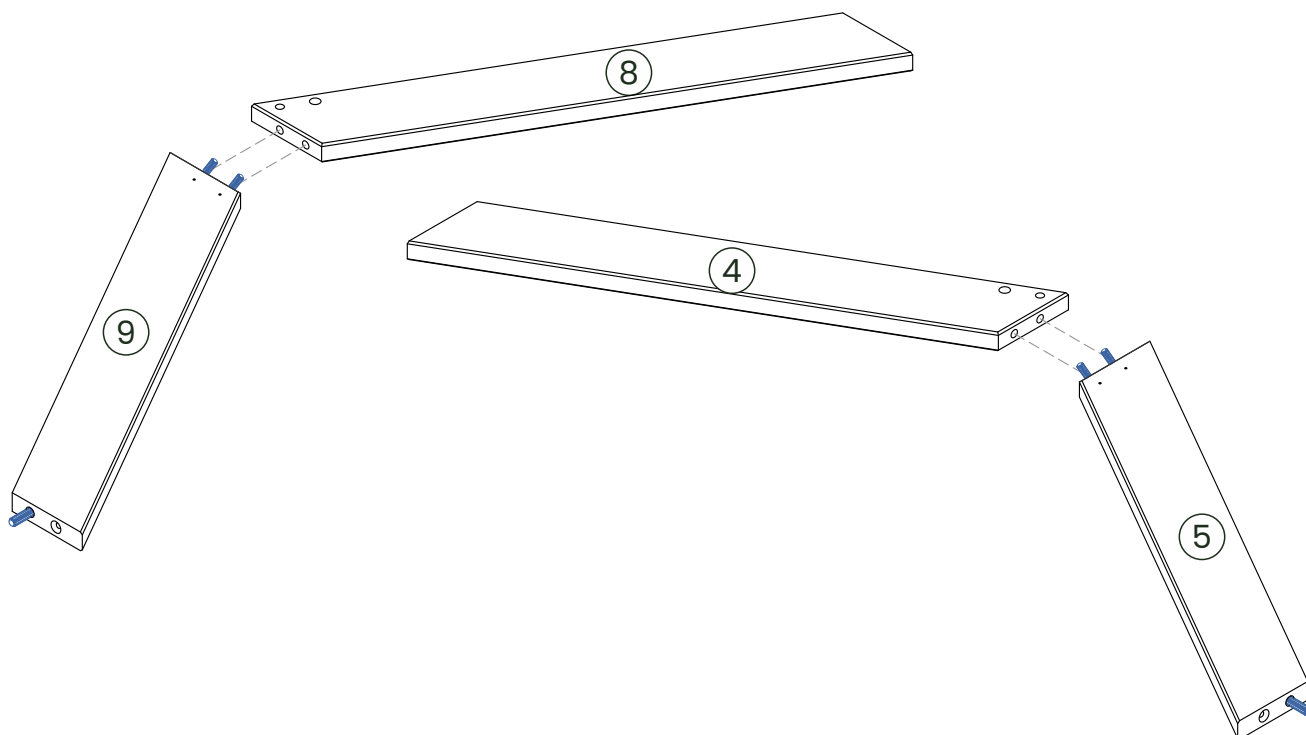
Please be careful when assembling this product due the parts are extremely heavy. Also, please do not allow kids around when assembling this bed to avoid injuries.


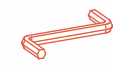
HARDWARE

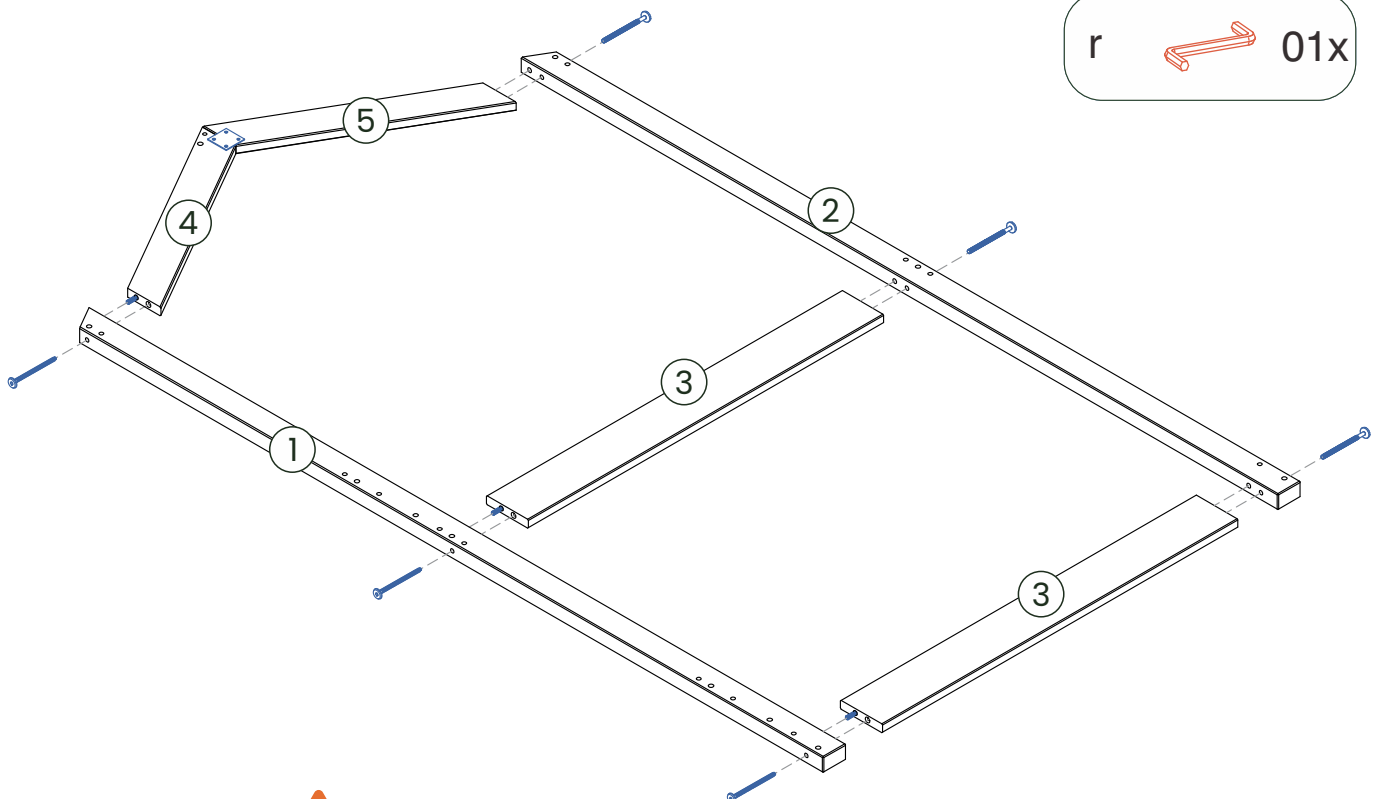
| | | | | | |
|---|---|-----------|---|--|-----------|
| a |  Ø 10 x 40 mm Ø 0.4 x 1.57 in | 50 pcs | j |  Ø 3.5 x 16 mm Ø 0.13 x 0.63 in | 12 pcs |
| b |  Ø 8 x 50 mm Ø 0.31 x 2 in | 10 pcs | k |  Ø 3.5 x 16 mm Ø 0.13 x 0.63 in | 26 pcs |
| c |  Ø 7 x 40 mm Ø 0.28 x 1.57 in | 52 pcs | l |  Ø 4 x 35 mm Ø 0.15 x 1.37 in | 26 pcs |
| d |  Ø 7 x 60 mm Ø 0.28 x 2.36 in | 12 pcs | m |  Ø 4 x 30 mm Ø 0.15 x 1.18 in | 32 pcs |
| e |  Ø 7 x 70 mm Ø 0.28 x 2.75 in | 18 pcs | n |  | 06 pcs |
| f |  Ø 7 x 100 mm Ø 0.28 x 3.93 in | 12 pcs | o |  | 05 pcs |
| g |  Ø 7 x 120 mm Ø 0.28 x 4.7 in | 06 pcs | p |  | 02 pcs |
| h |  Ø 7 x 70 mm Ø 0.25 x 2.75 in | 04 pcs | q |  | 02 pcs |
| i |  | 04 pcs | r |  | 03 pcs |



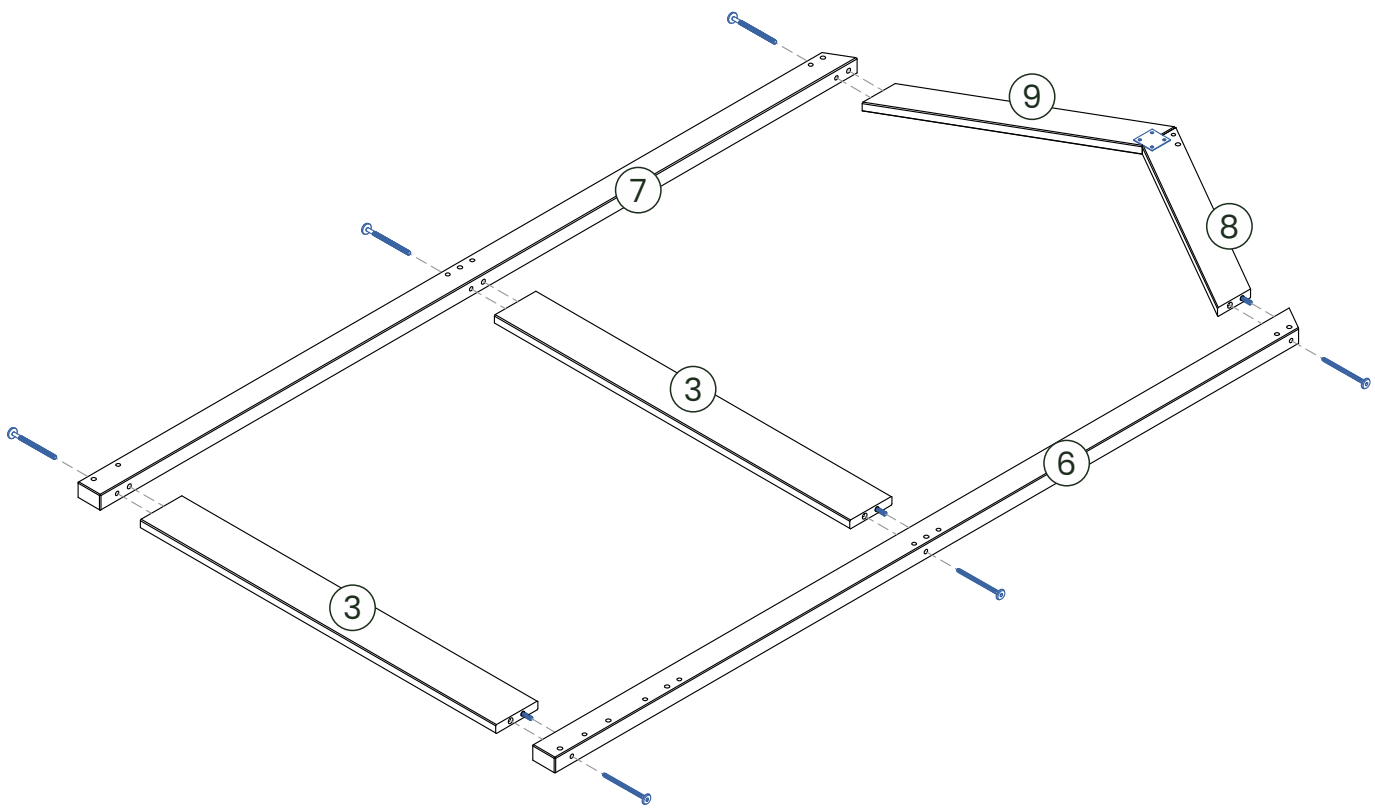


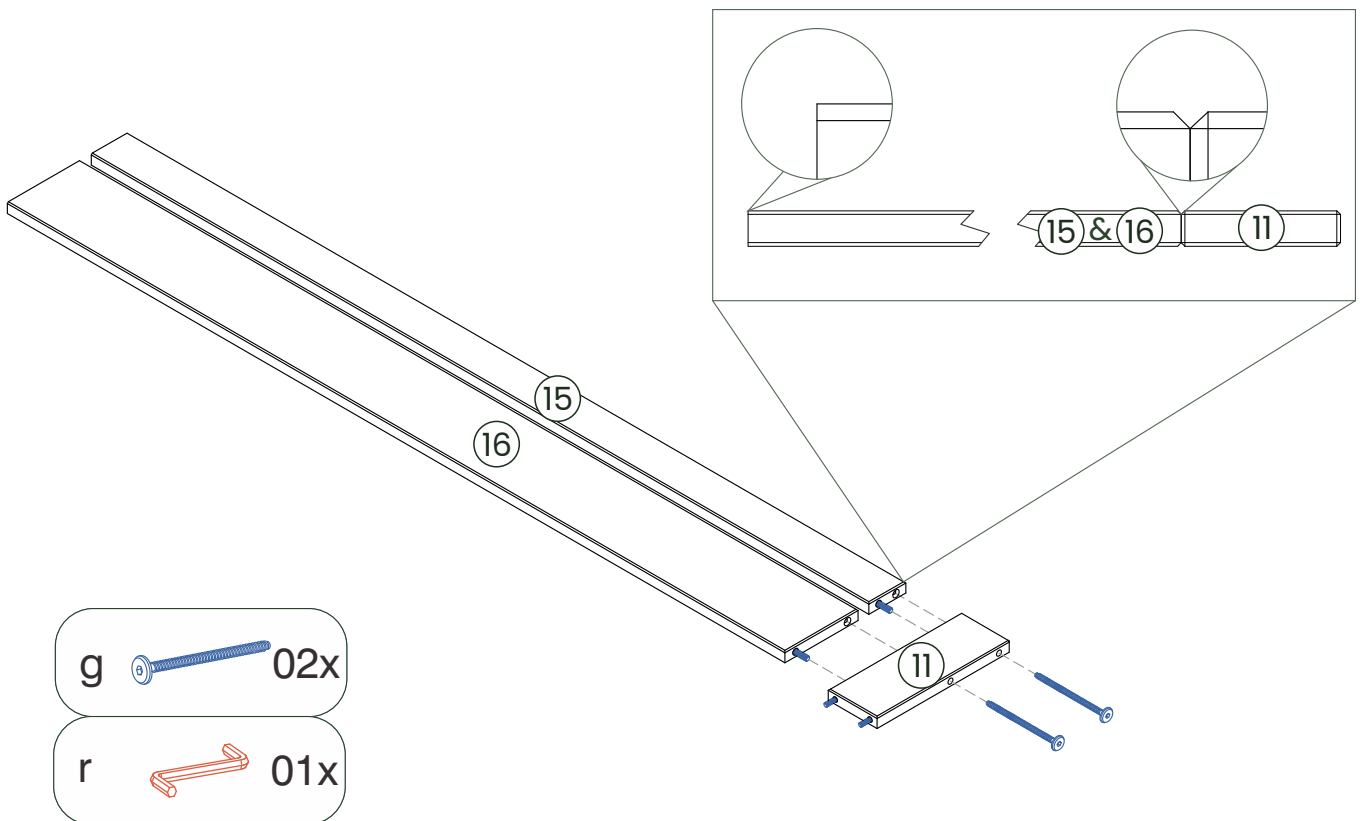
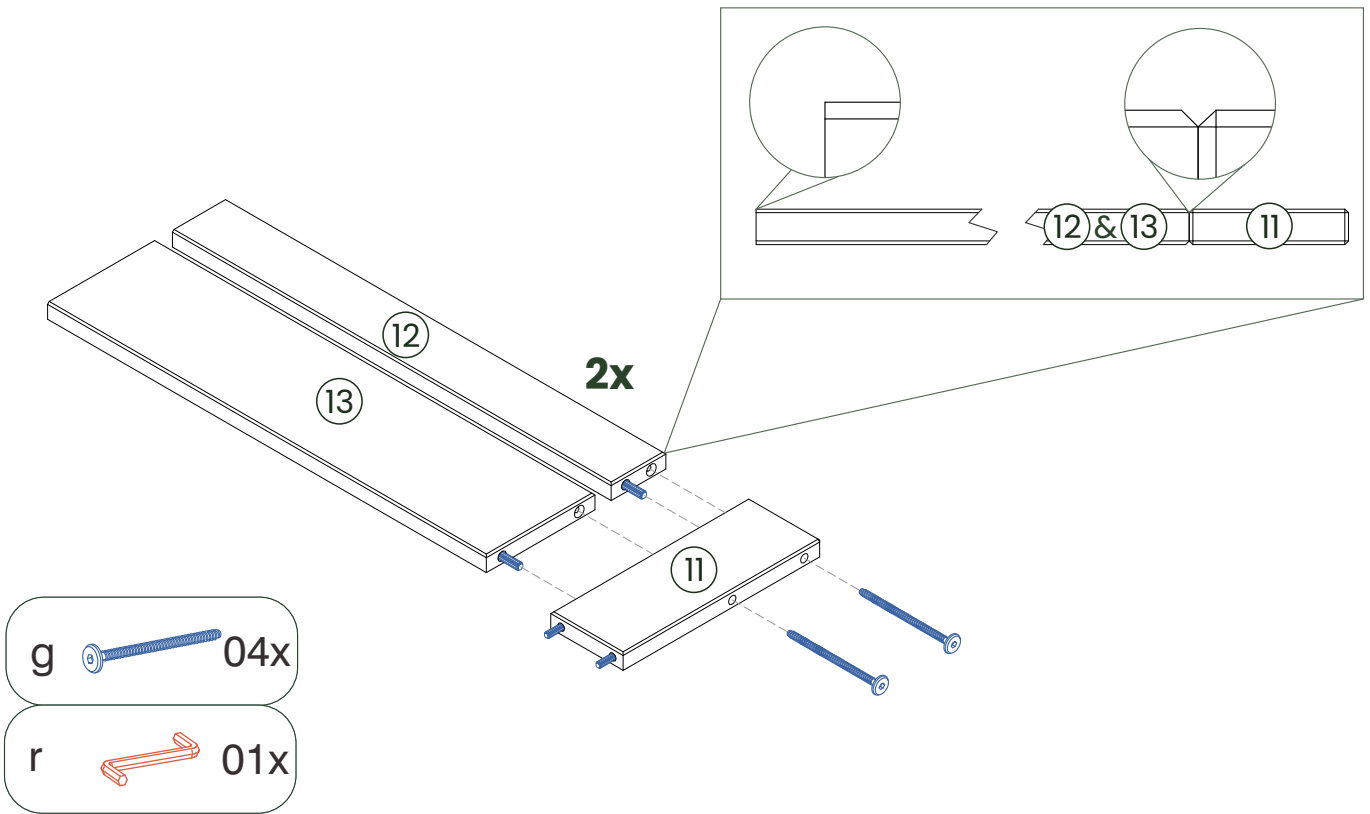


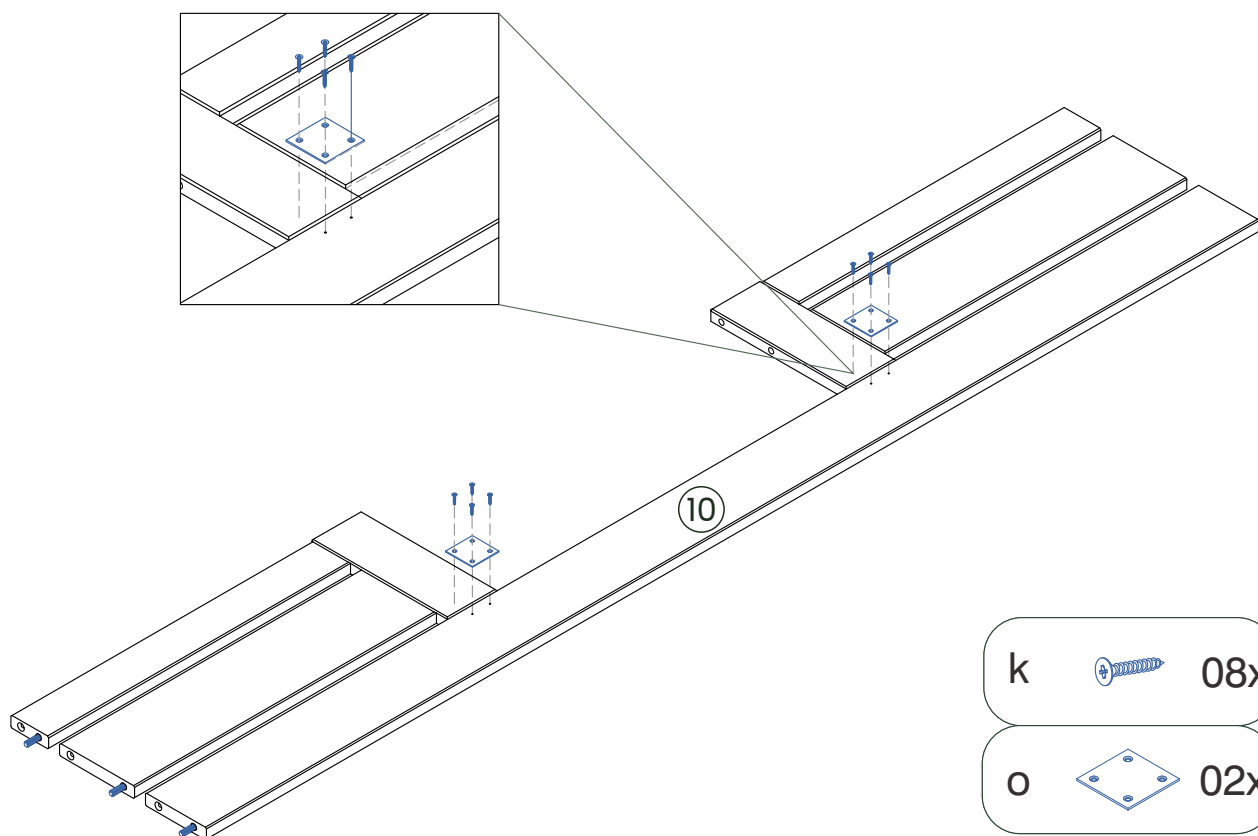
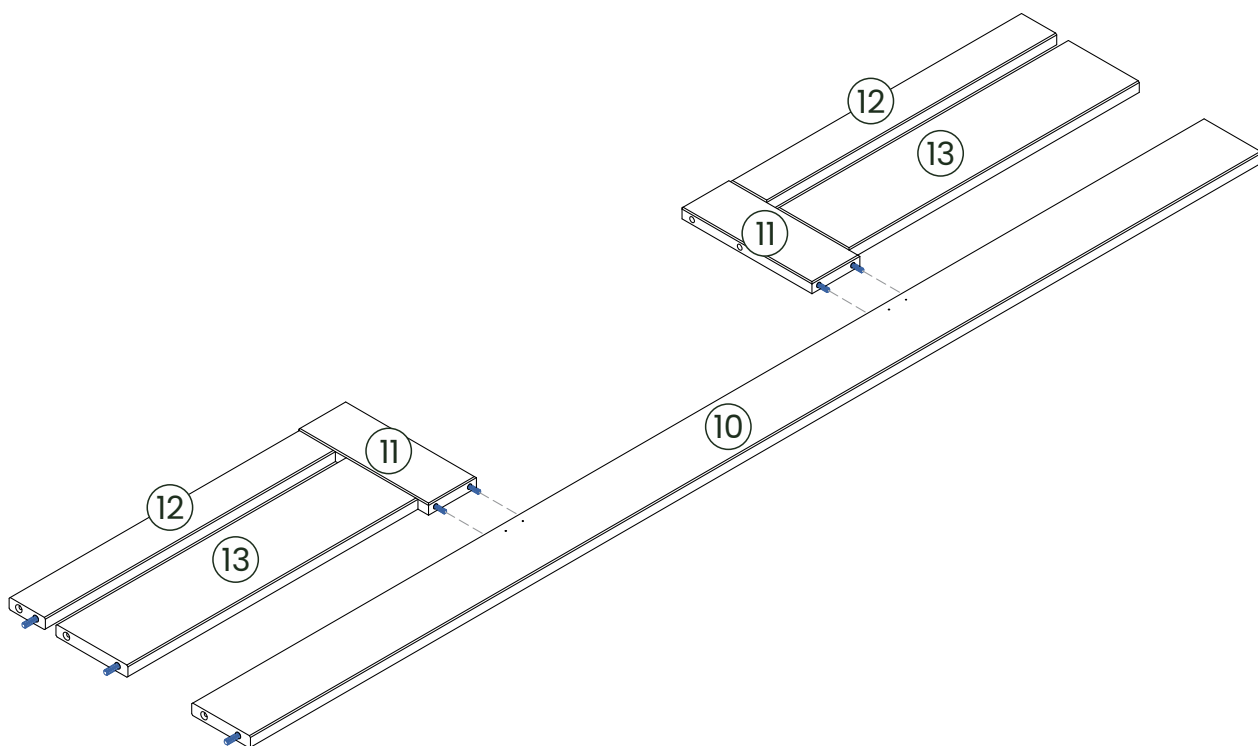
- f  12x
- r  01x

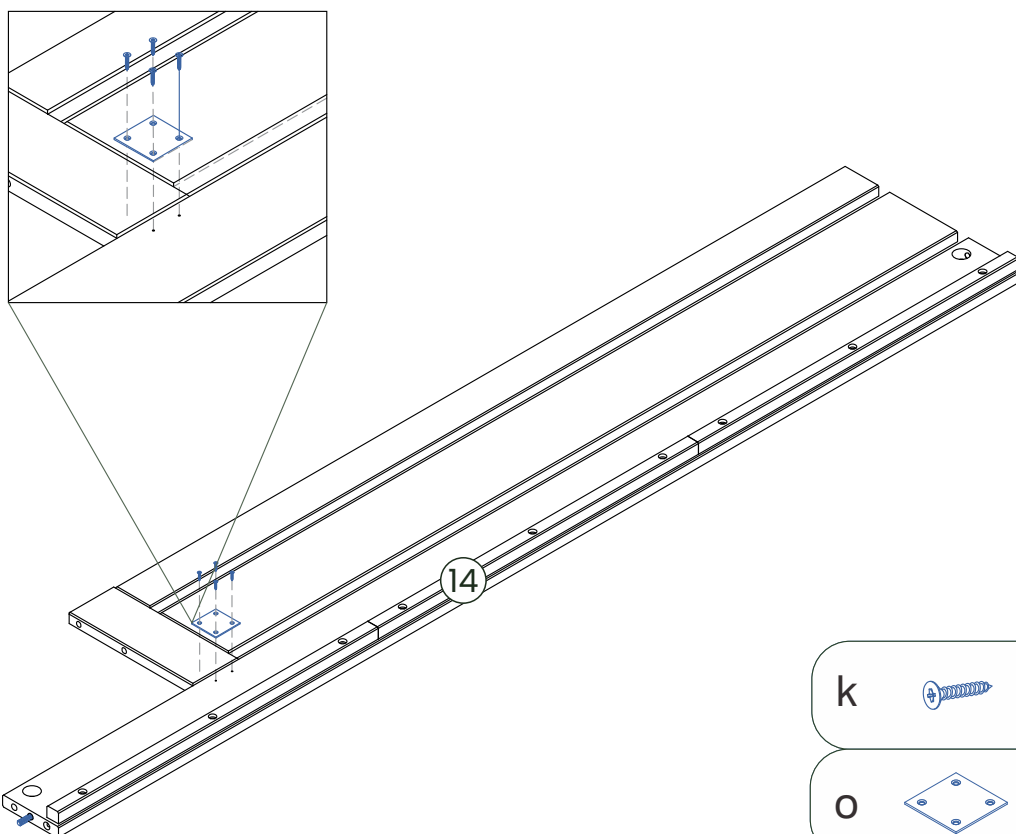
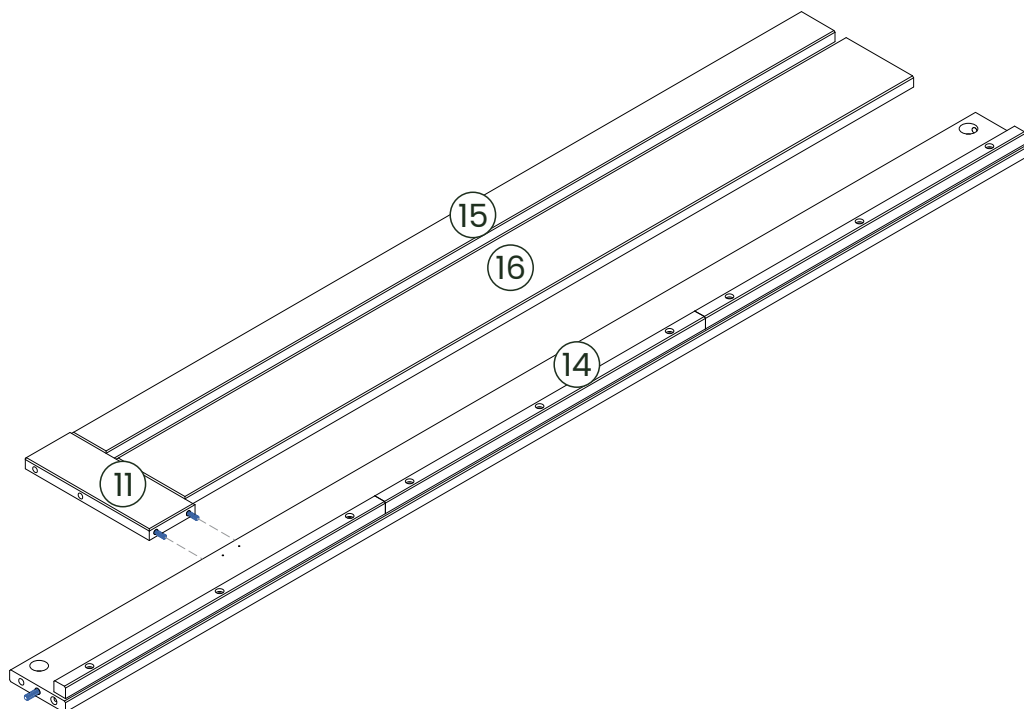




Please assembly the headboards on the floor.









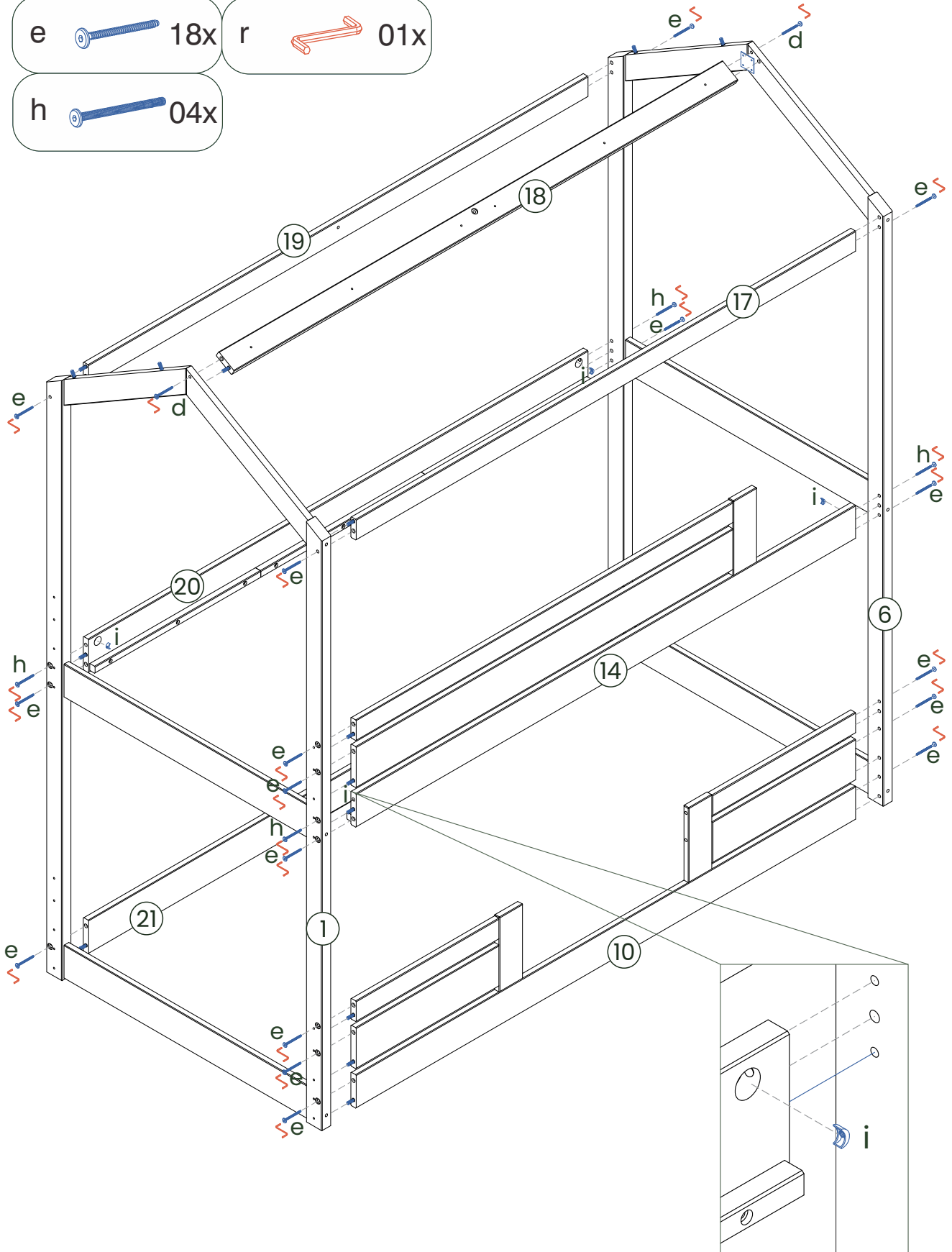
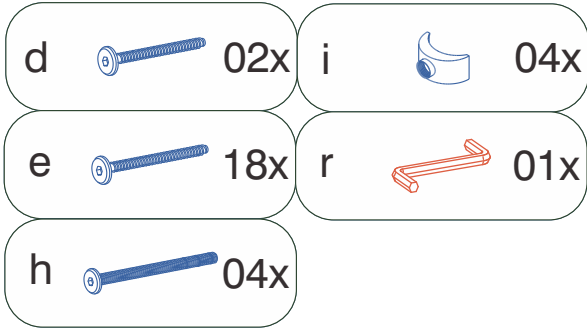
- k  04x
- o  01x

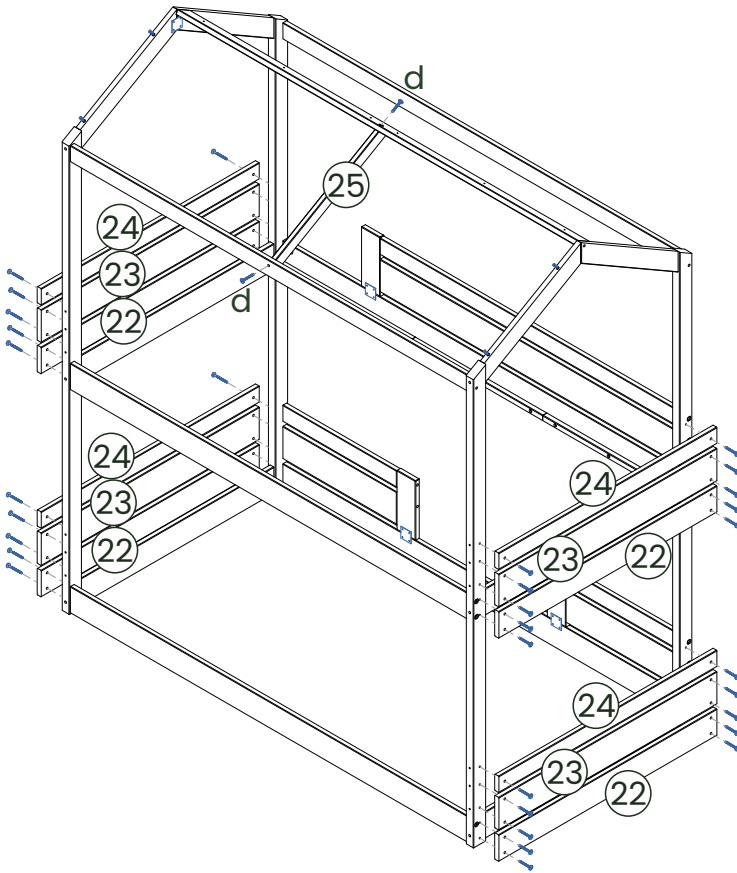




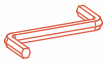
Do not tighten screws until completely assembled.



Please be careful when assembling this product due the parts are extremely heavy. Also, please do not allow kids around when assembling this bed to avoid injuries.

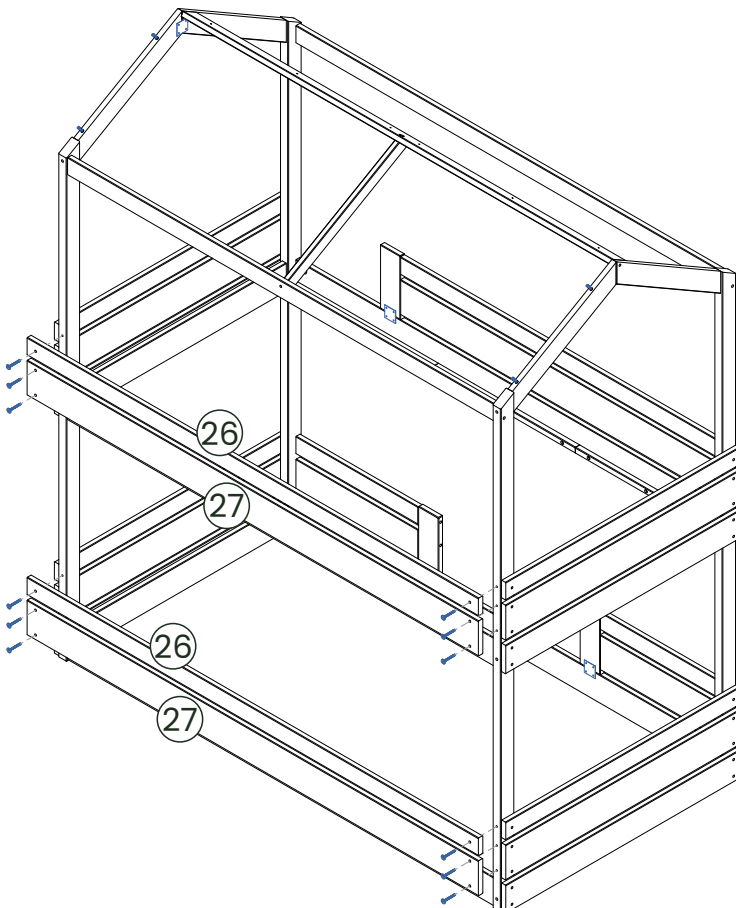



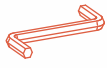


- c  40x
- d  02x
- r  01x



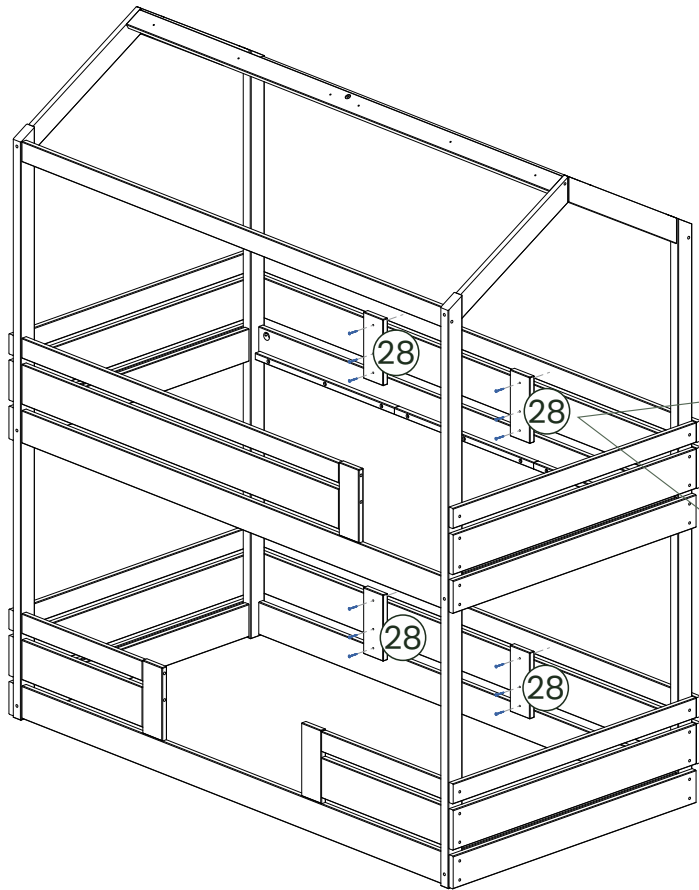
Please be careful when assembling this product due the parts are extremely heavy. Also, please do not allow kids around when assembling this bed to avoid injuries.




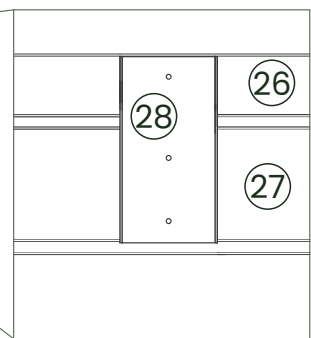
- c  12x
- r  01x




Please be careful when assembling this product due the parts are extremely heavy. Also, please do not allow kids around when assembling this bed to avoid injuries.

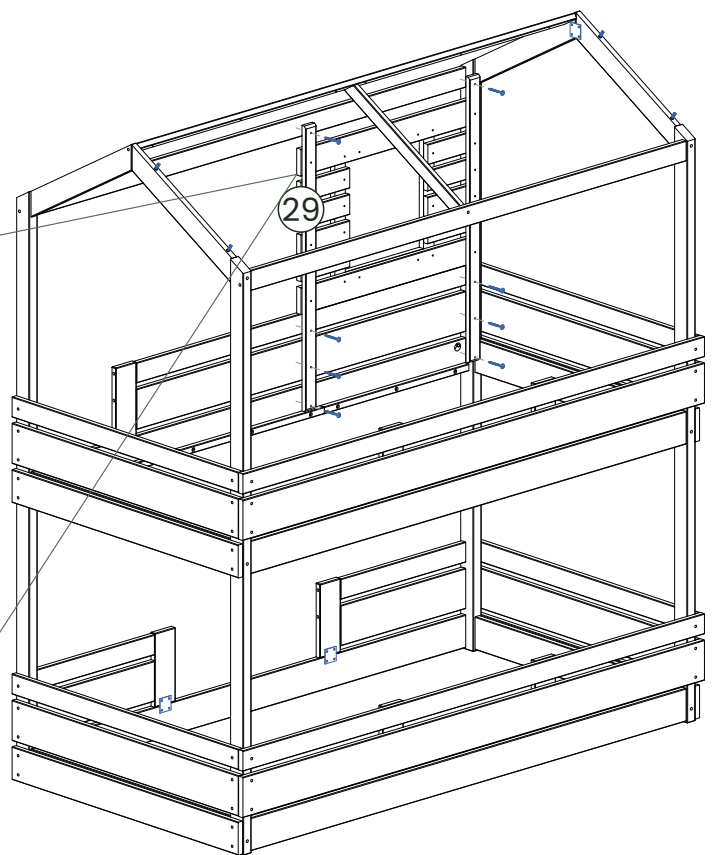
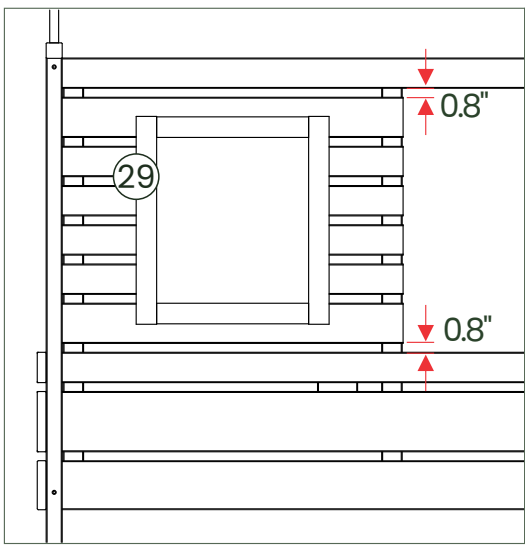


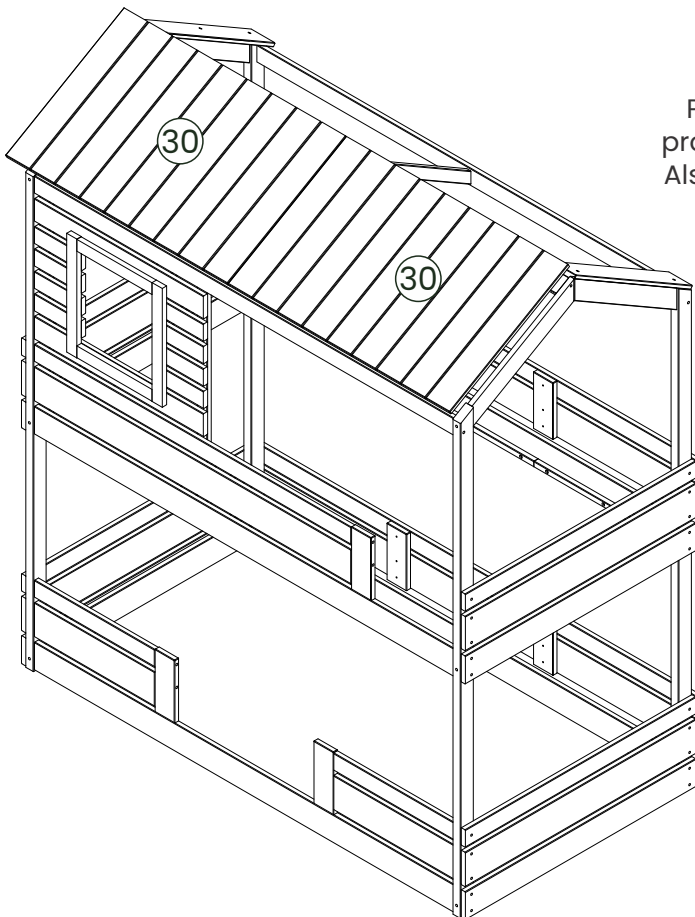
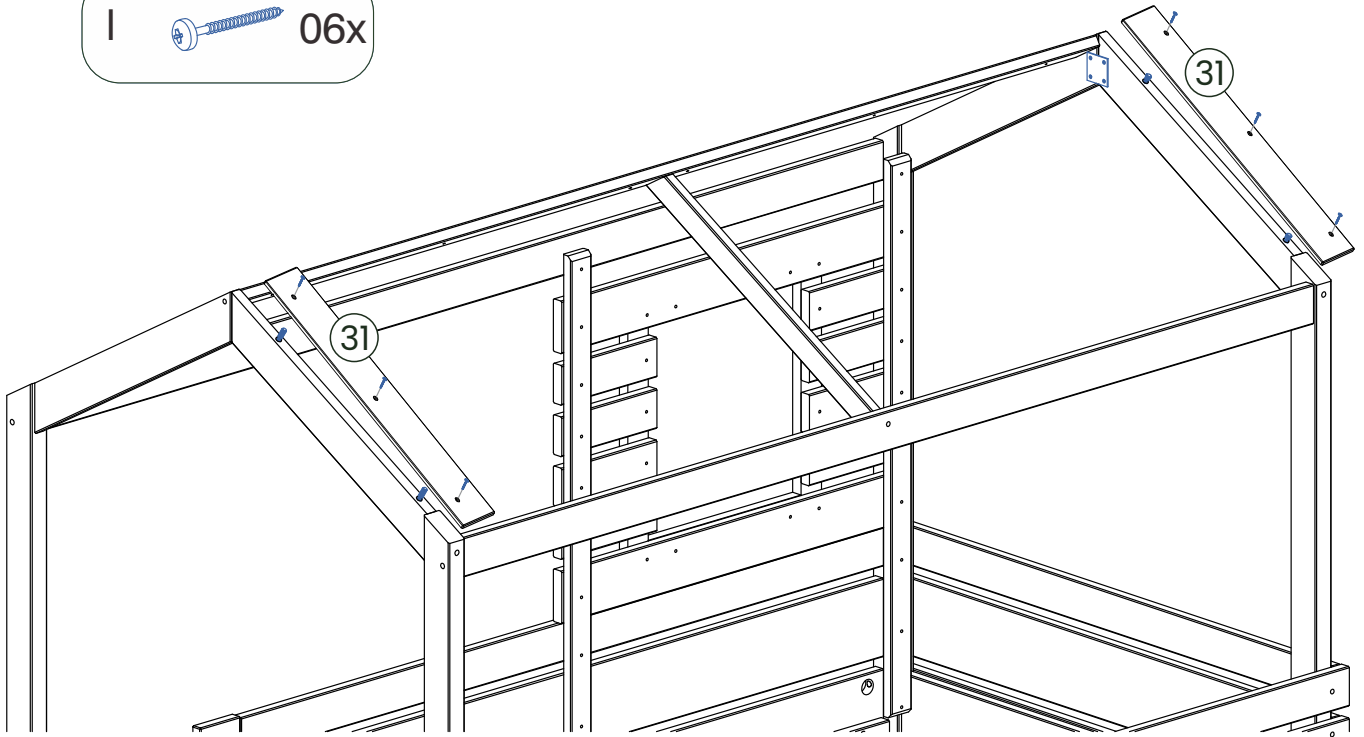
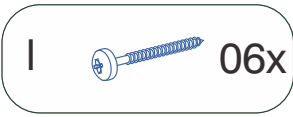
I  12x



Please be careful when assembling this product due the parts are extremely heavy. Also, please do not allow kids around when assembling this bed to avoid injuries.

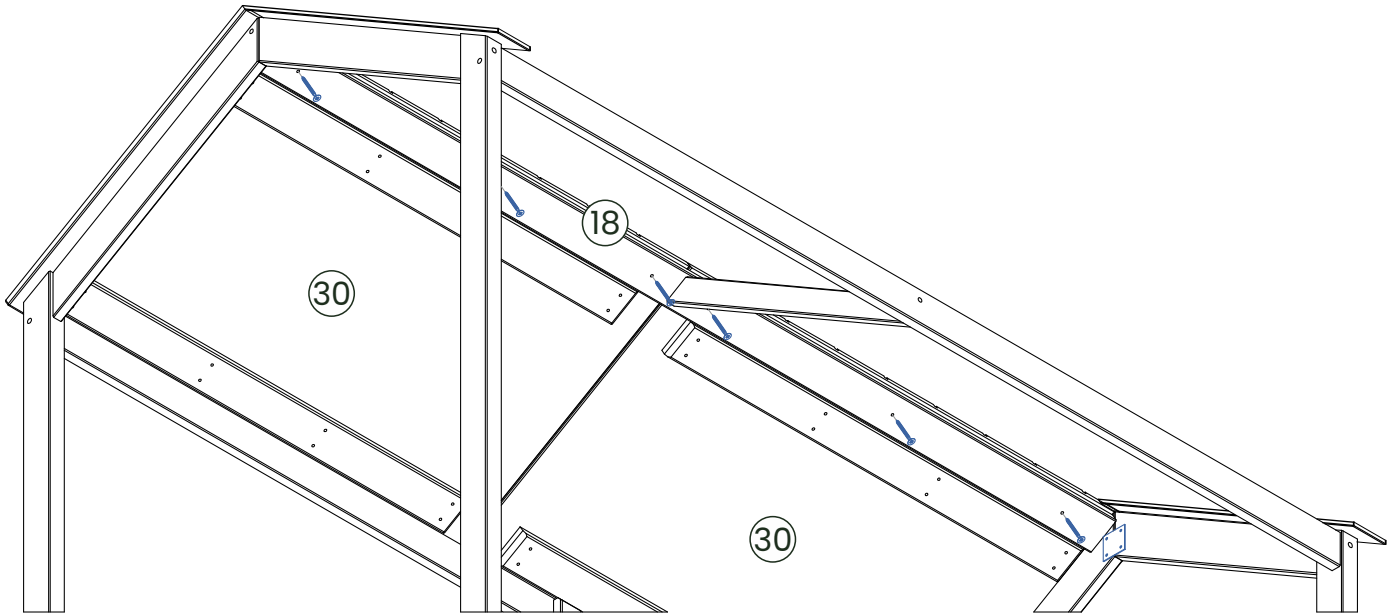
I  08x





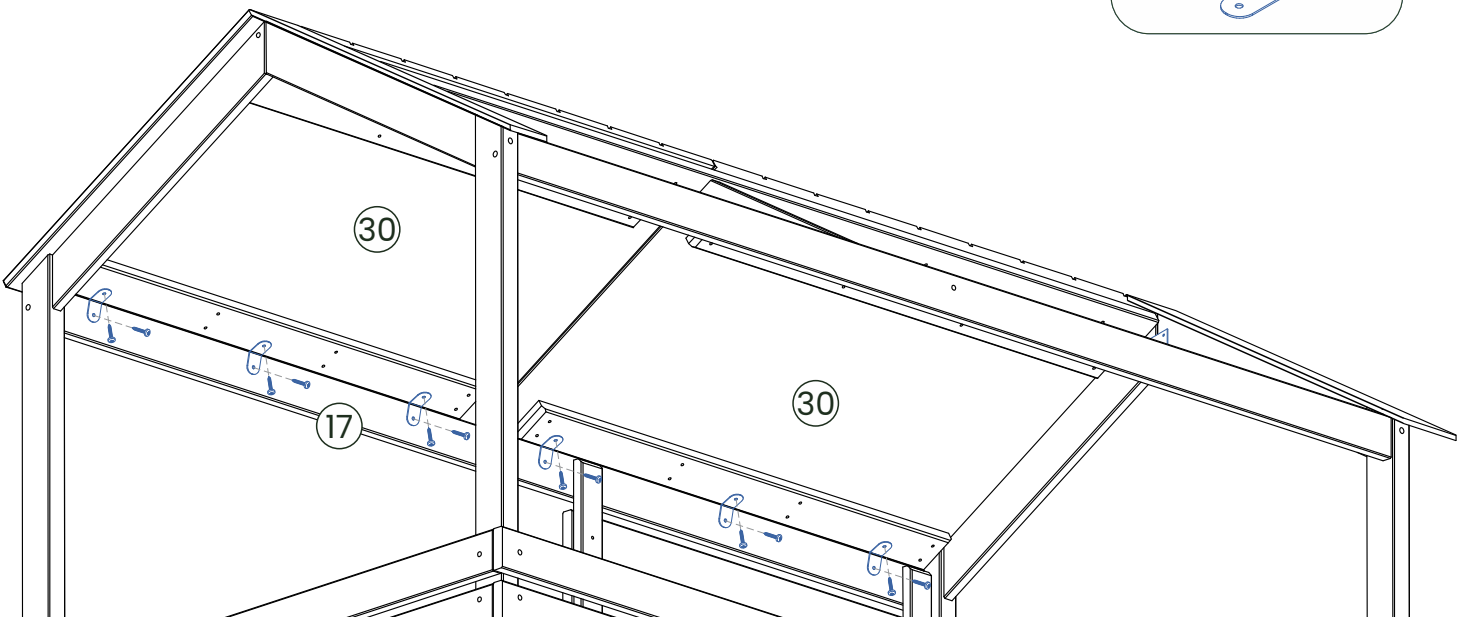
Please be careful when assembling this product due the parts are extremely heavy. Also, please do not allow kids around when assembling this bed to avoid injuries.

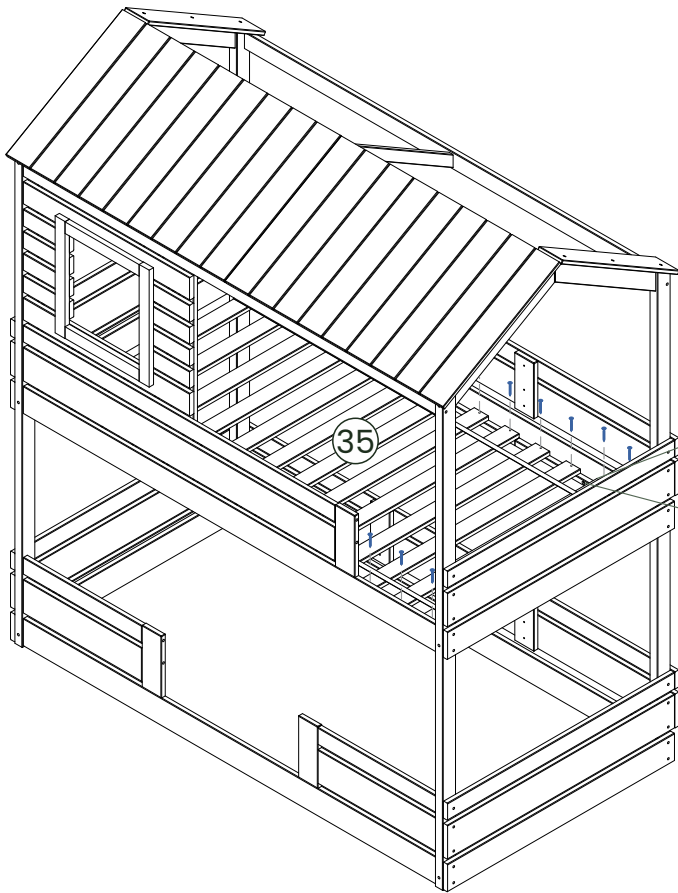
m  06x




j  12x

n  06x

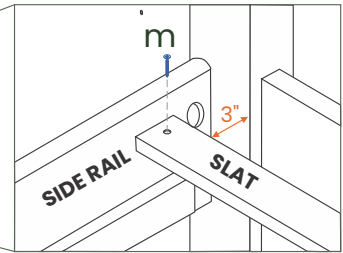






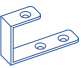
m  26x




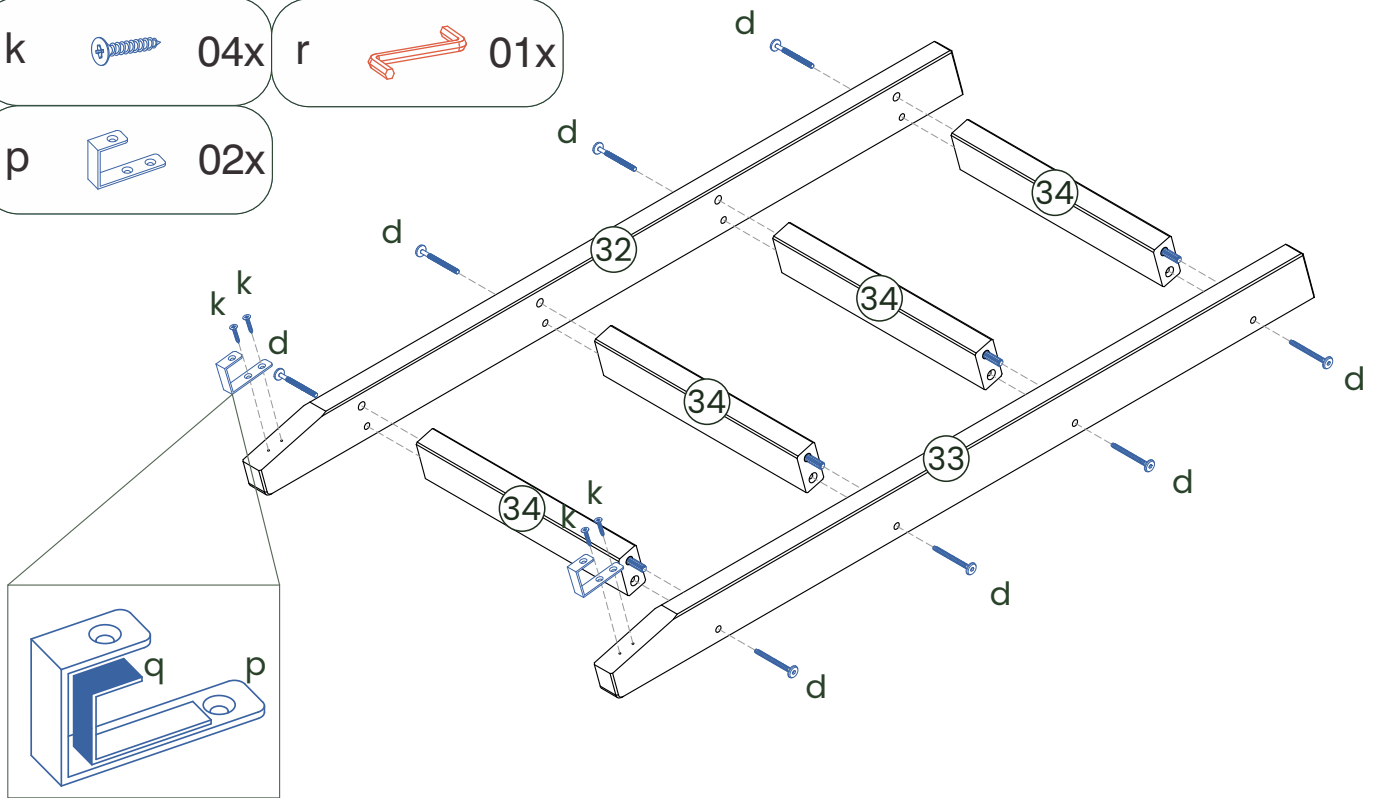
Install the slat kit (#35) with the spacer tape on top (facing up).




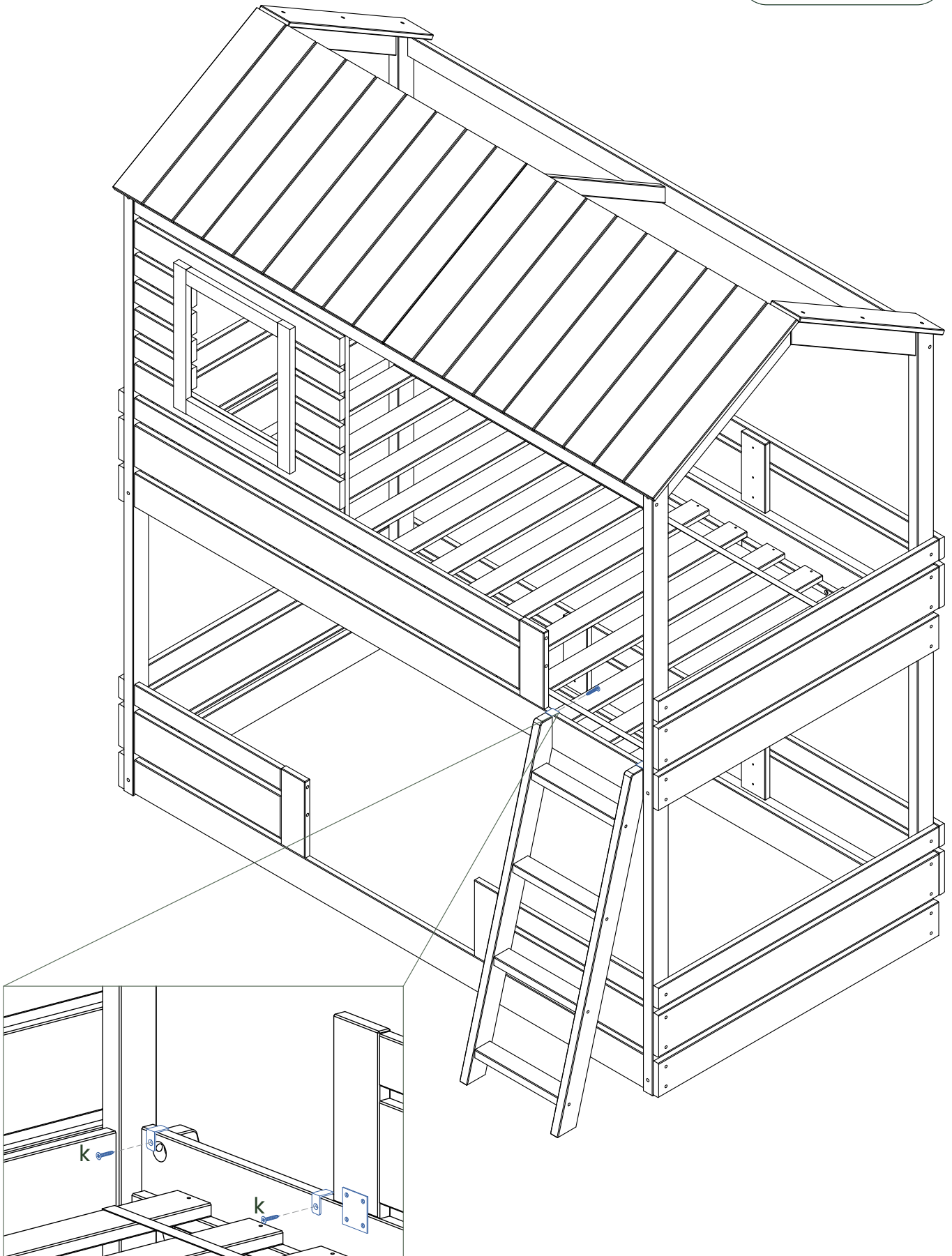
The first and last slats must be fixed at 3" from each headboard end.

- d  08x
- k  04x
- p  02x

- q  02x
- r  01x



k  02x





www.simplykidsroom.com

