

**SIMPLY  
NURSERY**

# RETRO SIDE TABLE

Model: 1118.015.0002

Modèle: 1118.015.0002



assembling / assemblage  
1 person / 1 personne



time / temps  
approximately 40 minutes / environ 40 minutes



tools / outils  
philips screwdriver, rubber hammer /  
tournevis cruciforme, marteau en caoutchouc

**ASSEMBLY INSTRUCTIONS  
INSTRUCTIONS D'ASSEMBLAGE**

[www.simplynursery.com](http://www.simplynursery.com)

Manufacturer Móveis Caftor Ltda. 4363 Dona Francisca St. - Rio Negrinho/SC - Brazil - 89295-000.  
Fabricant Móveis Caftor Ltda. 4363 Rue Dona Francisca - Rio Negrinho/SC - Brésil - 89295-000.

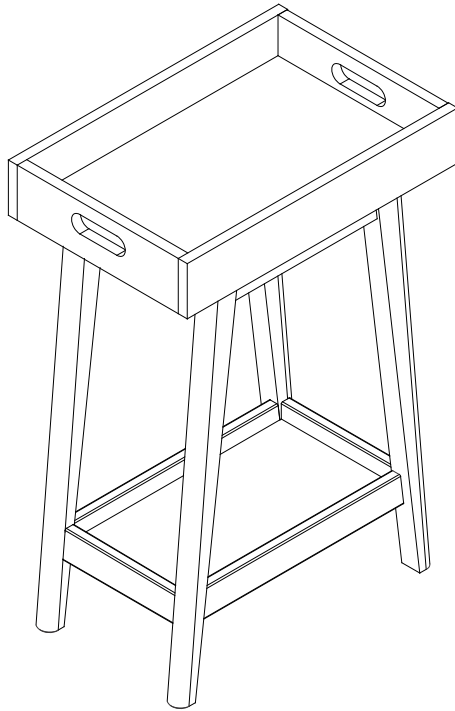
Distributed in the USA by: TULIPAKIDS, LLC.

8600 Commodity Circle STE 121 Office 236 - Orlando/Florida - 32819 - United States - 1-888-343-0730

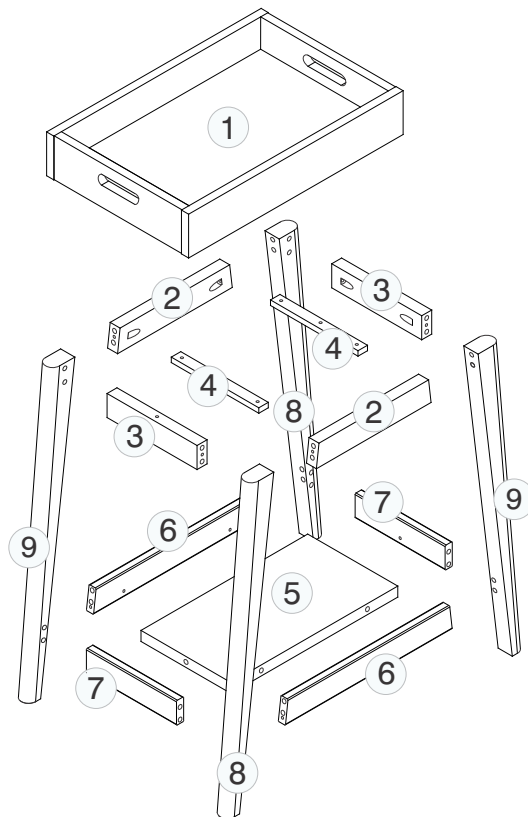
Distribué aux États-Unis par: TULIPAKIDS, LLC.

8600 Commodity Circle STE 121 Office 236 - Orlando/Florida - 32819 - United States - 1-888-343-0730

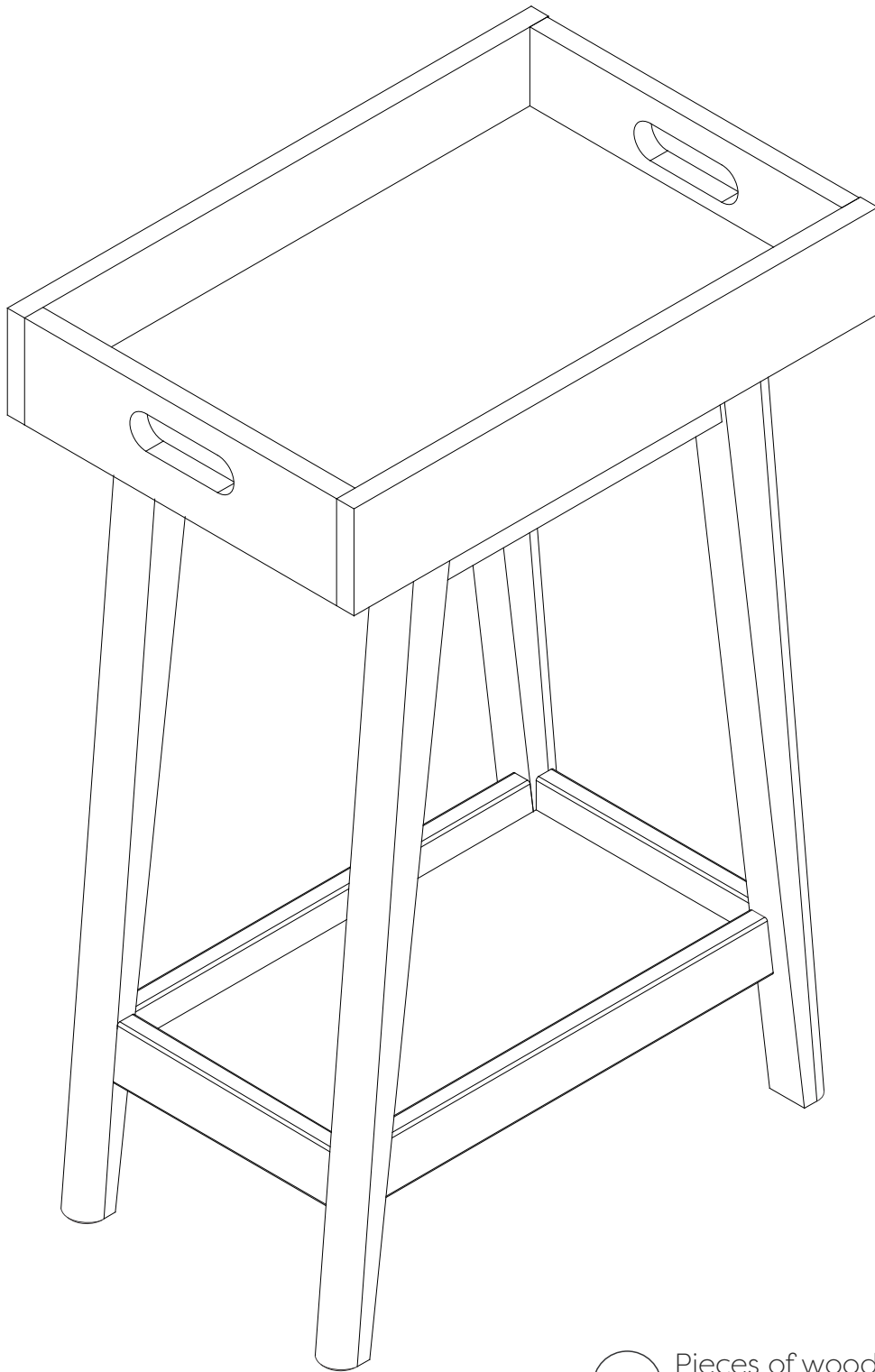
# RETRO SIDE TABLE



## Parts Pièces



# Finish Fini

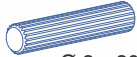


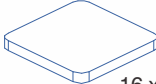


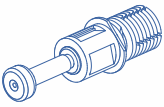


○ Pieces of wood  
○ Morceaux de bois

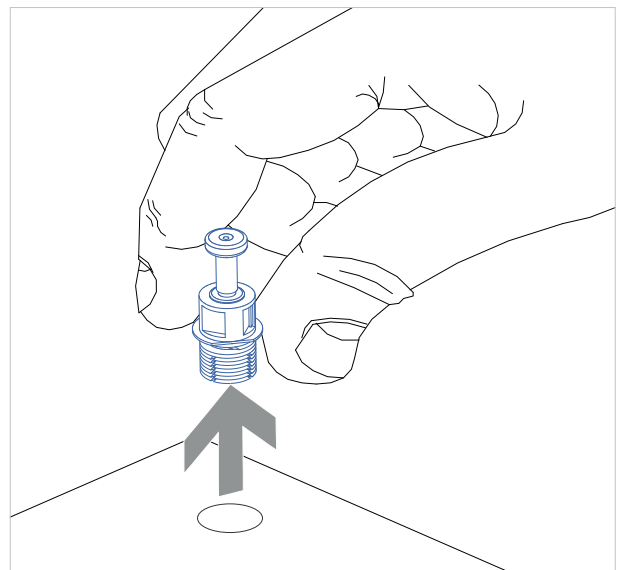
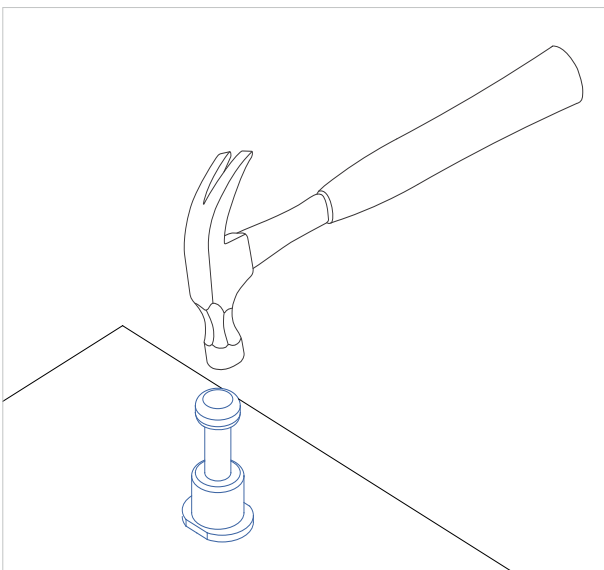
# Hardware Set

## Accessoires de Montage

The hardware set of product assembling are inside of the box.  
Les accessoires de montage se trouve à l'intérieur de la boîte.

a	 Ø 8 x 30 mm Ø 5/16" x 1-3/16"	32 pcs	e		6 pcs
b	 Ø 3,5 x 20 mm Ø 9/64" x 25/32"	4 pcs	f	 16 x 16 mm 5/8" x 5/8"	4 pcs
c	 Ø 4 x 35 mm Ø 5/32" x 1-3/8"	14 pcs	g		4 pcs
d		6 pcs			

## Removing cam bolt Enlèvement le boulon de came



1

2

3

4

5

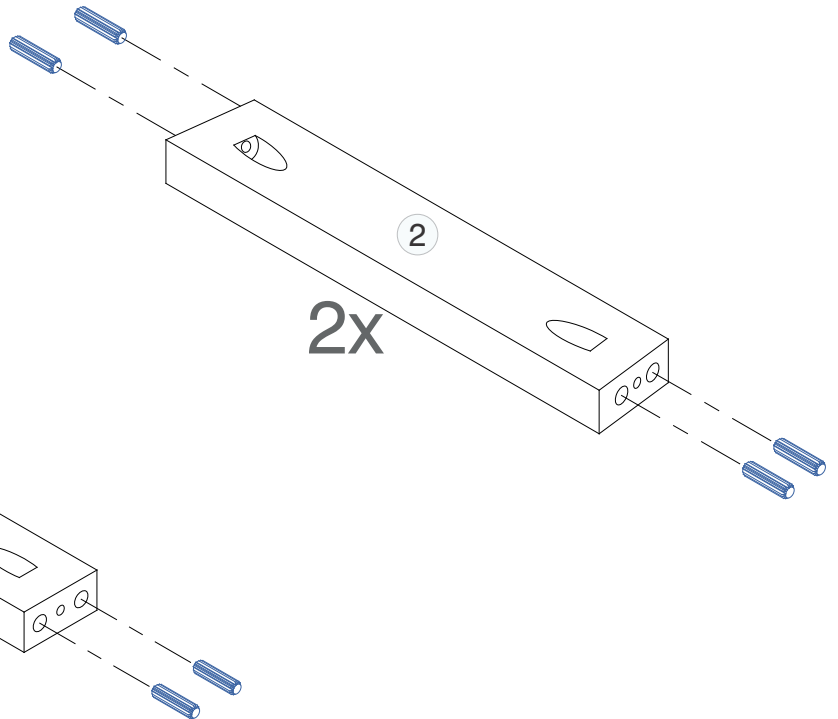
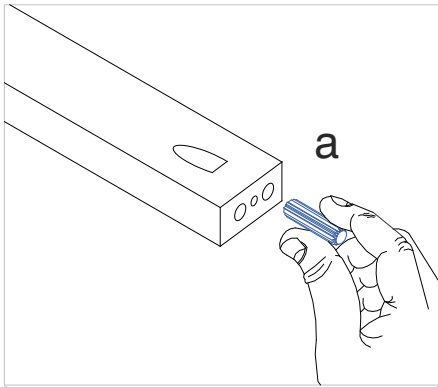
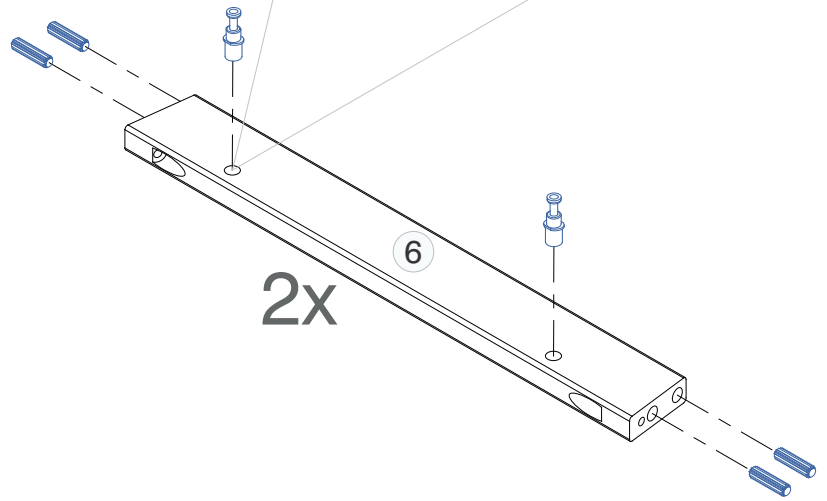
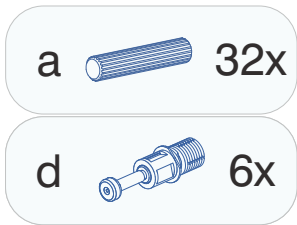
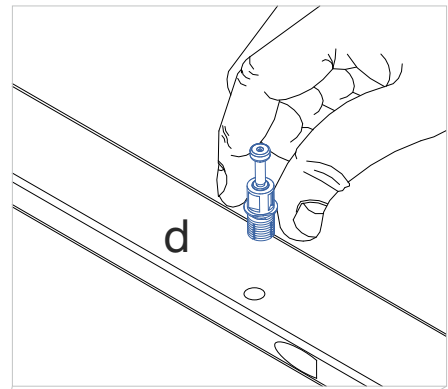
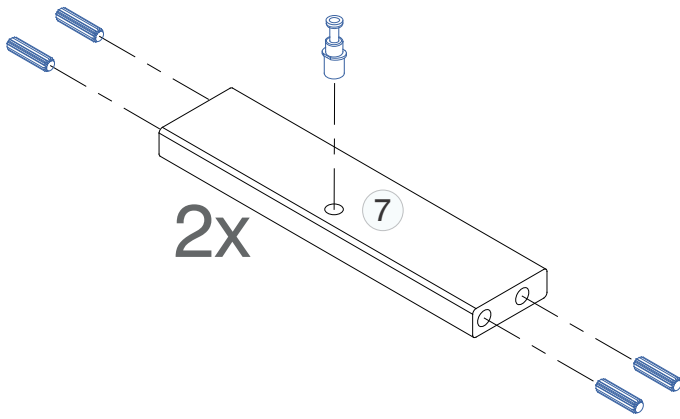
6

7

8

9

10



1

2

3

4

5

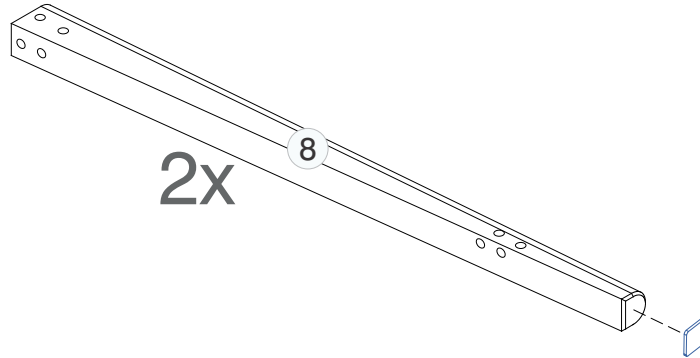
6

7

8

9

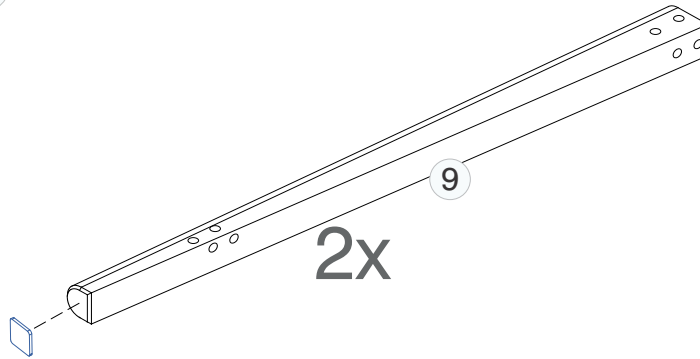
10



f



4x



1

2

3

4

5

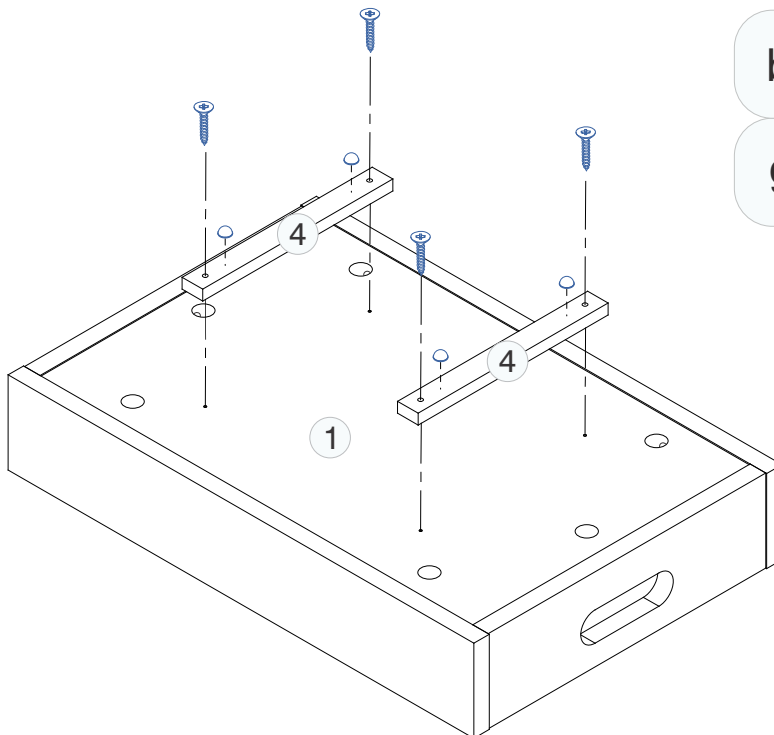
6

7

8

9

10



b



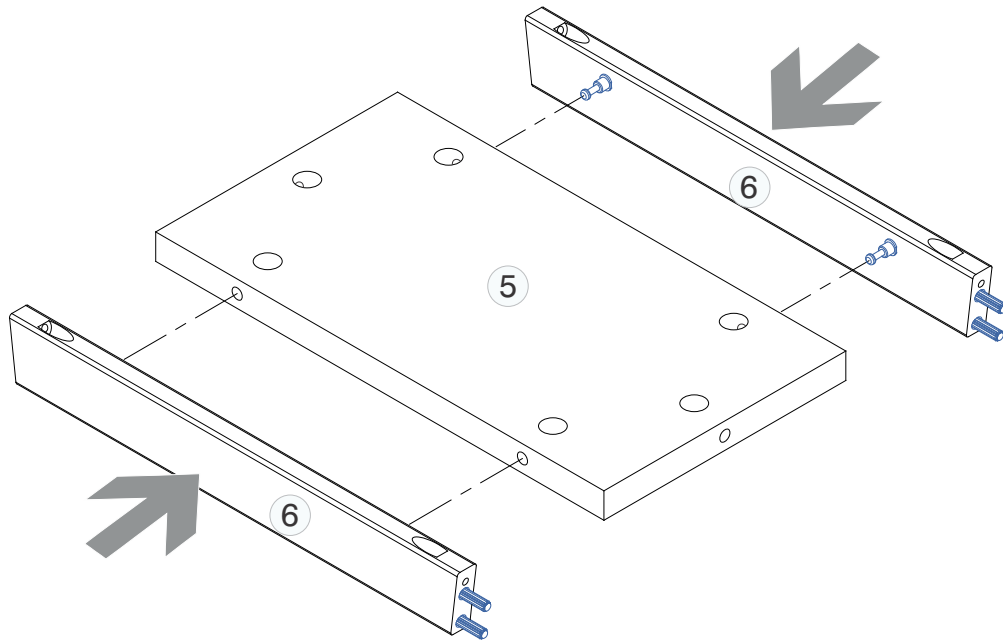
4x

g

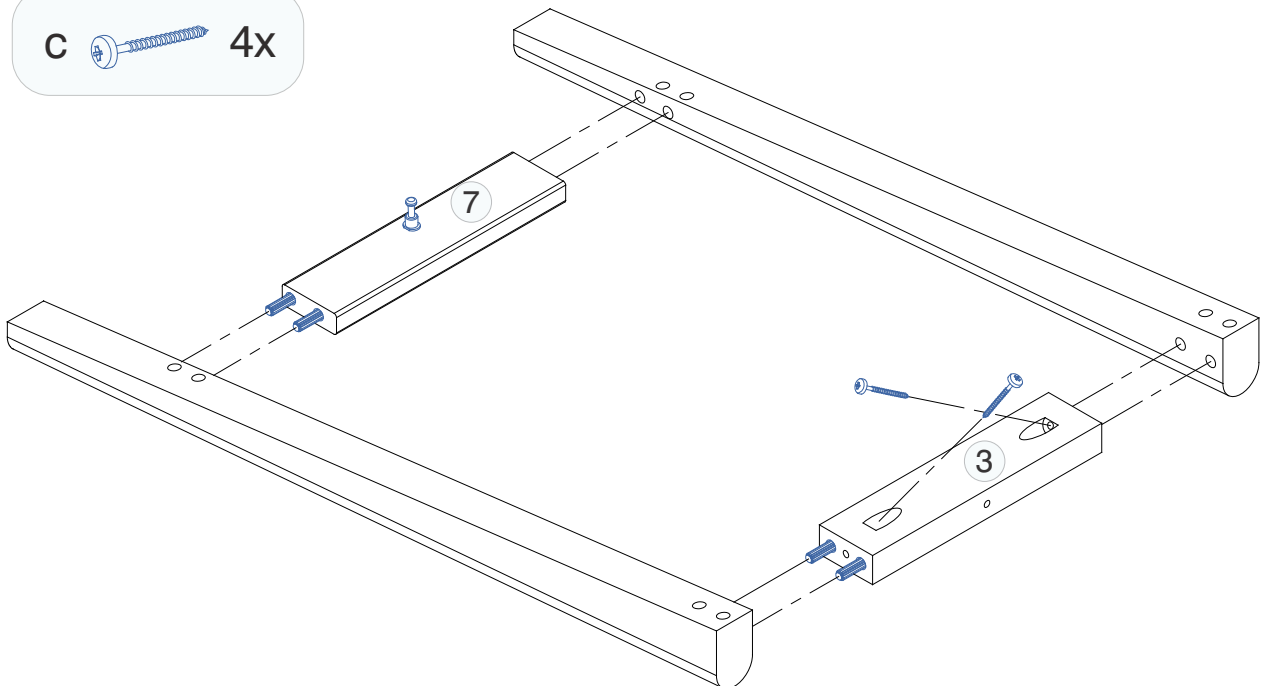
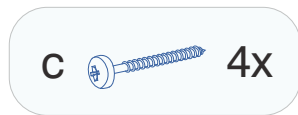


4x

1 2 3 4 5 6 7 8 9 10



1 2 3 4 5 6 7 8 9 10



1

2

3

4

5

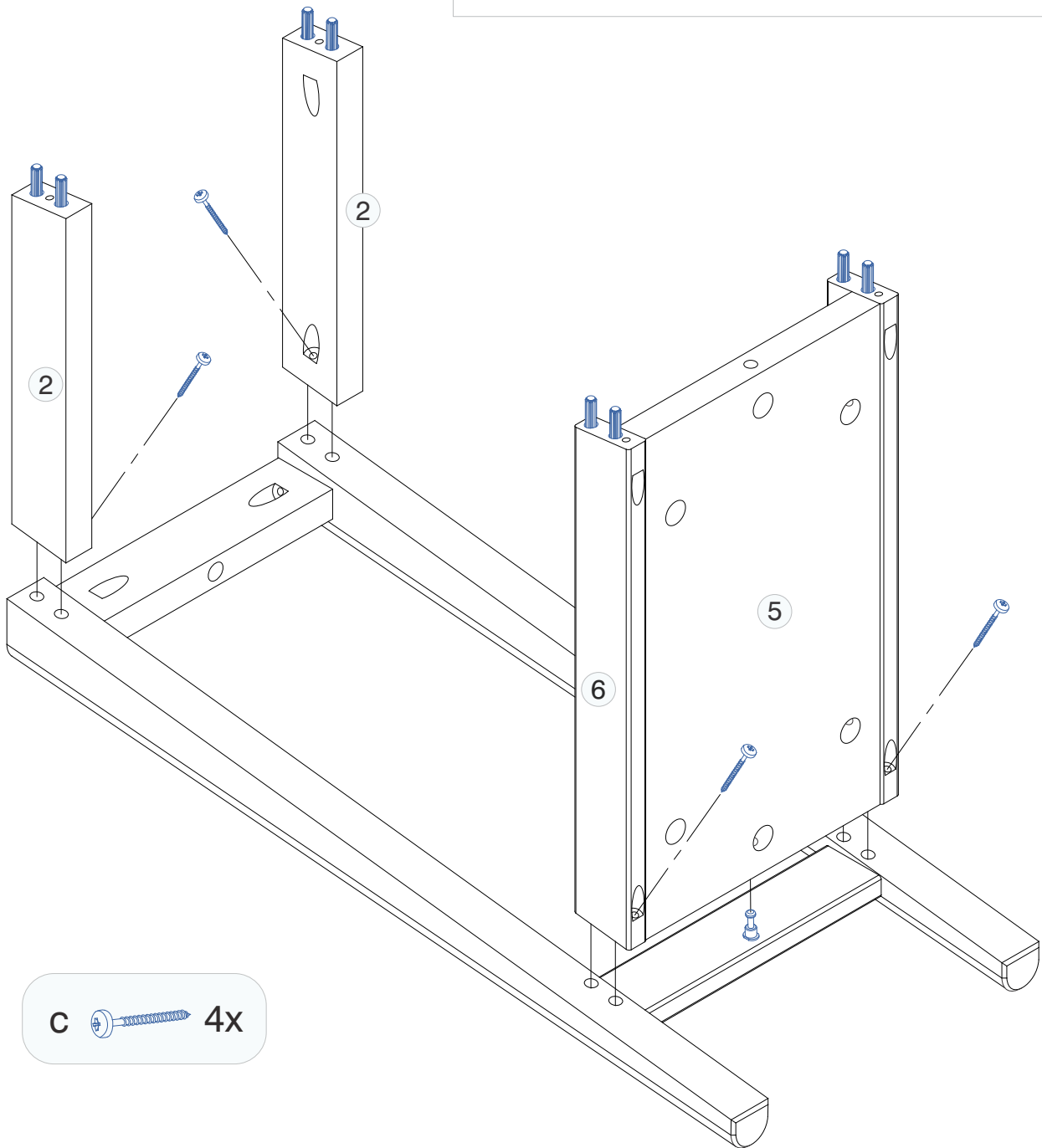
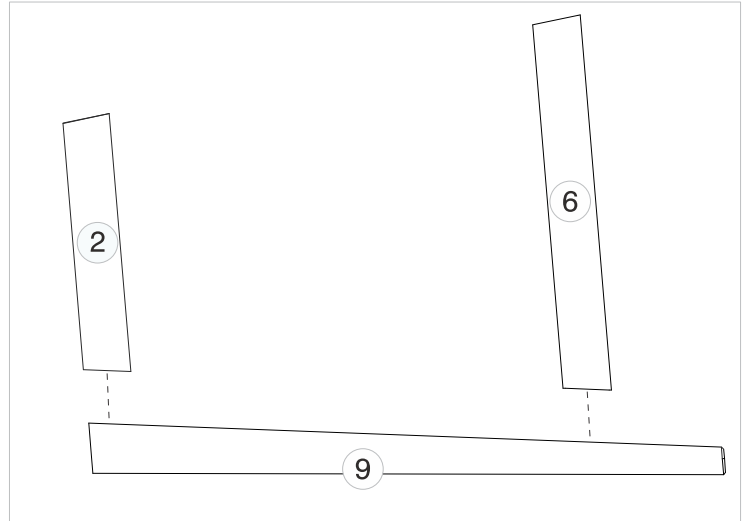
6


7

8

9


10

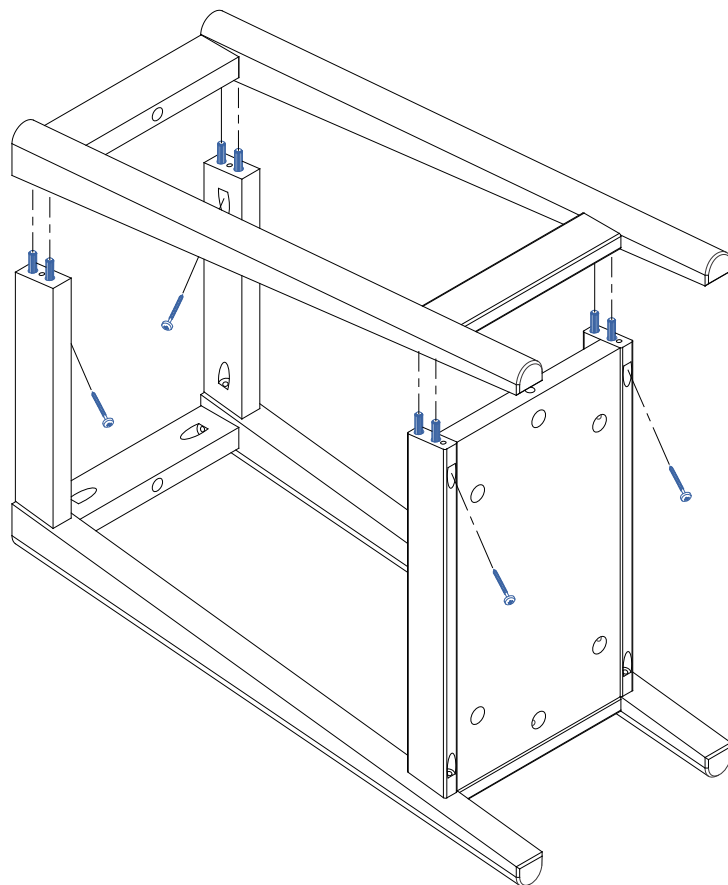


**C**  **4x**



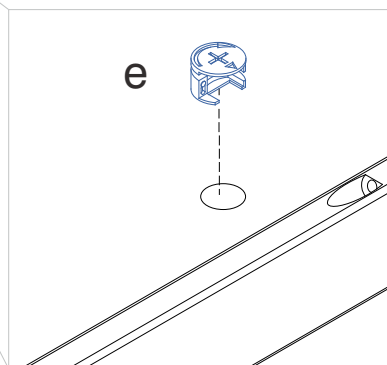
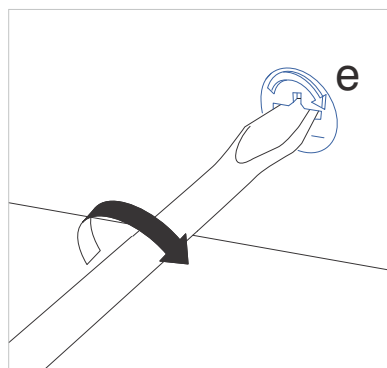
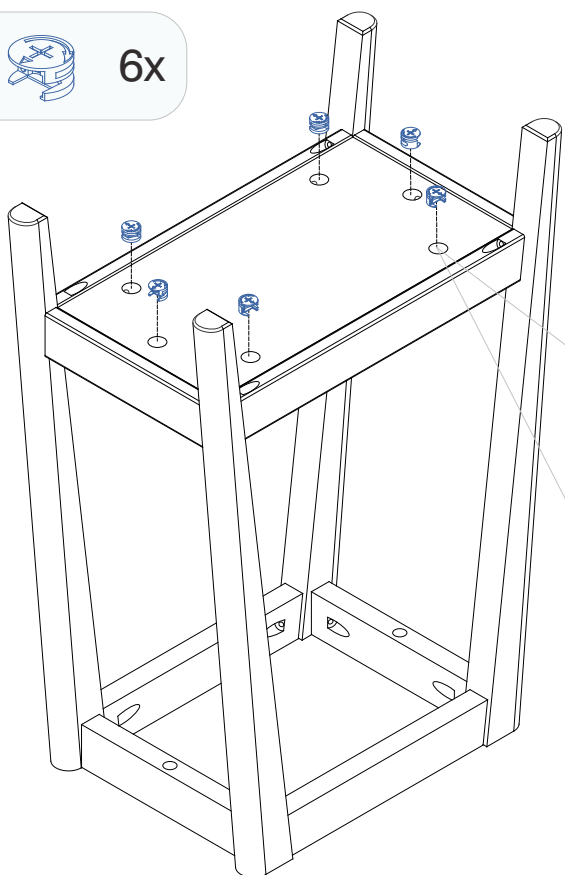
1 2 3 4 5 6 7 8 9 10

c  4x



1 2 3 4 5 6 7 8 9 10

e  6x



1

2

3

4

5

6

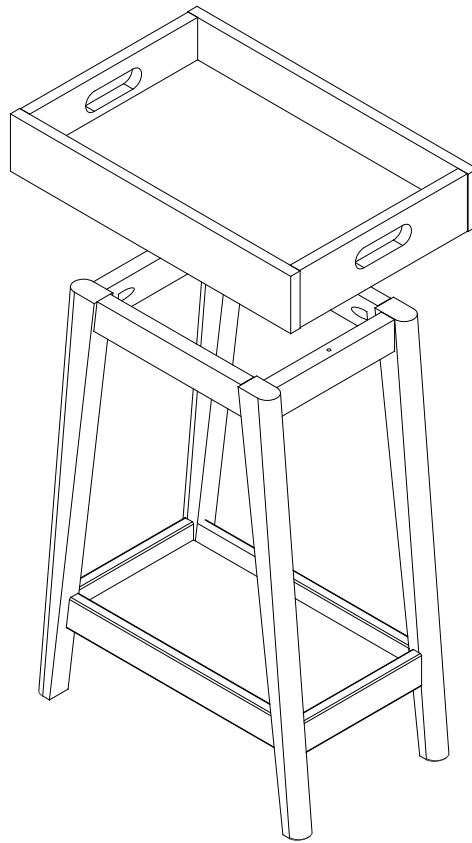
7

8

9

10

Mobile Tray  
Plateau Mobile



1

2

3

4

5

6

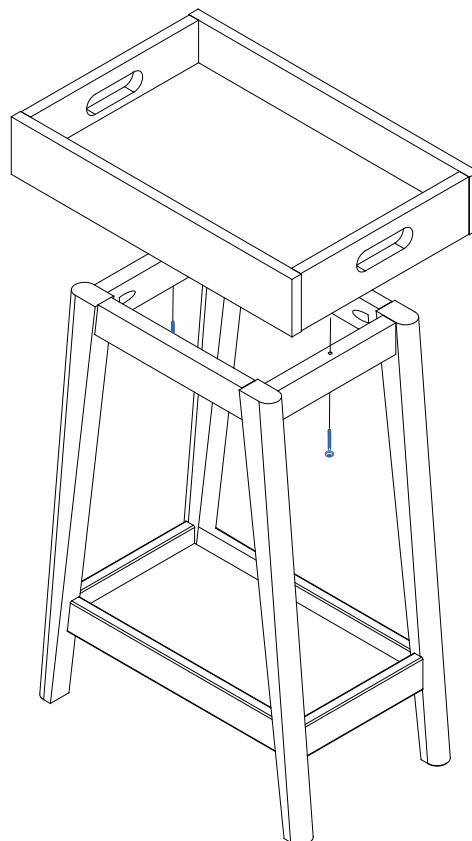
7

8

9

10

Fixed Tray  
Plateau Fixe



C  2x



