



# SAMBA

## shelf

### ASSEMBLY INSTRUCTIONS



**assembling**  
1 person



**time**  
approximately 30 minutes



**tools**  
philips screwdriver, rubber hammer

[www.simplynursery.com](http://www.simplynursery.com)

Manufacturer Móveis Caftor Ltda. Rio Negrinho/SC - Brazil - 89295-000.

Distributed in the USA by: SIMPLY NURSERY, LLC. Orlando/Florida - 32819 - United States - 1-888-343-0730

## Warnings

- Read all instruction before using the product. Keep the instructions for future use.
- Do not throw away packaging material until assembly is complete.
- Assemble the item on a soft surface, such as cardboard or an old blanket in order to protect the finish from possible dents or scratches.
- Lay out the parts in order and count them twice. In case any parts are missing or damaged, document the problem with pictures and send an email to our customer service at [help@simplynursery.com](mailto:help@simplynursery.com).
- Solid wood furniture may present imperfections such as wood knots, minor splits or cracks which are a natural aspect of the material.
- It is the best to use the tools provided in the box, such as a hex key, because they may be specially sized for the piece of furniture.
- We do not recommend the use of power drills as they can damage the piece if not used correctly.
- We are here to assist if you have any issue, please go to [simplynursery.com/pages/contact-us](https://www.simplynursery.com/pages/contact-us) or email us at [help@simplynursery.com](mailto:help@simplynursery.com).

## Care and Cleaning

To remove accumulated dust of your wood product use a soft, lint-free cloth. For a deeper cleaning use a soft lint-free cloth which has been dampened on a solution of neutral detergent and warm water. Do not use oily products, abrasives, amonia, or other aggressive products of cleaning.

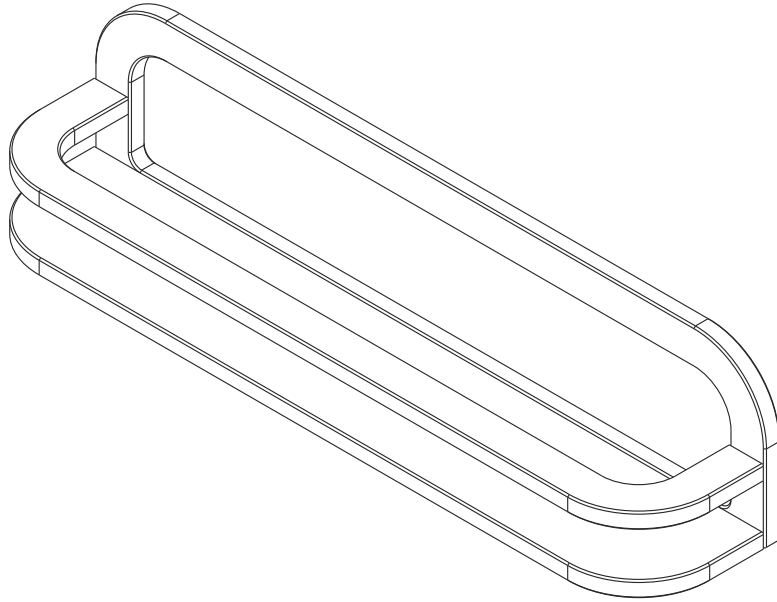
## Prevention

How to prevent your wood furniture from warping, cracking or dying out:

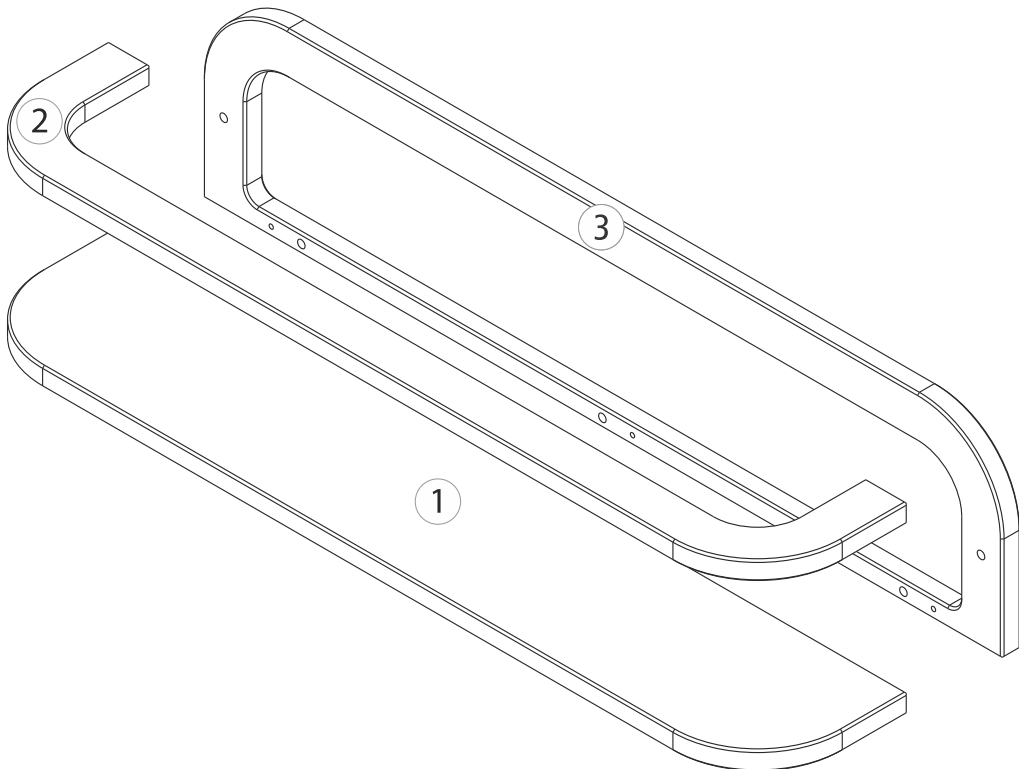
- Keep moderate temperatures (70°F - 72°F) and humidity around 50% - 55% in your home set.
- Ensure your humidifier is working properly.
- Avoid recurrent and/or sudden variation in humidity.
- Place your wood furniture away from heat sources, for example, but not limited to fireplaces or radiators.
- Keep your furniture away from direct sunlight.
- Use a dehumidifier during rainy seasons to remove excess moisture from the air.

# SAMBA

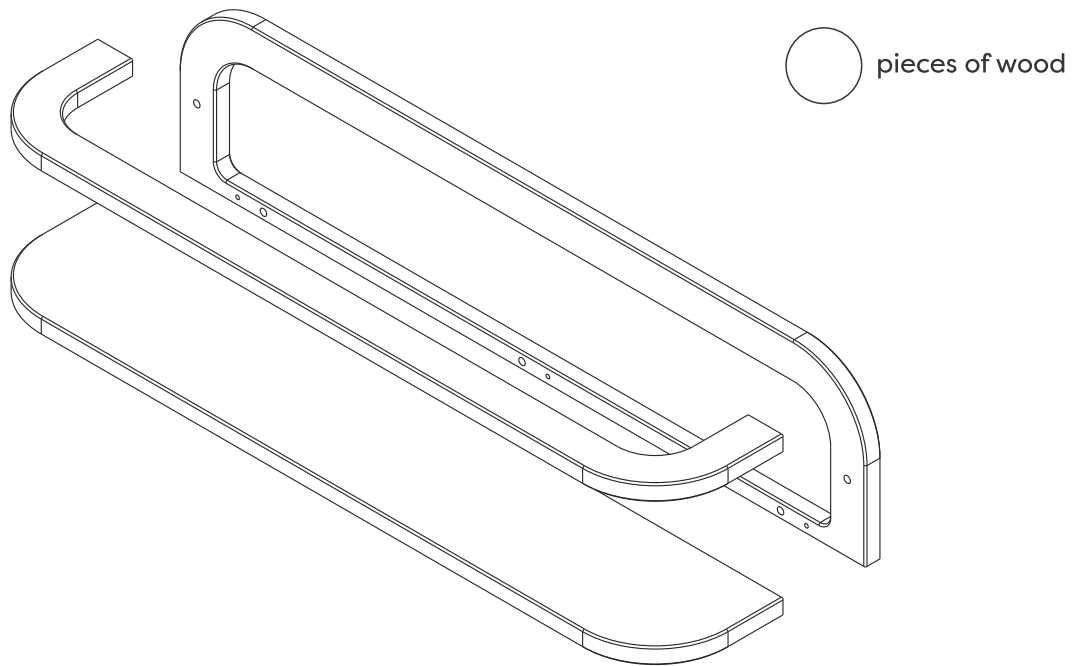
shelf



## Parts

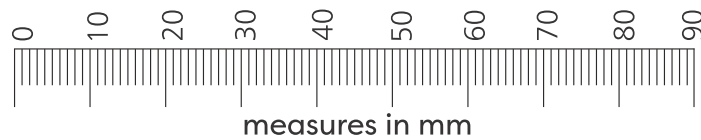


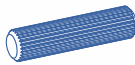


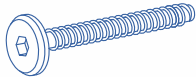
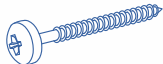
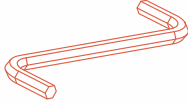


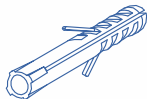
# Material



# Hardware Set

Use the ruler below to measure the hardware:



a	 Ø 8 x 30	3 pcs	f	 Ø 4 x 40	3 pcs
b	 Ø 3.5 x 16	4 pcs	g	 Ø 7 x 50	2 pcs
c	 Ø 4 x 50	2 pcs	h		1 pcs
d		2 pcs	i		4 pcs
e		2 pcs			

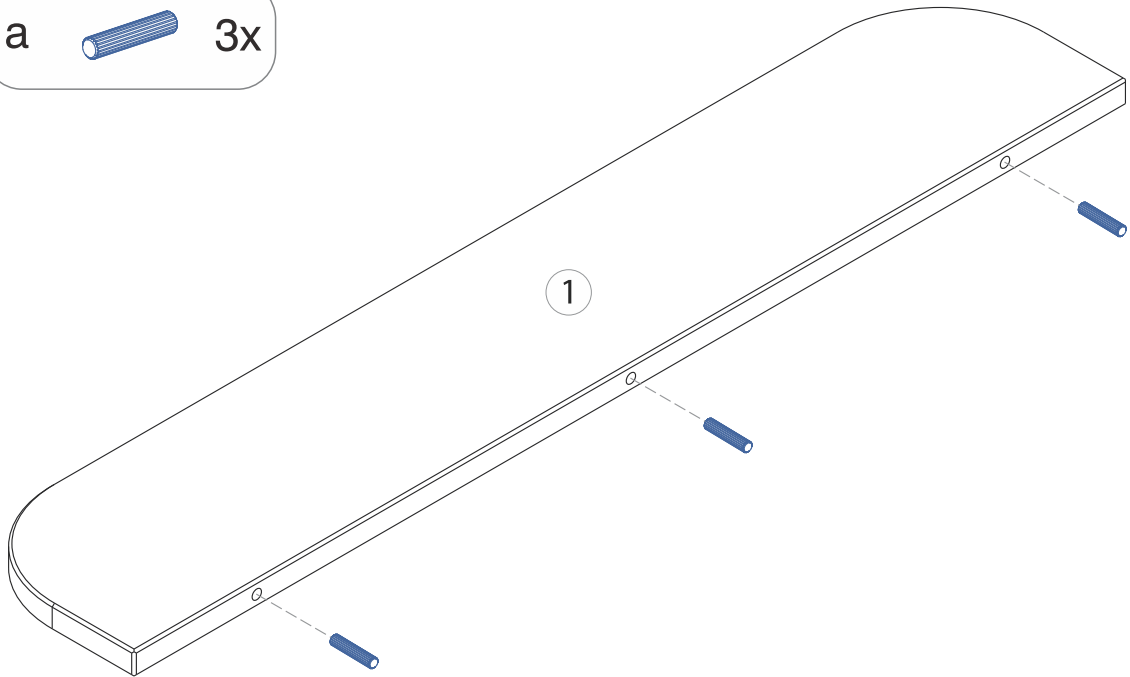
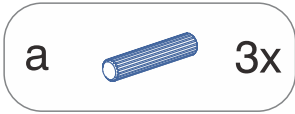
1

2

3

4

5



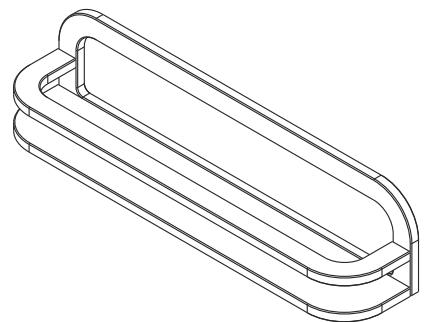
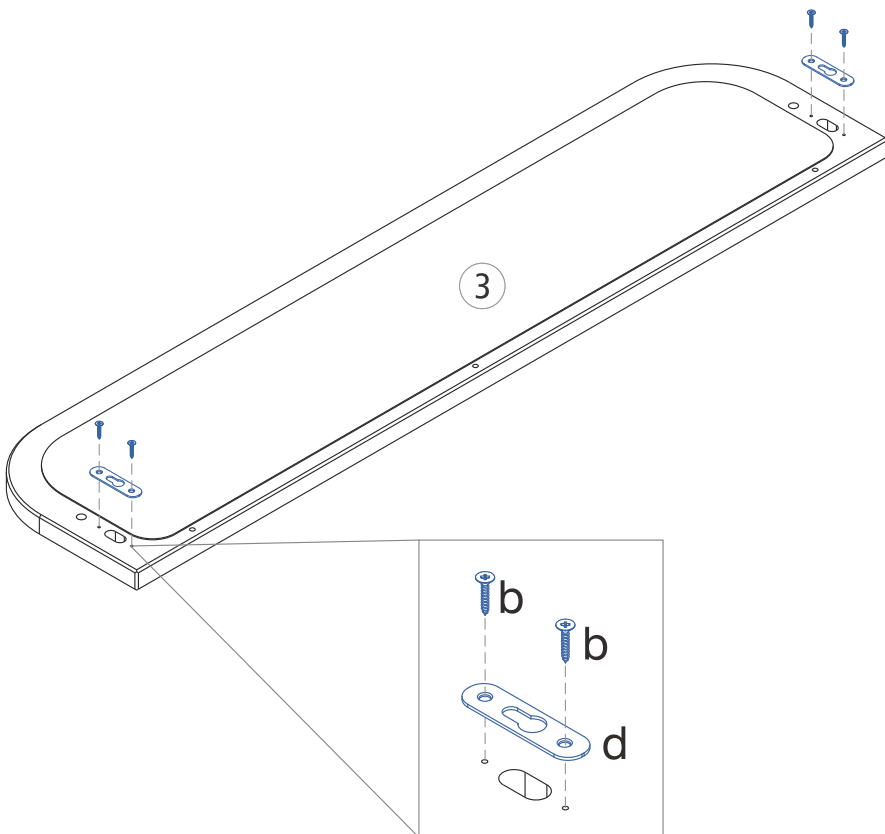
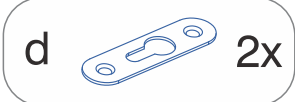
1

2

3

4

5



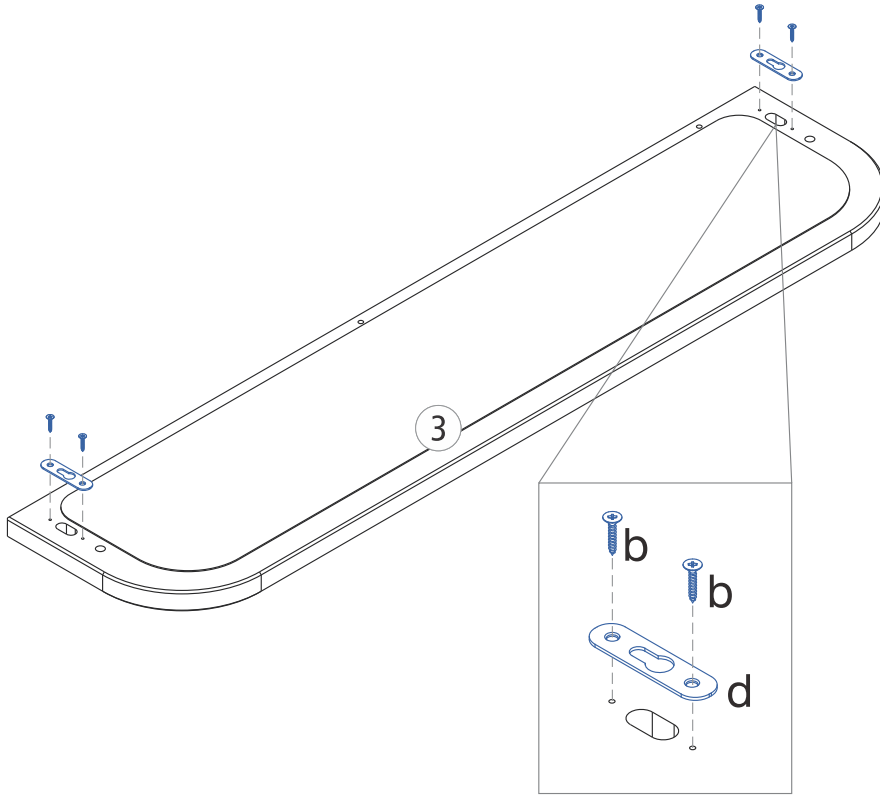
1

2

3

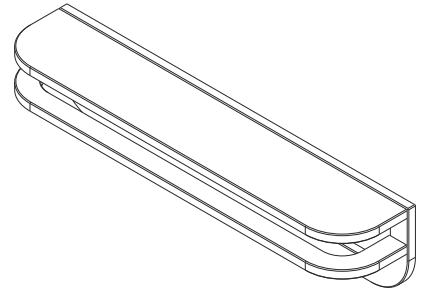
4

5



b  4x

d  2x



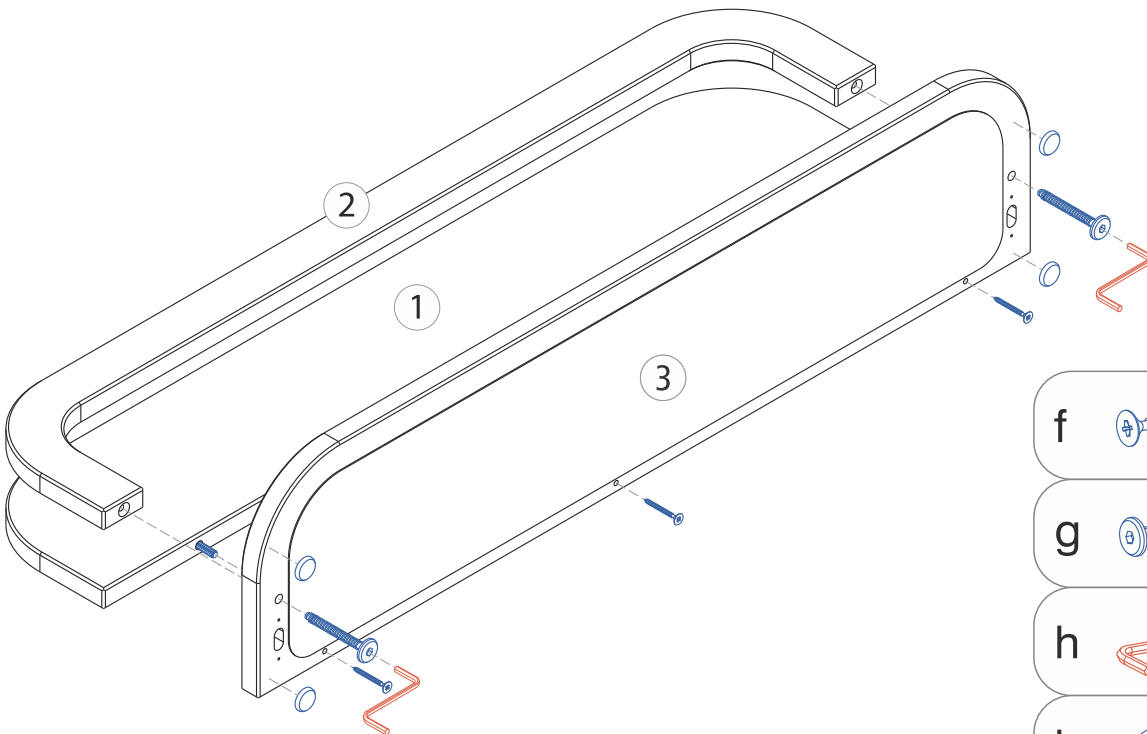
1

2

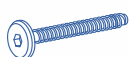
3

4

5



f  3x

g  2x

h  1x

i  4x

1

2

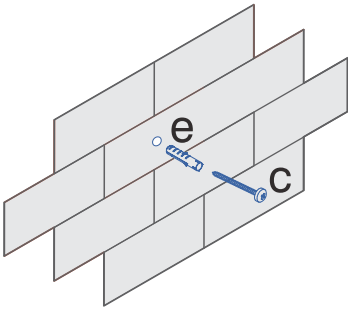
3

4

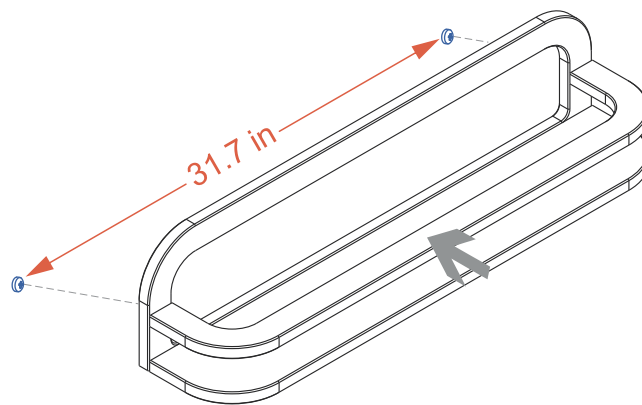
5

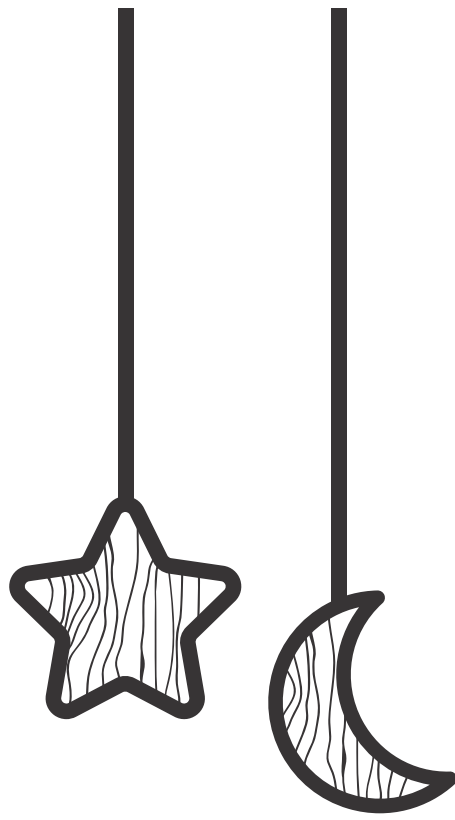
c  2x

e  2x



With a pencil, mark the position to be drilled in the wall, then drill the wall and place the hardware 'e' with a rubber hammer.





[www.simplynursery.com](http://www.simplynursery.com)  
[contact@simplynursery.com](mailto:contact@simplynursery.com)