



**SIMPLY
NURSERY**

RETRO SIDE TABLE

ASSEMBLY INSTRUCTIONS INSTRUCTIONS D'ASSEMBLAGE

**Model / Modèle: 1118.015.0002
Lot #: 19/0020**



assembling / assemblage
1 person / 1 personne



time / temps
approximately 40 minutes / environ 40 minutes



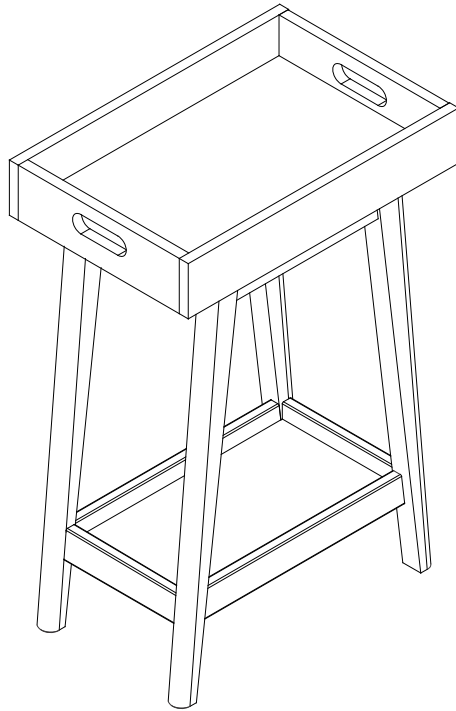
tools / outils
philips screwdriver, rubber hammer /
tournevis cruciforme, marteau en caoutchouc

www.simplynursery.com

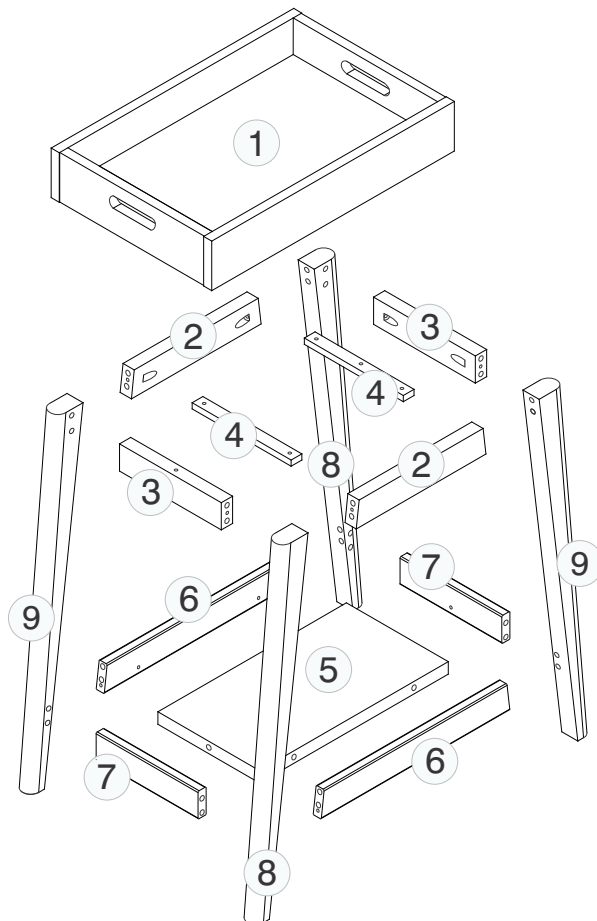
Manufacturer Móveis Caftor Ltda. Rio Negrinho/SC - Brazil - 89295-000.
Fabricant Móveis Caftor Ltda. Rio Negrinho/SC - Brésil - 89295-000.

Distributed in the USA by: TULIPAKIDS, LLC. Orlando/Florida - 32809 - United States - 1-888-343-0730
Distribué aux États-Unis par: TULIPAKIDS, LLC. Orlando/Florida - 32809 - United States - 1-888-343-0730

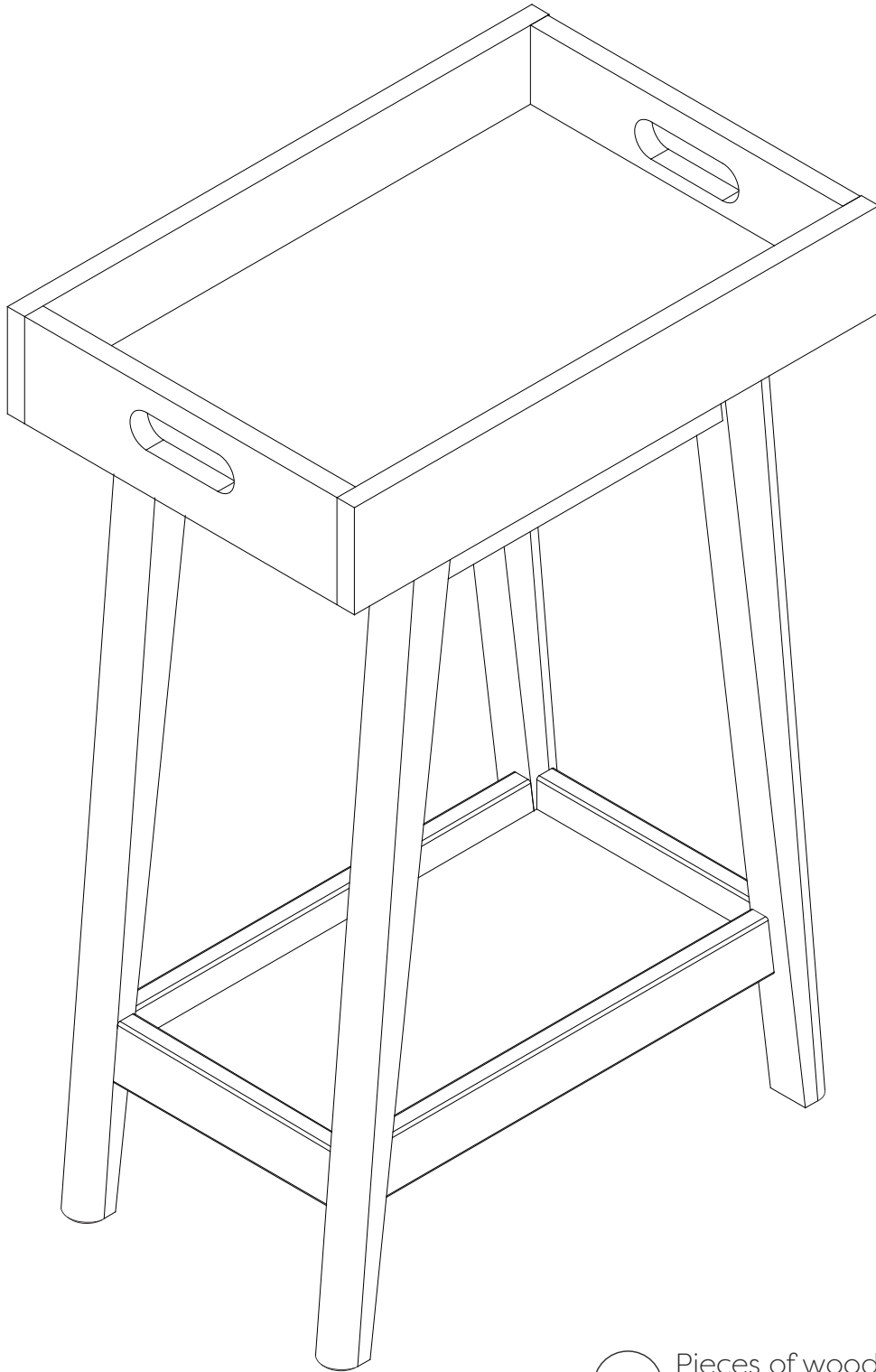
RETRO SIDE TABLE



Parts Pièces



Finish Fini

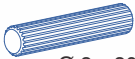


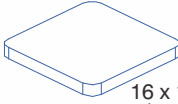
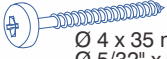

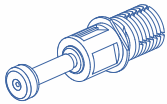


○ Pieces of wood
○ Morceaux de bois

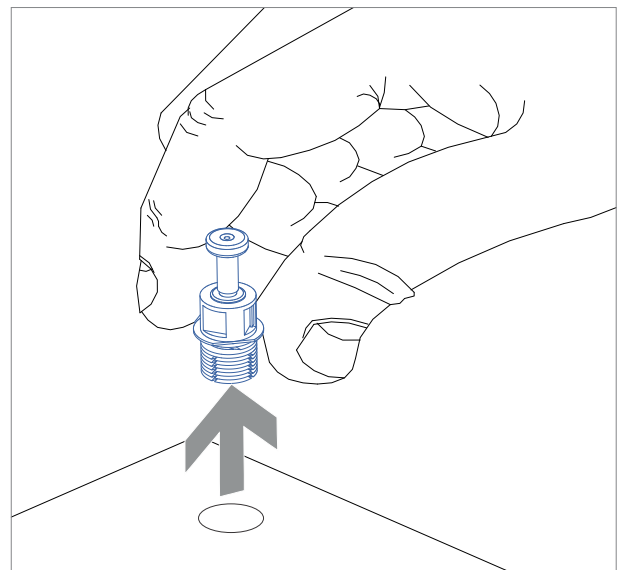
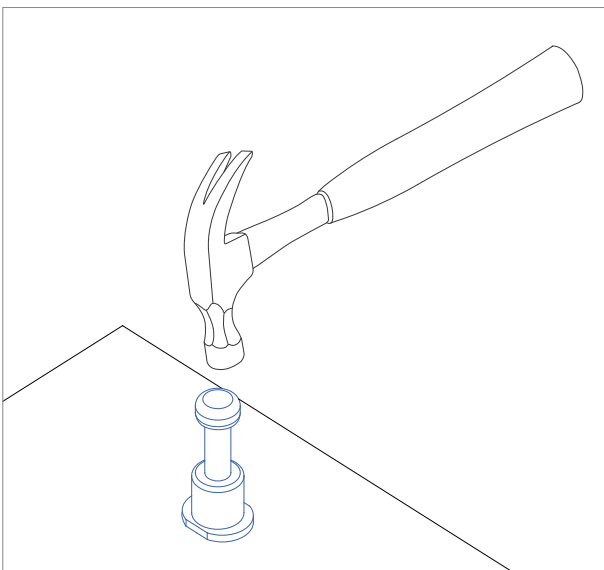
Hardware Set

Accessoires de Montage

The hardware set of assembling are inside of the box.
 Les accessoires de montage se trouve à l'intérieur de la boîte.

a	 $\varnothing 8 \times 30 \text{ mm}$ $\varnothing 5/16'' \times 1-3/16''$	32 pcs	e		6 pcs
b	 $\varnothing 3,5 \times 20 \text{ mm}$ $\varnothing 9/64'' \times 25/32''$	4 pcs	f	 $16 \times 16 \text{ mm}$ $5/8'' \times 5/8''$	4 pcs
c	 $\varnothing 4 \times 35 \text{ mm}$ $\varnothing 5/32'' \times 1-3/8''$	14 pcs	g		4 pcs
d		6 pcs			

Removing cam bolt Enlèvement le boulon de came



1

2

3

4

5

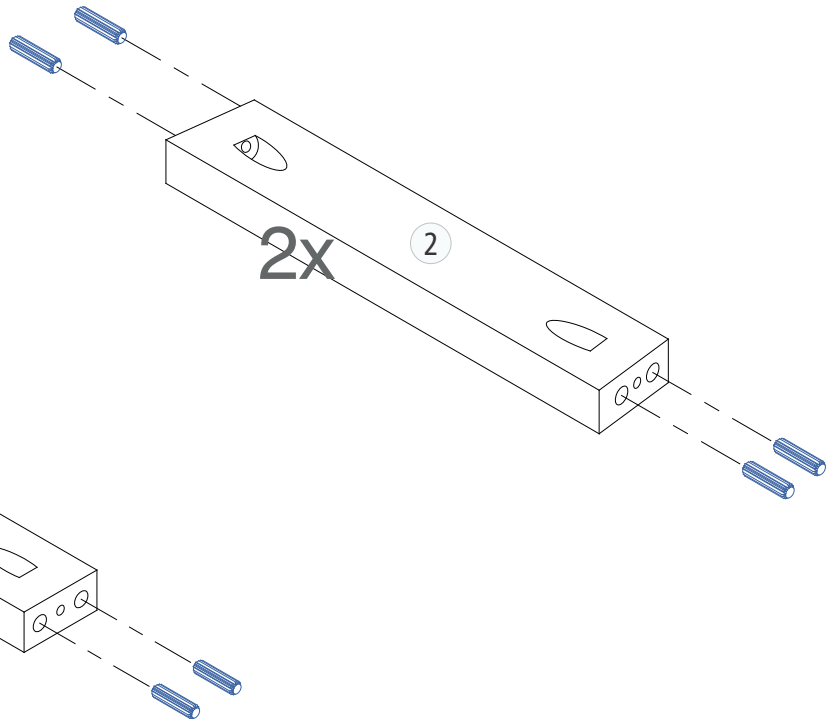
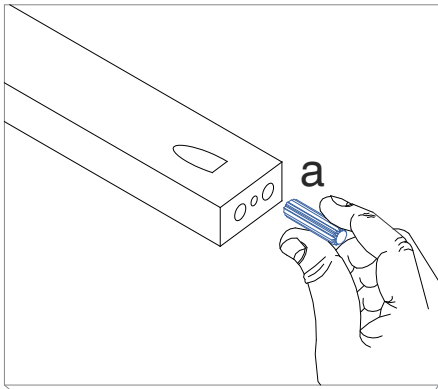
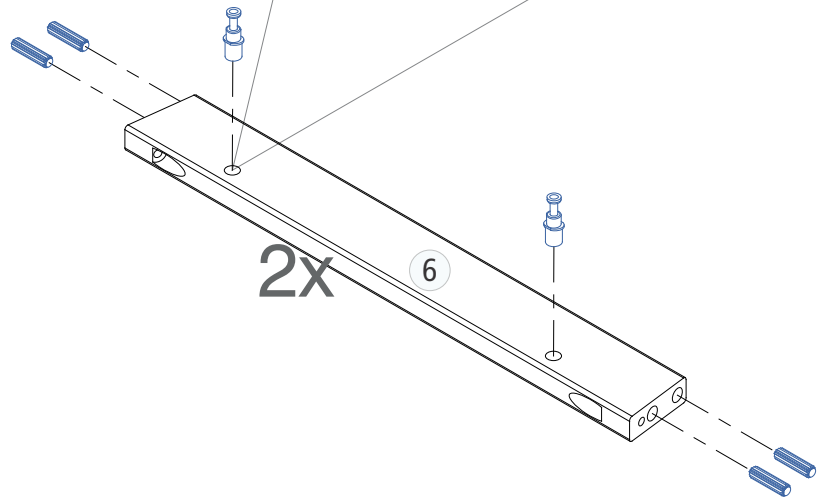
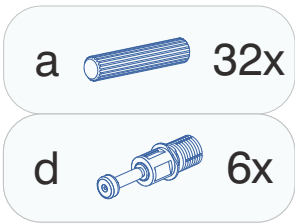
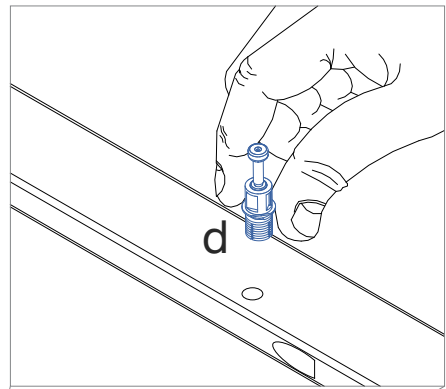
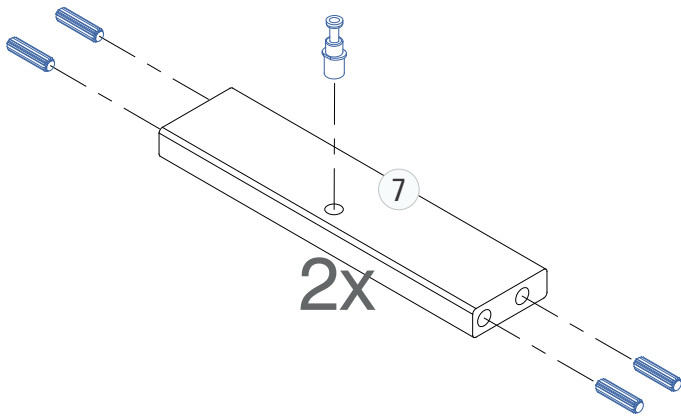
6

7

8

9

10



1

2

3

4

5

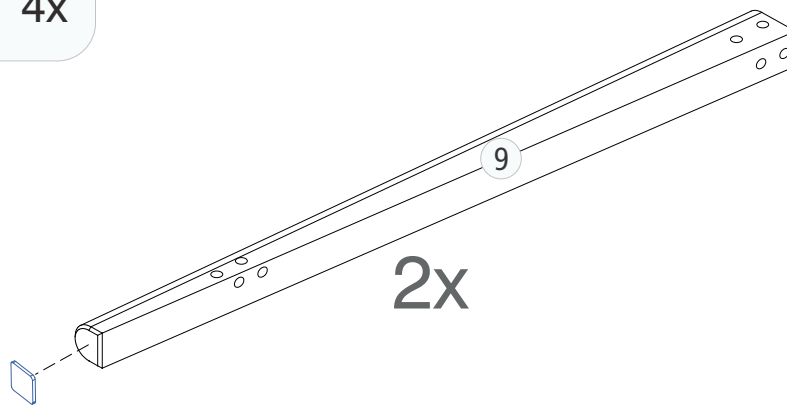
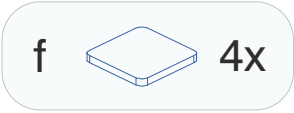
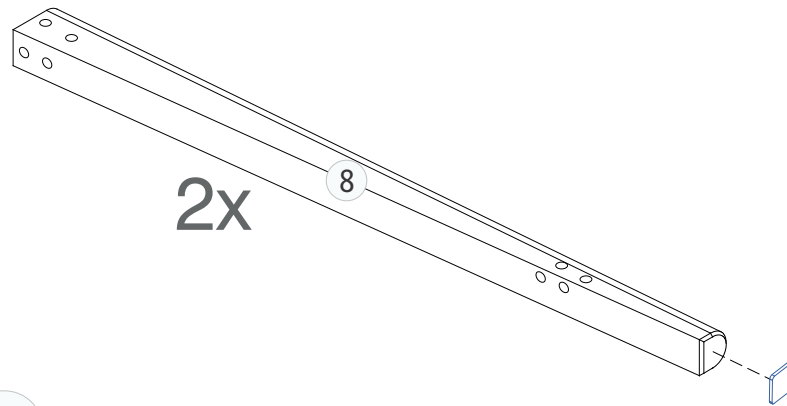
6

7

8

9

10



1

2

3

4

5

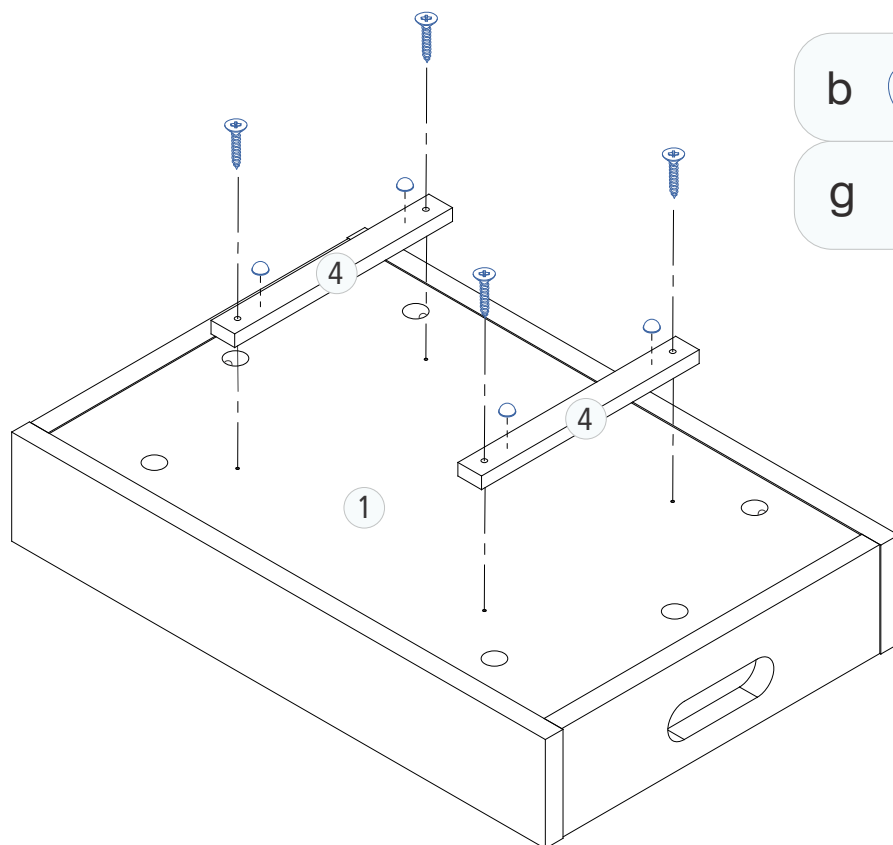
6

7

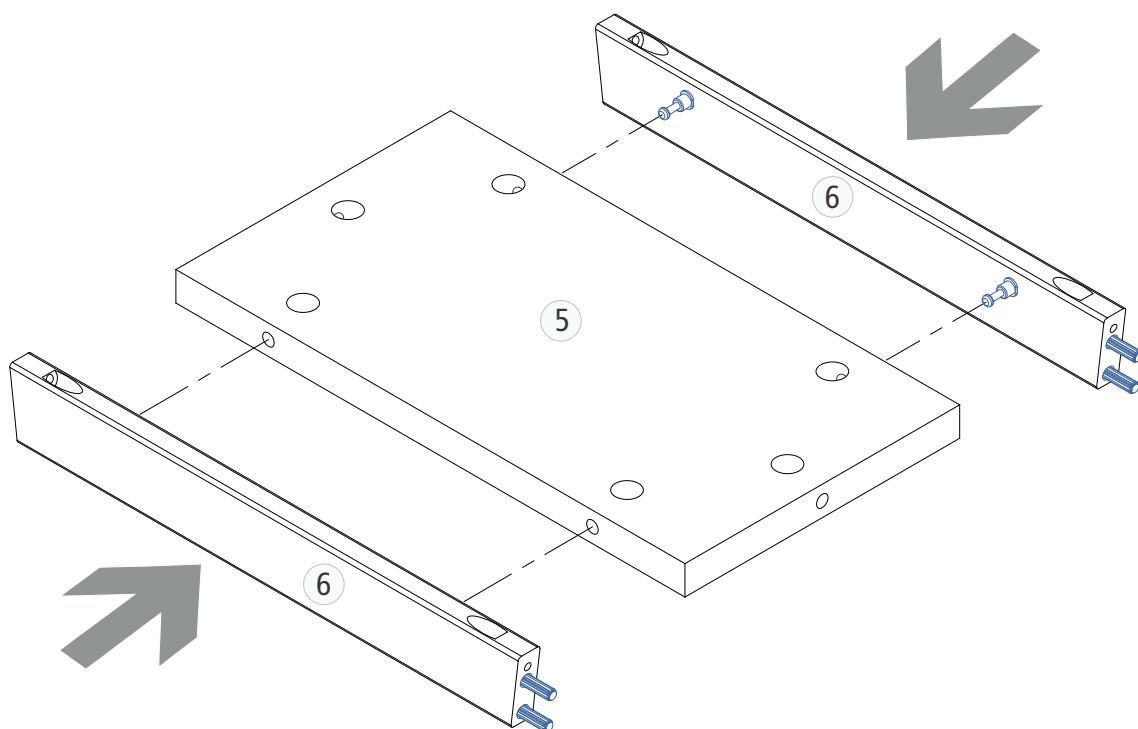
8

9

10

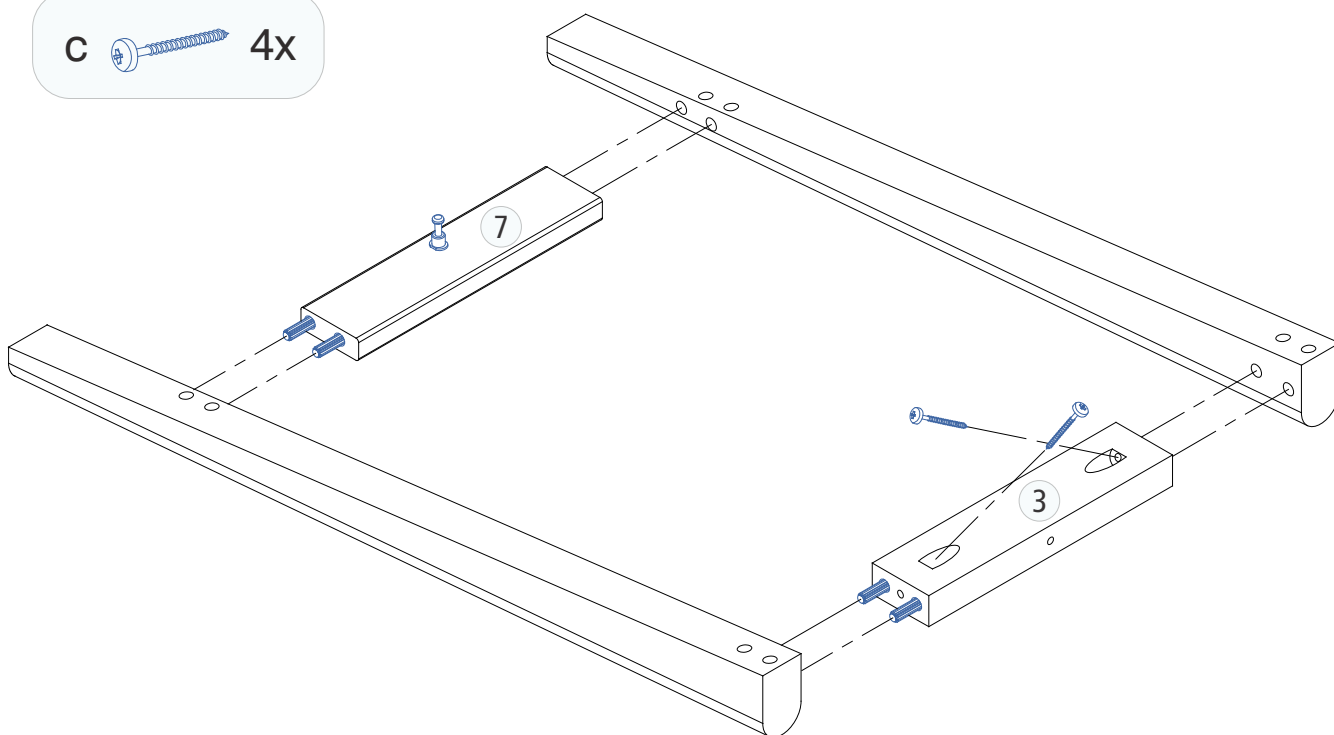


1 2 3 4 5 6 7 8 9 10



1 2 3 4 5 6 7 8 9 10

C  4x



1

2

3

4

5

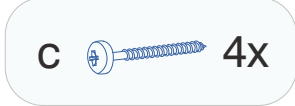
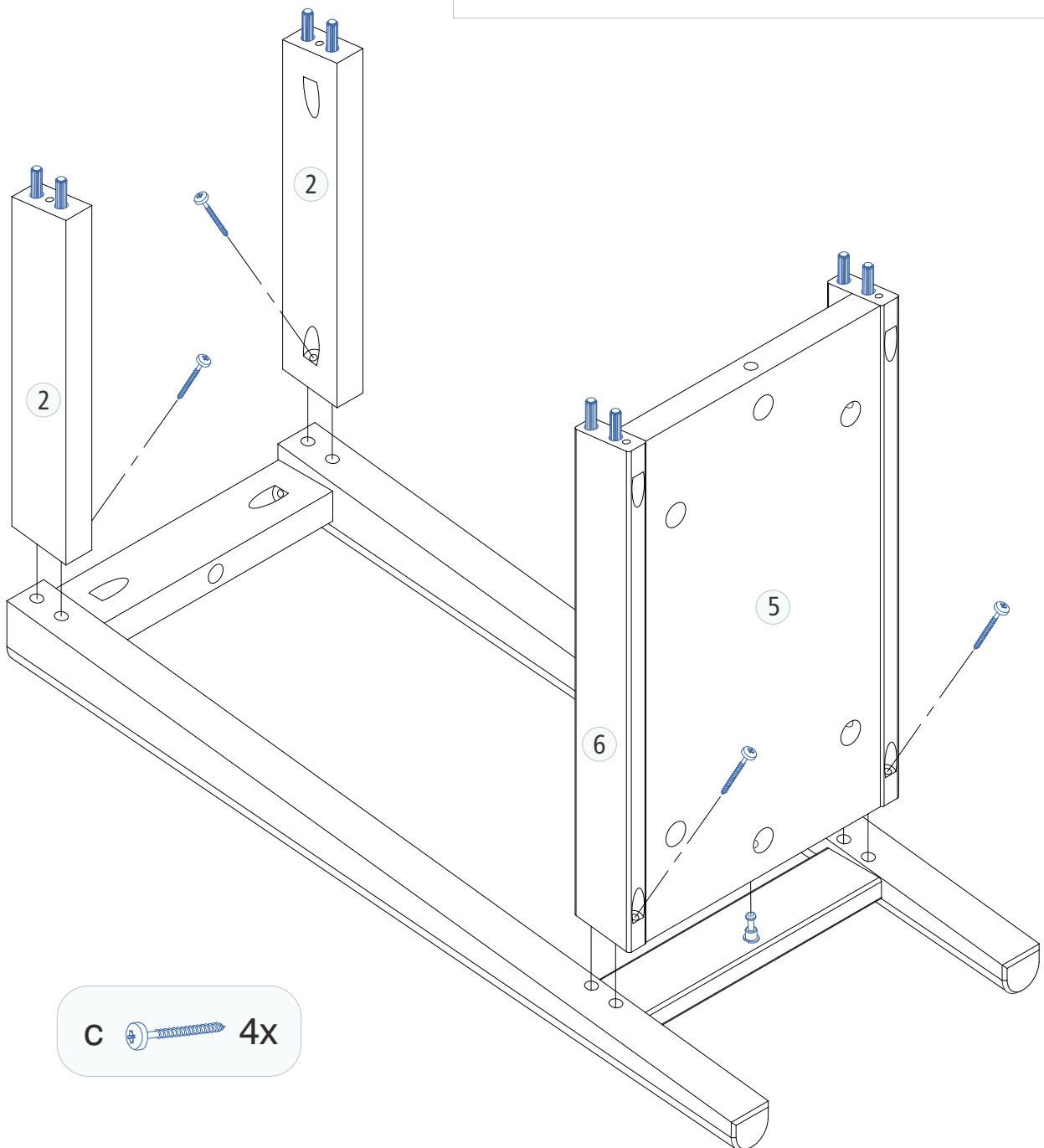
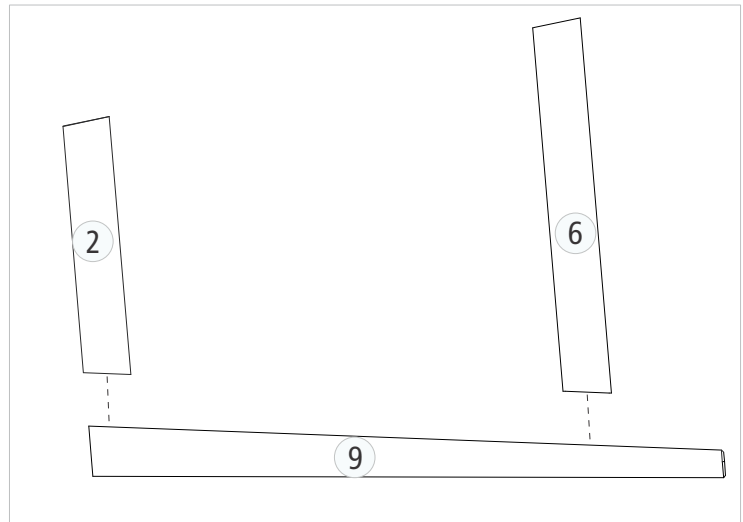
6

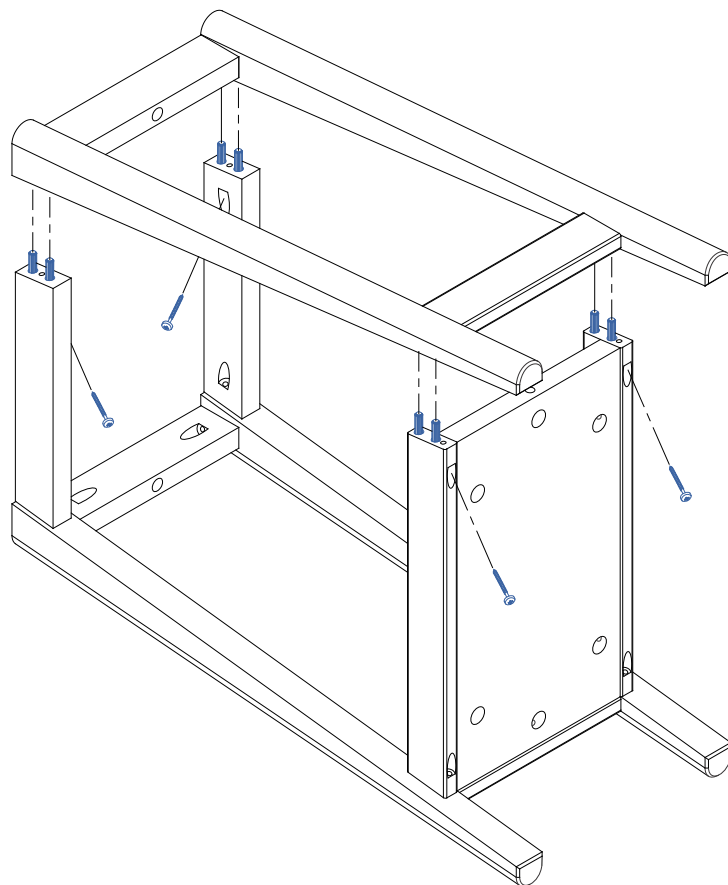
7


8

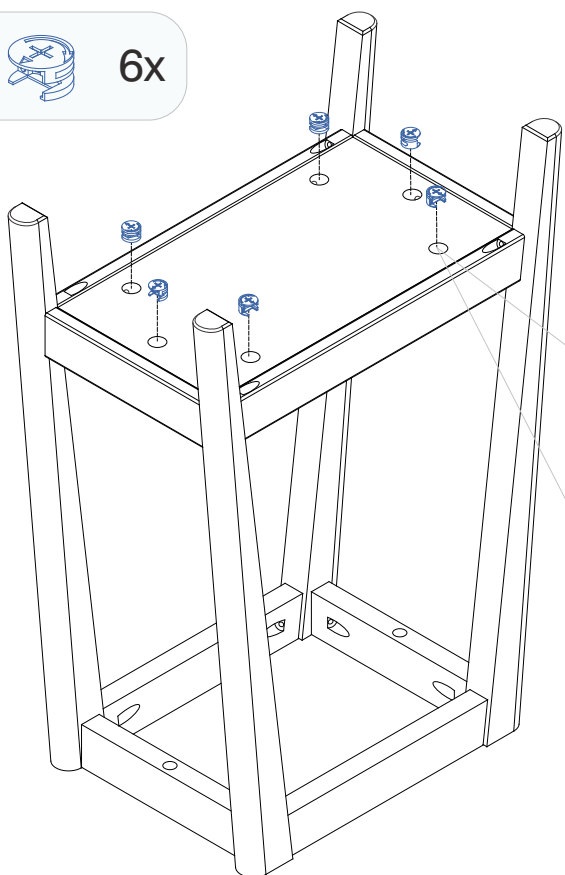
9

10

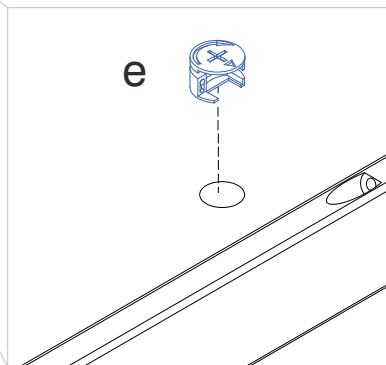
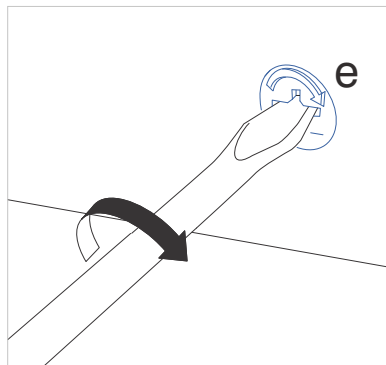




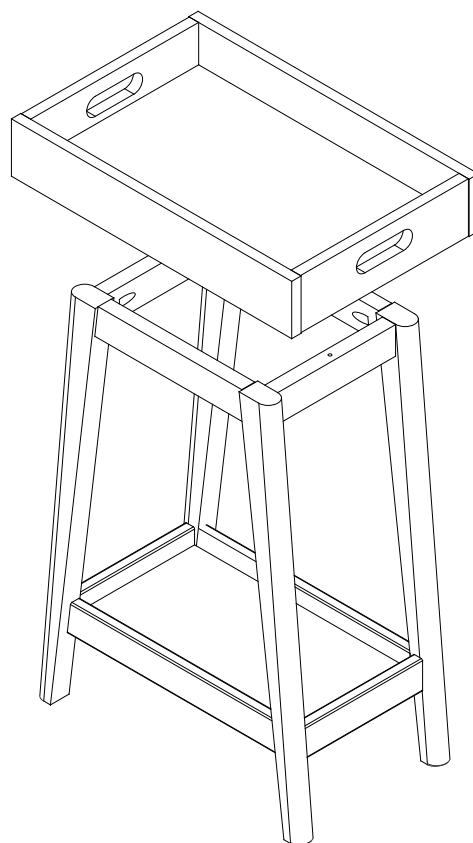
c  4x



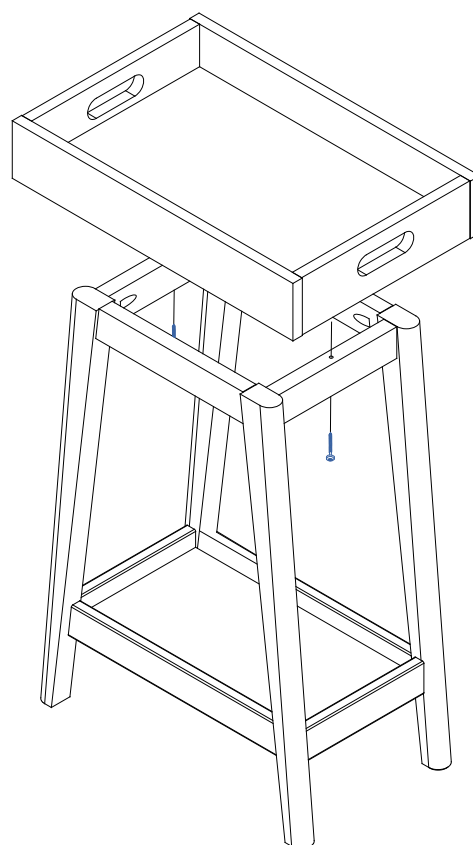
e  6x



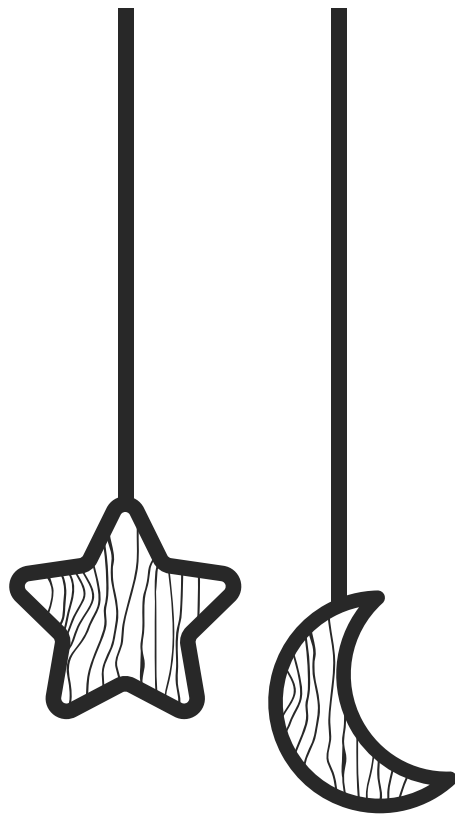
Mobile Tray
Plateau Mobile



Fixed Tray
Plateau Fixe



C  2x



www.simplynursery.com
contact@simplynursery.com